

Catalogue No: **GH15-T22**
AUXILIARY CONTACT 2NO 2NC TOP MOUNT

Motor Control and Drives > Motor Starting and Protection > Contactors > Ghisalba Contactors > Accessories for Ghisalba contactors > GH15 Accessories



Auxiliary Contact, Top Mount, 2x N/O 2x N/C, to suit GH15

- Various contactor families, providing a wide variety of contactor sizes, offering economy and selection

Representative Photo Only
 (actual product may vary based on configuration selections)

SPECIFICATIONS

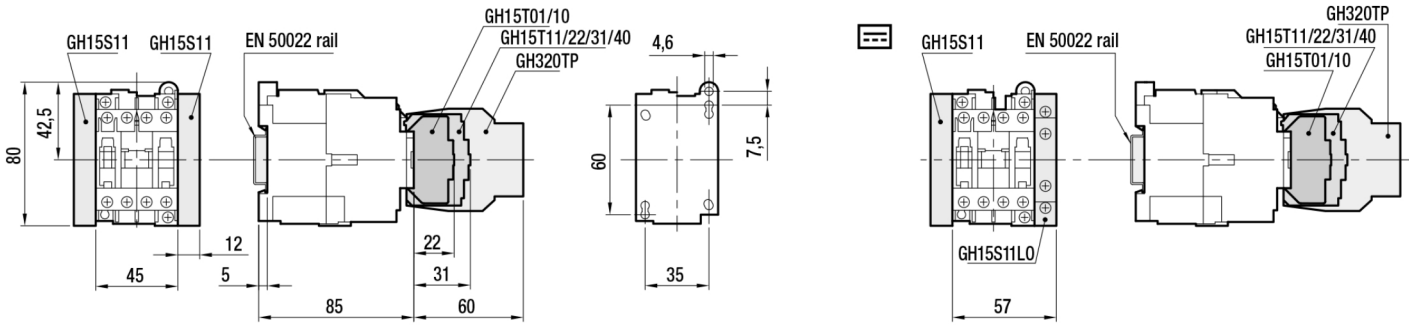
Product Series	GH15
Component Type Motor Control and Drives	Accessory
Contactors Accessory / Spare Part Type	Auxiliary Contact
Contact Configuration	2 NO + 2 NC
Fuse Characteristic Type(s)	gG/gN
Orientation, Mounting	Top orientation
Ui, Rated Insulation Voltage	690 V (rms)
Ith, Thermal Current, Open	10 A
Current, Overload Capacity, 0.5s	0.06 kA
Wire / Conductor Size (Max)	1.5 mm ²
Compatible Product Series'	GH15
Weight	0.05 kg
Certifications	C-UL-US CSA

REFERENCES

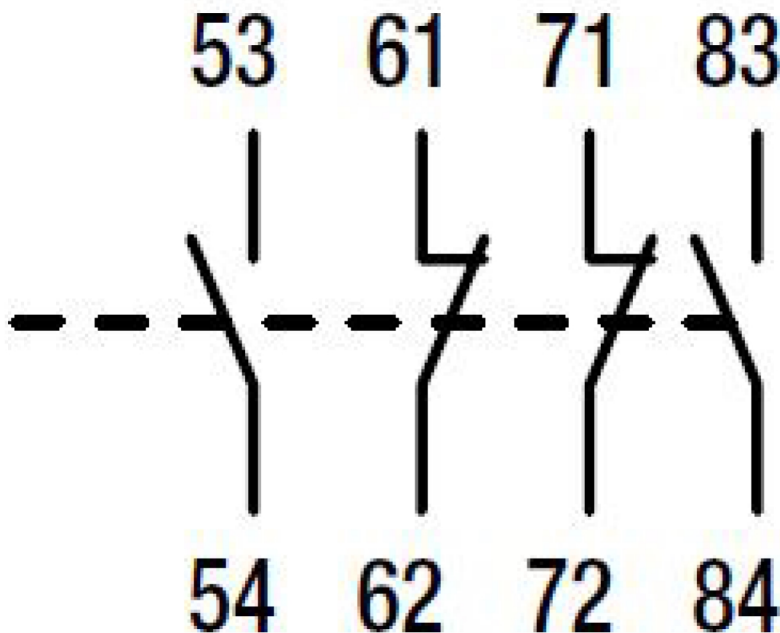
IECEX Certificate	-
Supplier Declaration of Conformity:	-
Installation Guide:	-
User Manual:	-
Manufacturer Datasheet:	GH15T22_Manufacturer Datasheet
Manufacturer Catalogue & Product Selection:	-

Catalogue No: **GH15-T22**
AUXILIARY CONTACT 2NO 2NC TOP MOUNT

Motor Control and Drives > Motor Starting and Protection > Contactors > Ghisalba Contactors > Accessories for Ghisalba contactors > GH15 Accessories



Dimension Diagram



Connection / Wiring Diagram