

# Catalogue No: **GH15RT-30-415V**

## CONTACTOR 110kW 3P 380-415V AC COIL

Motor Control and Drives > Motor Starting and Protection > Contactors > Ghisalba Contactors > GH15 Contactor Range > 3 Pole Contactors 11 to 115kW



### Contactor 3 pole 210A 110kW 415V AC/DC Coil

- Various contactor families, providing a wide variety of contactor sizes, offering economy and selection

Representative Photo Only  
(actual product may vary based on configuration selections)

#### SPECIFICATIONS

Component Type Motor Control and Drives	Standard Contactor
Ie, Rated Operational Current, AC-1, 415V, 55°C	350 A@415V,55°C
kW Rating, AC-3, 415V, 55°C	110 kW @415V, 55°C
Ie, Rated Operational Current, AC-3, 415V, 55°C	210 A@415V,55°C
kW Rating, AC-3, 690V, 55°C	132 kW @690V, 55°C
Ie, Rated Operational Current, AC-3, 690V, 60°C	150 A@690V,60°C
Ie, Rated Operational Current, AC-3, 1000V, 60°C	85 A@1000V,60°C
Number of Poles	3
Coil Type	Conventional type
Main Poles	3 N/O
Integrated Aux	6 N/O + 4 N/C
Rated Frequency	50 / 60 Hz
Un, Coil Voltage, AC @50Hz, Min	380 V AC min @50Hz
Un, Coil Voltage, AC @50Hz, Max	415 V AC max @50Hz
Un, Coil Voltage, AC @60Hz, Min	380 V AC min @60Hz
Un, Coil Voltage, AC @60Hz, Max	415 V AC max @60Hz
Product Notes	AC Contactors 3 pole open type
IP Rating	IP00

# Catalogue No: **GH15RT-30-415V**

## CONTACTOR 110kW 3P 380-415V AC COIL

Motor Control and Drives > Motor Starting and Protection > Contactors > Ghisalba Contactors > GH15 Contactor Range > 3 Pole Contactors 11 to 115kW



### REFERENCES

IECEX Certificate -

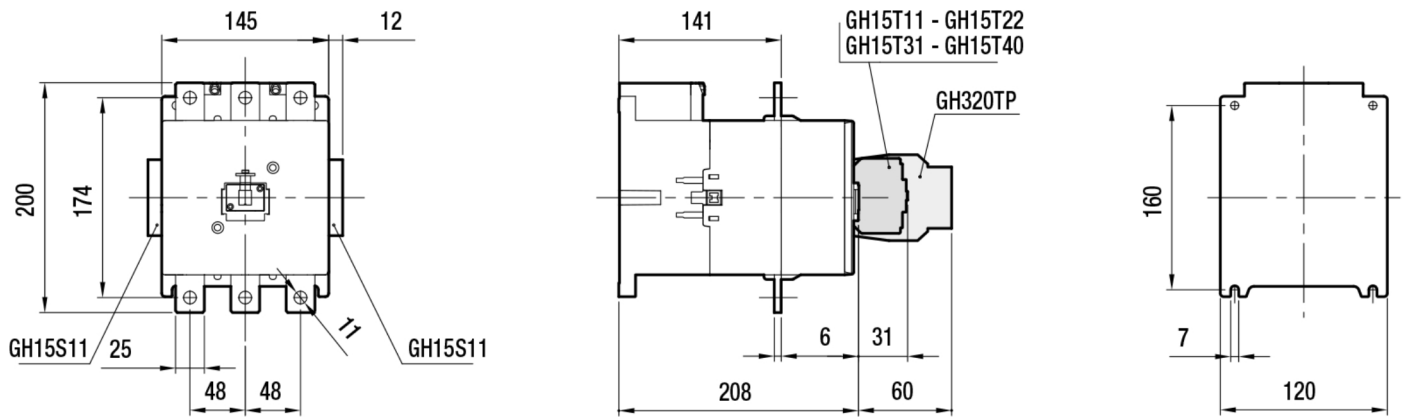
Supplier Declaration of Conformity: -

Installation Guide: -

User Manual: -

Manufacturer Datasheet: -

Manufacturer Catalogue & Product Selection: -



Dimension Diagram