

Refer catalogue GCR

Ratings to AS 1029 (400/415 V)



Cat. No. GH15BN

- Main poles available in 4 N/O, 4 N/C, or 2 N/O / 2 N/C
- Applications include - lighting circuits, power supply systems
- IP 20 touch protection
- Rated up to 100 amps AC 1 (63 amps AC 3)

4 pole contactor (with N/O and N/C poles)



Cat. No. GH15EN



Cat. No. GH15GN



Cat. No. GH15LN-40

Amps AC 1 40 °C	Amps AC 3 55 °C	Amps AC 3 55 °C ¹⁾	kW	4th pole AC 1 40 °C rating amps	Main poles		Aux. contacts ⁴⁾ Max.		Cat No. ³⁾
					N/O	N/C	N/O	N/C	
30	25	9	4.3	30	4	0	6	4	GH15BN-40...V
30	25	9	4.3	30	2	2	6	4	GH15BN-22...V ⁵⁾
30	25	9	4.3	30	0	4	6	4	GH15BN-04...V ⁵⁾
45	38	25	11	45	4	0	6	4	GH15EN-40...V
50	42	32	15	50	4	0	6	4	GH15FN-40...V ⁶⁾
63	53	40	18.5	63	4	0	6	4	GH15GN-40...V
63	53	40	18.5	63	2	2	6	4	GH15GN-22...V ⁵⁾
63	53	40	18.5	63	0	4	6	4	GH15GN-04...V ⁵⁾
80	68	50	22	80	4	0	6	4	GH15HN-40...V
100	85	63	34	100	4	0	6	4	GH15JN-40...V
125	105	95	45	125	4	0	6	4	GH15LN-40...V ⁶⁾
125	105	95	45	125	2	2	6	4	GH15LN-22...V ⁶⁾
125	105	95	45	125	0	4	6	4	GH15LN-04...V ⁶⁾

Lighting ratings of GH15 contactors (AC-5a and AC-5b) to IEC 947

Lighting Circuits Switching (μ e = 440V)



Cat. No. GH15HN



Cat. No. GH15JN



Cat. No. GH15LN-40

Contactor type	Fluorescent not compensated Ie max (A)	Lamps AC-5a not compensated Ie max (A)	Incandescent lamps AC-5b Ie max (A)
GH15BN	9	6	8
GH15EN	22	15	17
GH15GN	38	26	32
GH15HN	45	30	40
GH15JN	60	40	50

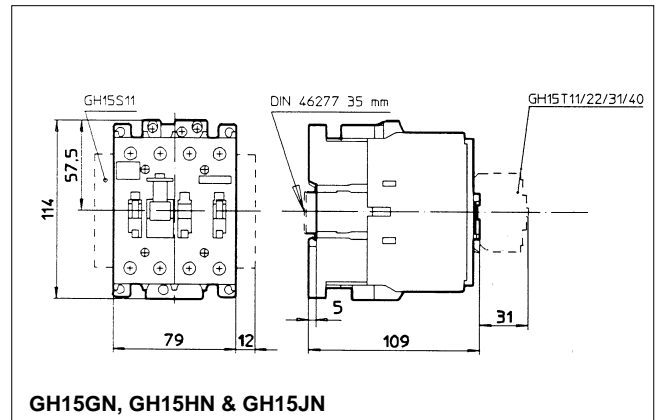
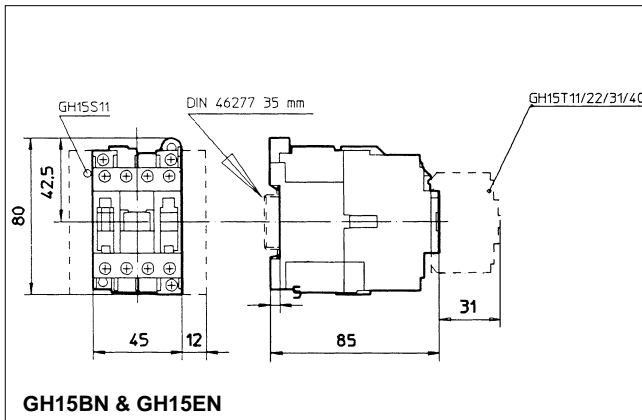
- Notes:**
- ¹⁾ Maximum 60 °C allowable at 0.85 derating.
 - ²⁾ Standard control voltages 24 V, 110 V, 240 V, 415 V AC 50 Hz. Other voltage coils on application.
 - ³⁾ Add control voltage to Cat. No. when ordering.
 - ⁴⁾ DIN style contactor - clip on auxiliary contacts available refer accessories page.
 - ⁵⁾ 22 = 2 N/O + 2 N/C main poles, 04 = 4 N/C main poles.
 - ⁶⁾ New variations.

240/415 V rated coils are suitable for use on 230/400 V in accordance with AS 60038 : 2000

Refer catalogue GCR

Dimensions in mm (Approx.)

Four pole



Add on fourth pole

