

Catalogue No: **DA28400**

PRESSURE COMPENSATION DEVICE PLASTIC M40 IP66/X9K (QTY 2)

Enclosures and Climate Control > Climate Control > Heaters and Regulating Devices > Anti-Condensation Heaters and Regulating Devices > Pressure Compensation and Drainage Devices > Pressure Compensation Plugs - Plastic IP66



Pressure Compensation Device Plastic M40 IP66 / IPX9K (QTY 2)



- A large range of thermostats (cooling and heating), hygrometers and hygrometers for control of heating and cooling
- Pressure compensation devices to prevent build up of condensation in areas of rapid temperature rise, or high pressure spray
- Drainage device for the removal of excess moisture
- Contact NHP for a custom heating or cooling solution

Representative Photo Only
(actual product may vary based on configuration selections)

SPECIFICATIONS

Component Type	Heaters Filter Fans Regulating Devices	Pressure Compensation Device
Air Permeability		1200L/h at a pressure difference of min. 70mbar
Filter		Waterproof membrane
Mounting		40.5mm Mounting
Thread Size		M40 x 1.5 size
Tightening Torque, Nominal		5 Nm
Details, Installation Position		Variable fitting position position
IP Rating		IP66 IPX9K
Colour, Body / Housing		Light Grey (RAL 7035) colour
Diameter, Cutout		40 mm
Storage Temperature, Min		-35 °C min
Storage Temperature, Max		70 °C max
Operating Temperature, Max		-35 °C max
Operating Temperature, Min		70 °C min
Package Quantity		2 qty
Packing Unit		2 pieces
Material		Plastic



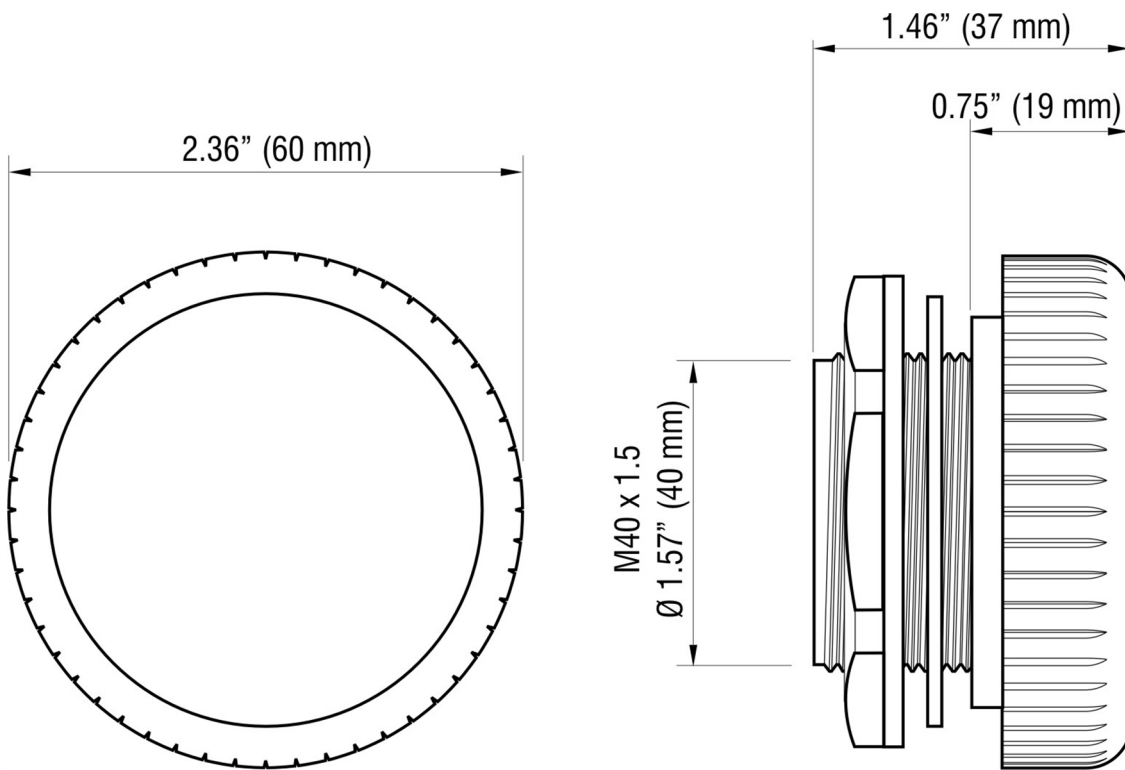
Catalogue No: **DA28400**

PRESSURE COMPENSATION DEVICE PLASTIC M40 IP66/X9K (QTY 2)

Enclosures and Climate Control > Climate Control > Heaters and Regulating Devices > Anti-Condensation Heaters and Regulating Devices > Pressure Compensation and Drainage Devices > Pressure Compensation Plugs - Plastic IP66



REFERENCES	
IECEX Certificate	-
Supplier Declaration of Conformity:	-
Installation Guide:	-
User Manual:	-
Manufacturer Datasheet:	-
Manufacturer Catalogue & Product Selection:	-



Dimension Diagram