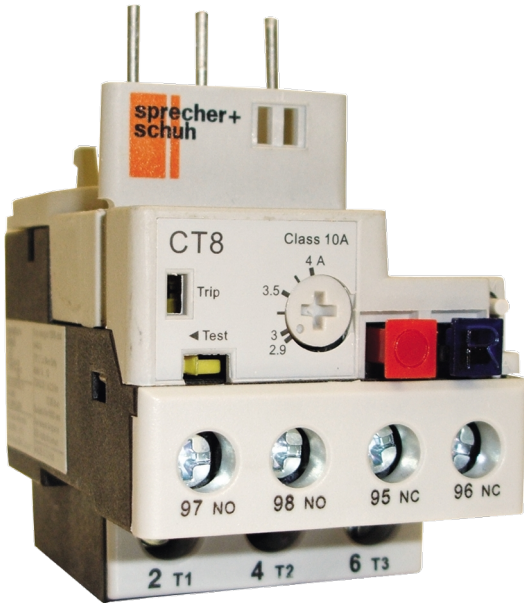


Catalogue No: **CT8-C10**

OVERLOAD THERMAL 7.2-10A

Motor Control and Drives > Motor Starting and Protection > Motor Protection > Sprecher + Schuh Overloads > Thermal (Bi-Metallic) Overloads > CT8 Thermal Overloads



Mini Thermal Overload Relay, 7.2...10A, 5kW, for use with CA 8-9...12, Trip Class 10A, Auto/Manual Reset

- Consistent and reliable protection for peace of mind
- Differential release for phase loss sensitivity and protection of motors in phase loss conditions
- Ambient temperature compensation from -20°C to +60°C for consistent performance

Representative Photo Only
(actual product may vary based on configuration selections)

SPECIFICATIONS

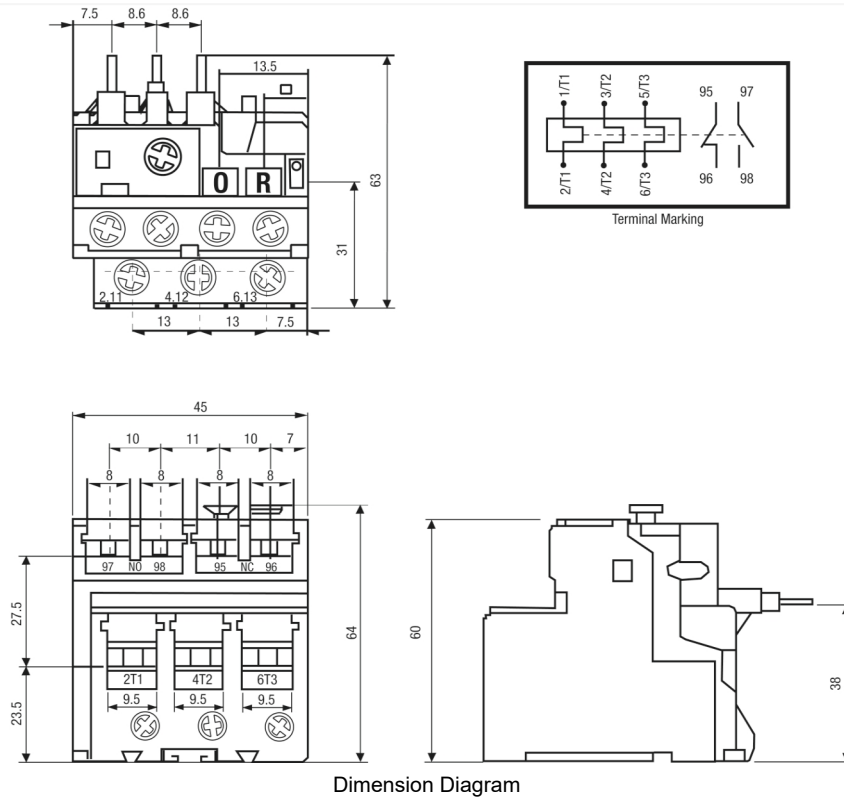
Product Series	CT8/CT7
Component Type Motor Control and Drives	Thermal Overload
Adjustment	1.5 : 1
Current Range (A)	7.20...10.00
Approx kW	5.00
Details, Contactor	CA8-9...12
Trip Class	10A
Reset	Automatic / Manual
Contact Configuration	1 NO + 1 NC EB 1st Contact
Test Function	Yes
Visible Trip Indicator	Yes
Motor FLC, Max	10 A, max
Motor FLC, Min	7.2 A, min
Rated Operation Voltage	690 V AC

REFERENCES

IECEX Certificate	-
Supplier Declaration of Conformity:	-
Installation Guide:	-
User Manual:	-
Manufacturer Datasheet:	-
Manufacturer Catalogue & Product Selection:	-

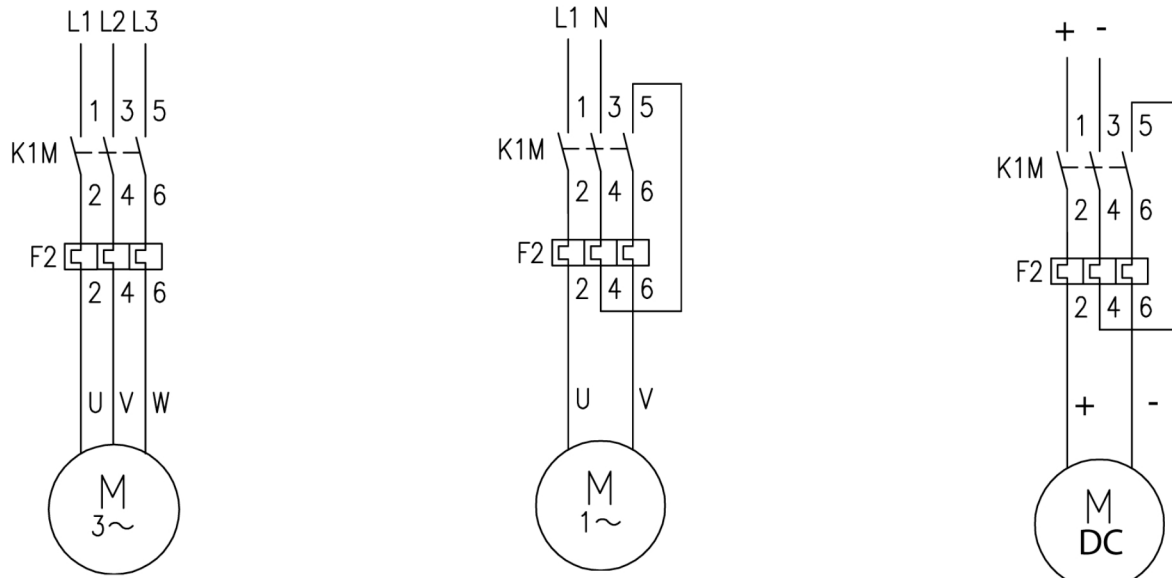
Catalogue No: **CT8-C10**
OVERLOAD THERMAL 7.2-10A

Motor Control and Drives > Motor Starting and Protection > Motor Protection > Sprecher + Schuh Overloads > Thermal (Bi-Metallic) Overloads > CT8 Thermal Overloads



Dimension Diagram

Connection Diagrams



Connection / Wiring Diagram