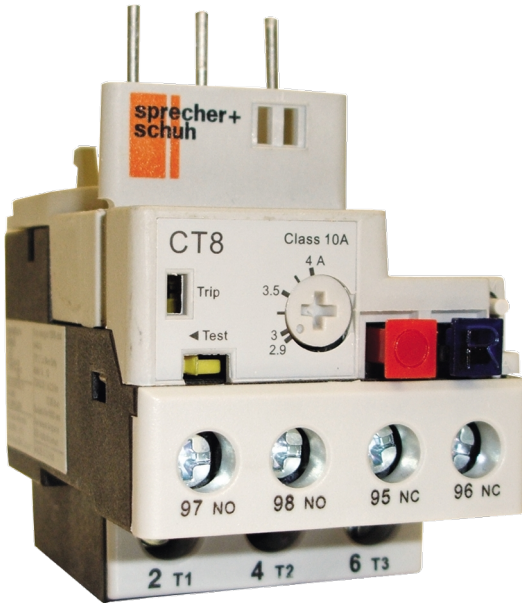


# Catalogue No: CT8-A25

## OVERLOAD THERMAL 0.16-0.25A

Motor Control and Drives > Motor Starting and Protection > Motor Protection > Sprecher + Schuh Overloads > Thermal (Bi-Metallic) Overloads > CT8 Thermal Overloads



Representative Photo Only  
(actual product may vary based on configuration selections)

Mini Thermal Overload Relay, 0.16...0.25A, 0.09kW, for use with CA 8-5, Trip Class 10A, Auto/Manual Reset

- Consistent and reliable protection for peace of mind
- Differential release for phase loss sensitivity and protection of motors in phase loss conditions
- Ambient temperature compensation from -20°C to +60°C for consistent performance

### SPECIFICATIONS

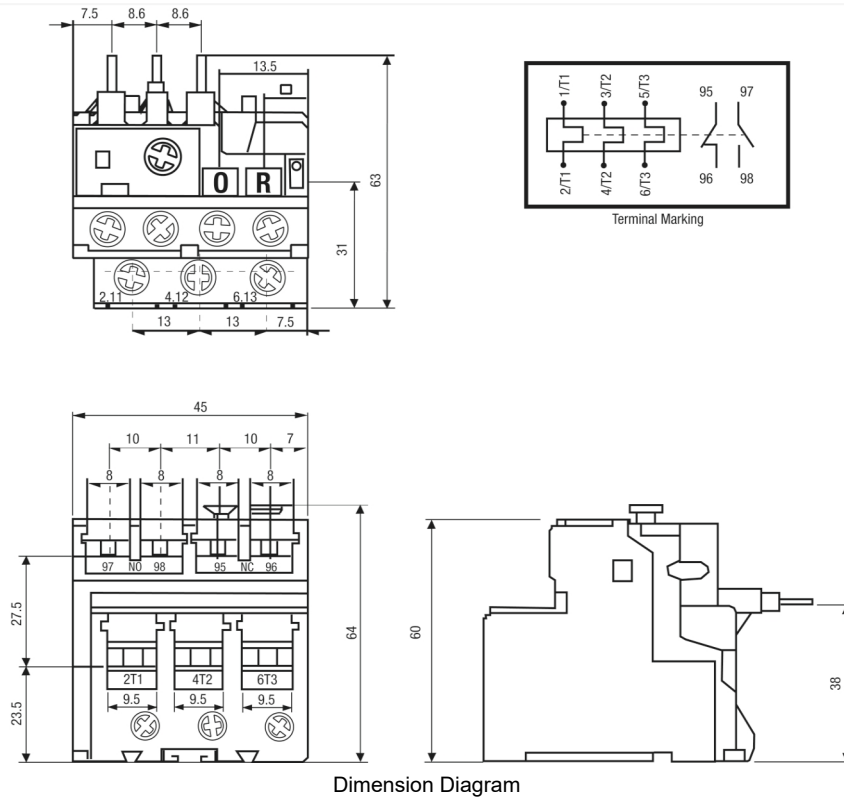
Component Type	Motor Control and Drives	Thermal Overload
Adjustment		1.5 : 1
Current Range (A)		0.16...0.25
Approx kW		0.09
Details, Contactor		CA8-5...12
Trip Class		10A
Reset		Automatic / Manual
Contact Configuration		1 NO + 1 NC
Test Function		Yes
Visible Trip Indicator		Yes
Motor FLC, Max		0.25 A, max
Motor FLC, Min		0.16 A, min
Rated Operation Voltage		690 V AC

### REFERENCES

IECEX Certificate	-
Supplier Declaration of Conformity:	-
Installation Guide:	-
User Manual:	-
Manufacturer Datasheet:	-
Manufacturer Catalogue & Product Selection:	-

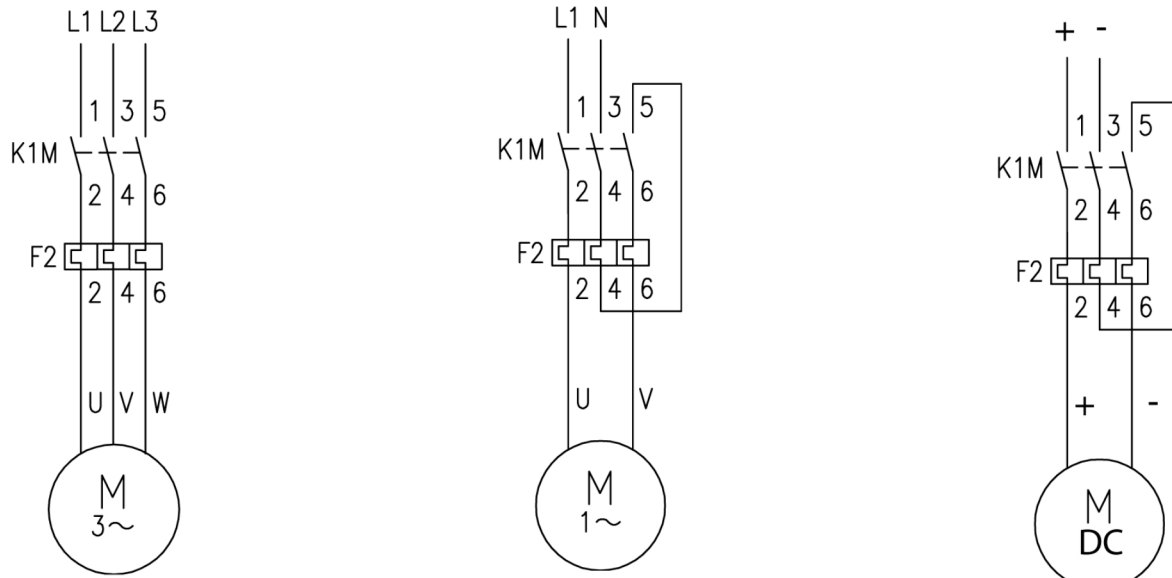
Catalogue No: **CT8-A25**  
**OVERLOAD THERMAL 0.16-0.25A**

Motor Control and Drives > Motor Starting and Protection > Motor Protection > Sprecher + Schuh Overloads > Thermal (Bi-Metallic) Overloads > CT8 Thermal Overloads



Dimension Diagram

**Connection Diagrams**



Connection / Wiring Diagram