

# Catalogue No: **CPT-DM2-230-20A**

## SPD DM MONO TYPE 3 1PH L-N-PE I<sub>max</sub> 20kA 240V AC 20A SERIES

Power Distribution and Protection > Switchboard Monitoring > Surge Protection > Cirprotec Electrical Network Surge Diverters > IEC Type 2+3




Representative Photo Only  
(actual product may vary based on configuration selections)

### Surge Protection Device DM2 Series Connect 20A 20kA I<sub>max</sub>

- DM is a range of combined devices for discharging induced transient overvoltages (Type 2 / Class II) and provides fine protection for sensitive equipment (Type 3 / Class III) in accordance with IEC 61643-11
- The range also includes devices that are for very fine protection of sensitive equipment, in accordance with IEC61643-11. These devices are surge protection devices (Type 3 / Class III)
- Complete with a built-in EMI filter
- DIN rail mounting, with a monobloc format
- Suitable as the final stage of protection in installations with electromagnetic disturbances which might interrupt, degrade limit line performance
- Series connection for applications up to 8 / 20 A rated current (depending on model)
- With electromagnetic interference (EMI) filter
- Combined voltage pulse with 1.2 / 50  $\mu$ s waveform. U<sub>oc</sub>: 6 kV
- Remote and local visual indication of life status of the protection device

### SPECIFICATIONS

Product Series	DM
Component Type Surge Protection	Electrical Network Diverter
Number of Poles	2
Poles	1P + N + E
Number of DIN Modules	4
Un, Nominal Voltage, AC, L-N/PE	230 V AC
Uc, Continuous Operating Voltage, AC, Max	275 V AC
In, Discharge Current, (8/20) L-L, Nom	10 kA 8/20
In, Discharge Current, (8/20) N-PE, Nom	10 kA
I <sub>max</sub> , Discharge Current, (8/20) L-N, Max	20 kA
I <sub>max</sub> , Discharge Current, (8/20) N-PE, Max	20 kA
Recommended Fuse Current Rating	20 A
Fuse Characteristic Type(s)	gL/gG
Protection Classification Standard	IEC 61643-1 EN 61643-11
Up, Voltage Protection Level	1.2 kV @In
Rated Frequency	50 / 60 Hz
Connection Mode	Series mode
Protection Modes	L+N-PE modes
Protection class	2 + 3
Replaceable Modules	No Y/N
Visual Indication	Yes Y/N
Remote Monitoring	Yes Y/N
Monitoring Contact Configuration	1 CO, Volt Free Contact
Mounting	DIN-35 Rail Mount
Wire / Conductor Size, Flex Cable, Min	6 mm <sup>2</sup> min

# Catalogue No: **CPT-DM2-230-20A**

## SPD DM MONO TYPE 3 1PH L-N-PE I<sub>max</sub> 20kA 240V AC 20A SERIES

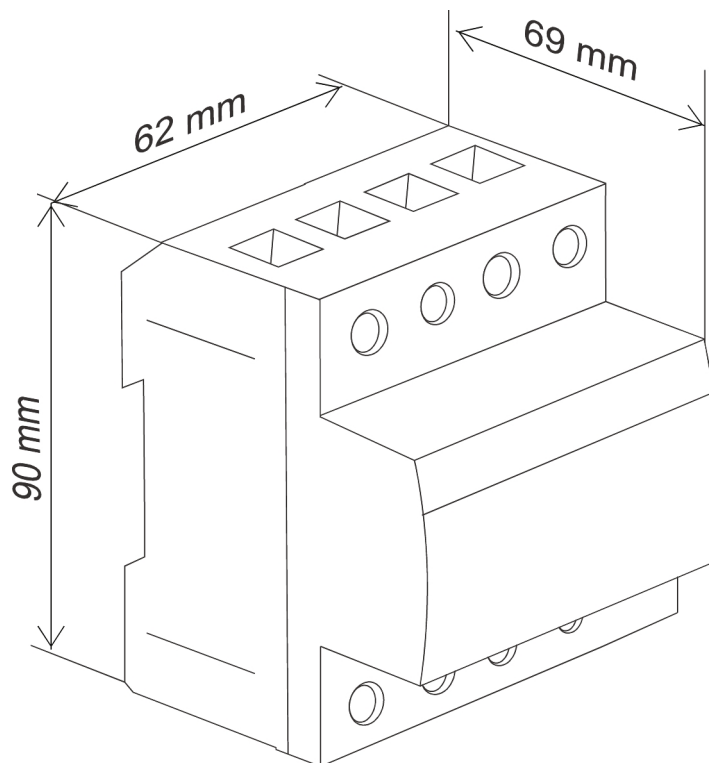
Power Distribution and Protection > Switchboard Monitoring > Surge Protection > Cirprotec Electrical Network Surge Diverters > IEC Type 2+3



Wire / Conductor Size, Flex Cable, Max	25 mm <sup>2</sup> max
Wire / Conductor Size, Rigid Cable, Min	6 mm <sup>2</sup> min
Wire / Conductor Size, Rigid Cable, Max	35 mm <sup>2</sup> max
Colour, Body / Housing	Grey Anthracite colour
IP Rating	IP20
Tightening Torque, Nominal	4 Nm
Height	90 mm
Width	62 mm
Depth	69 mm
Weight	0.337 kg
Operating Temperature, Min	-40 °C min
Operating Temperature, Max	80 °C max
Certifications	CE

### REFERENCES

IECEX Certificate	-
Supplier Declaration of Conformity:	-
Installation Guide:	-
User Manual:	-
Manufacturer Datasheet:	<a href="#">CPTDM223020A_Manufacturer Datasheet</a>
Manufacturer Catalogue & Product Selection:	-

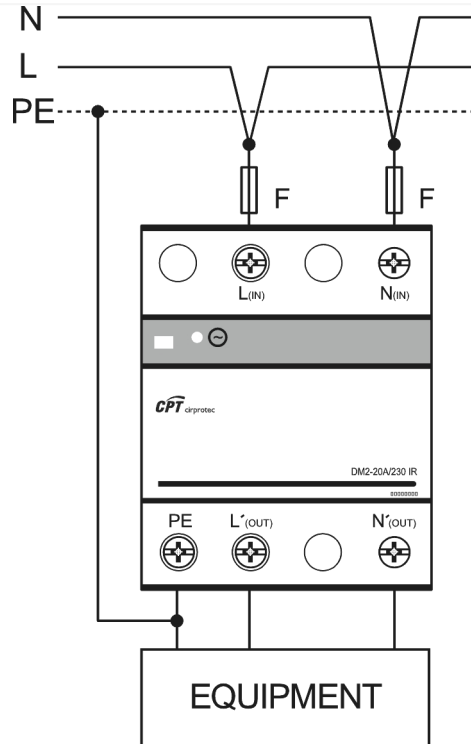


Dimension Diagram

Catalogue No: **CPT-DM2-230-20A**

**SPD DM MONO TYPE 3 1PH L-N-PE I<sub>max</sub> 20kA 240V AC 20A SERIES**

Power Distribution and Protection > Switchboard Monitoring > Surge Protection > Cirprotec Electrical Network Surge Diverters > IEC Type 2+3



Connection / Wiring Diagram