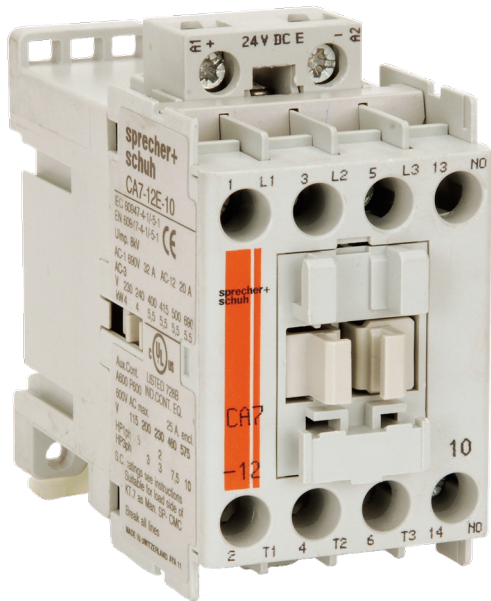


Catalogue No: **CA7-16E-10-24VDC**
CONTACTOR 7.5kW 3P 24V DC COIL 1NO AUXILIARY

Motor Control and Drives > Motor Starting and Protection > Contactors > Sprecher + Schuh Contactors > CA7 Contactors 4 to 55kW > 3 Pole Contactors with DC Coil



Contactor 3 pole 16A 7.5kW 1N/O Auxiliary 24V DC Coil

Representative Photo Only
 (actual product may vary based on configuration selections)

SPECIFICATIONS

Product Series	CA7-16
Component Type Motor Control and Drives	Standard Contactor
Ie, Rated Operational Current, AC-1, 415V, 40°C	32 A@415V,40°C
kW Rating, AC-3, 415V, 60°C	7.5 kW @415V, 60°C
Ie, Rated Operational Current, AC-3, 415V, 60°C	16 A@415V,60°C
kW Rating, AC-3, 690V, 60°C	7.5 kW @690V, 60°C
Ie, Rated Operational Current, AC-3, 690V, 60°C	9 A@690V,60°C
Number of Poles	3
Contact Configuration, Main Poles	3 NO main poles
Contact Configuration, Auxiliary	1 NO auxiliary
Coil Type	Electronic type
Coil Consumption Hold-in VA AC coiled contactors	2.7 VA 9.5
Coil Consumption Pickup VA AC coiled contactors	75 VA
Coil Consumption Pickup W Ave/Peak DC Electronic coiled contactors 12VDC	10 W 17
Coil Consumption Pickup W Ave/Peak DC Electronic coiled contactors 24VDC	10 W 17
Coil Consumption Pickup W Ave/Peak DC Electronic coiled contactors 36-48VDC	10 W 17
Coil Consumption Pickup W Ave/Peak DC Electronic coiled contactors 48-72VDC	10 W 17
Coil Consumption Pickup W Ave/Peak DC Electronic coiled contactors 110-125VDC	12 W 19
Coil Consumption Pickup W Ave/Peak DC Electronic coiled contactors 220-250VDC	14 W 22
Coil Consumption Hold-in W DC coiled contactors 12VDC	1.7 W
Coil Consumption Hold-in W DC coiled contactors 24VDC	1.7 W
Coil Consumption Hold-in W DC coiled contactors 36-48VDC	1.7 W 1.9

Catalogue No: CA7-16E-10-24VDC

CONTACTOR 7.5kW 3P 24V DC COIL 1NO AUXILIARY

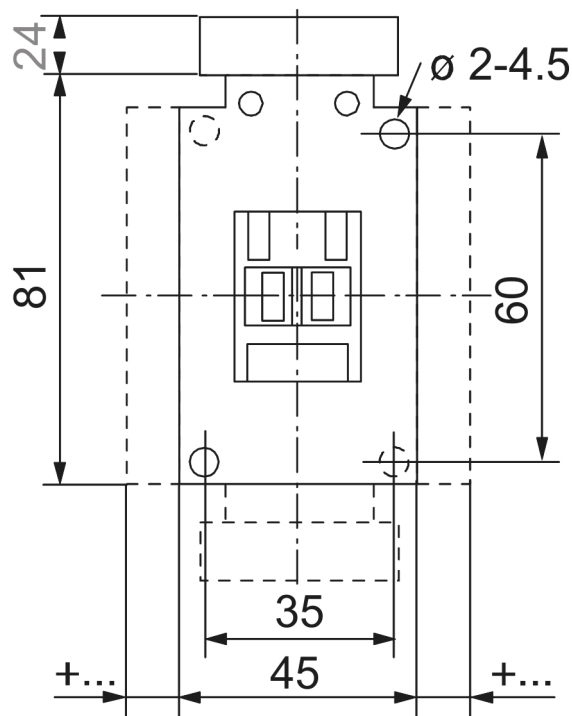
Motor Control and Drives > Motor Starting and Protection > Contactors > Sprecher + Schuh Contactors > CA7 Contactors 4 to 55kW > 3 Pole Contactors with DC Coil



Coil Consumption Hold-in W DC coiled contactors 48-72VDC	1.7 W 1.9
Coil Consumption Hold-in W DC coiled contactors 110-125VDC	2 W 2.1
Coil Consumption Hold-in W DC coiled contactors 220-250VDC	2.7 W 3
Integrated Aux	1 N/O
Coil Voltage, DC, Nom	24 V DC
IP Rating	IP20

REFERENCES

IECEX Certificate	-
Supplier Declaration of Conformity:	-
Installation Guide:	-
User Manual:	-
Manufacturer Datasheet:	-
Manufacturer Catalogue & Product Selection:	-



Dimension Diagram

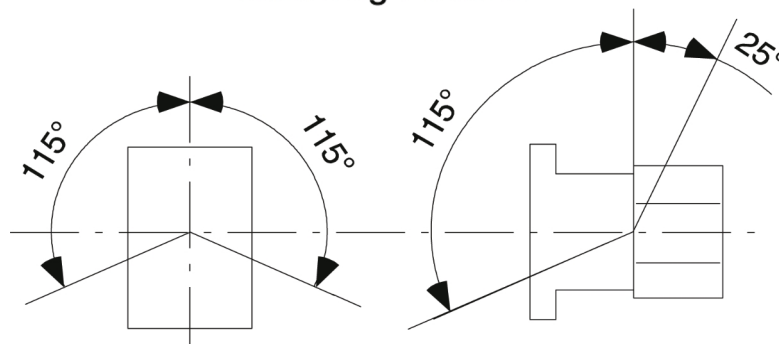
Catalogue No: **CA7-16E-10-24VDC**

CONTACTOR 7.5kW 3P 24V DC COIL 1NO AUXILIARY

Motor Control and Drives > Motor Starting and Protection > Contactors > Sprecher + Schuh Contactors > CA7
Contactors 4 to 55kW > 3 Pole Contactors with DC Coil



Mounting Position



Technical Diagram