

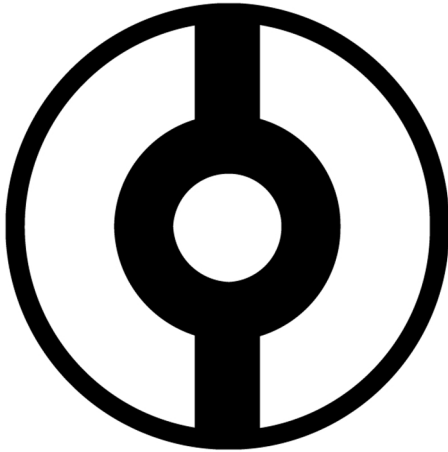
Catalogue No: **ALI 505**

LOCK INSERT ZINC DIE CAST DIN 5mm DOUBLE BIT

Enclosures and Climate Control > Standard Enclosures > Wall Mount Enclosures > Wall Mount Enclosures - Mild Steel > MAS / MAD / MAP / ASR / ADR / SRE Accessories > Combination Locks and Handles - Inserts to Suit Standard Enclosure Lock



Insert Zinc Die Cast 5mm DIN



Representative Photo Only
(actual product may vary based on configuration selections)

SPECIFICATIONS

REFERENCES

IECEX Certificate -

Supplier Declaration of
Conformity: -

Installation Guide: -

User Manual: -

Manufacturer Datasheet: -

Manufacturer Catalogue
& Product Selection: -

Catalogue No: **ALI 505**

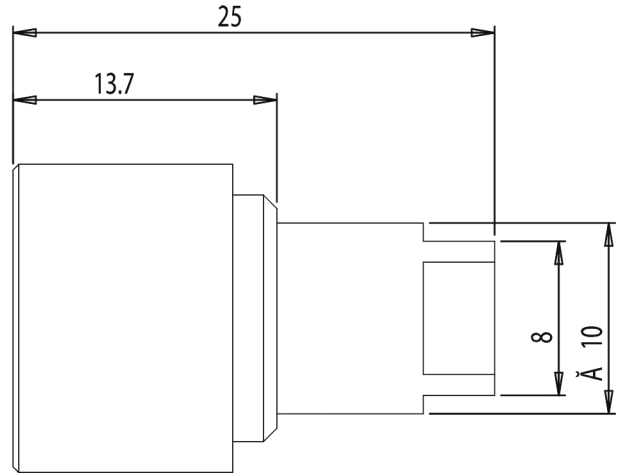
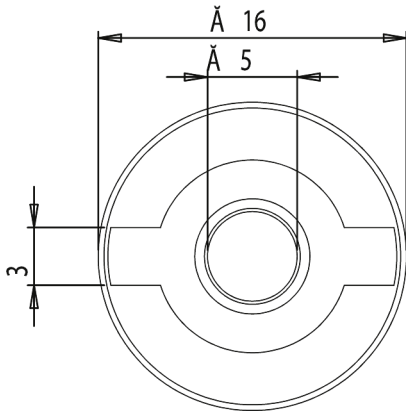
LOCK INSERT ZINC DIE CAST DIN 5mm DOUBLE BIT

Enclosures and Climate Control > Standard Enclosures > Wall Mount Enclosures > Wall Mount Enclosures - Mild Steel > MAS / MAD / MAP / ASR / ADR / SRE Accessories > Combination Locks and Handles - Inserts to Suit Standard Enclosure Lock



Front view

Side view



Dimension Diagram