

Catalogue No: **AC06060R5**

ELDON MODULAR CHASSIS SUIT H600 x W600mm SUIT MAS/ASR

Enclosures and Climate Control > Standard Enclosures > Wall Mount Enclosures > Wall Mount Enclosures - Mild Steel > MAS / MAD / MAP / ASR / ADR / SRE Accessories > Modular Chassis



Modular Chassis Suit H600xW600mm Suit MAS



Representative Photo Only
(actual product may vary based on configuration selections)

SPECIFICATIONS

Height	600 mm
Width	600 mm
Number of Module Rows	4 qty
Number of Modules per Row	27 qty per row

REFERENCES

IECEX Certificate	-
Supplier Declaration of Conformity:	-
Installation Guide:	-
User Manual:	-
Manufacturer Datasheet:	-
Manufacturer Catalogue & Product Selection:	-

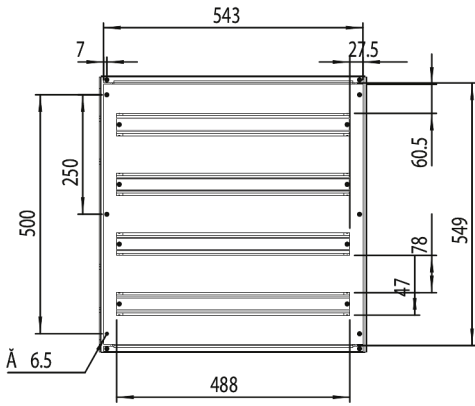
Catalogue No: **AC06060R5**

ELDON MODULAR CHASSIS SUIT H600 x W600mm SUIT MAS/ASR

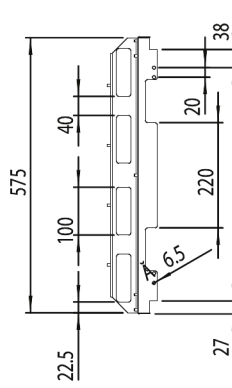
Enclosures and Climate Control > Standard Enclosures > Wall Mount Enclosures > Wall Mount Enclosures - Mild Steel > MAS / MAD / MAP / ASR / ADR / SRE Accessories > Modular Chassis



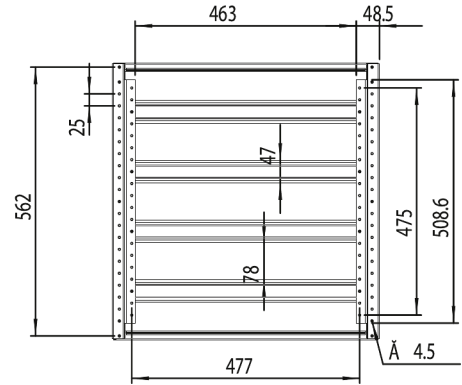
Front view



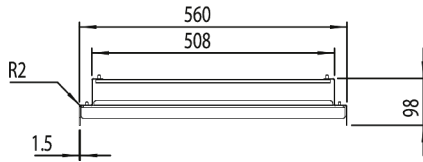
Side view



Rear view



Top view



Dimension Diagram