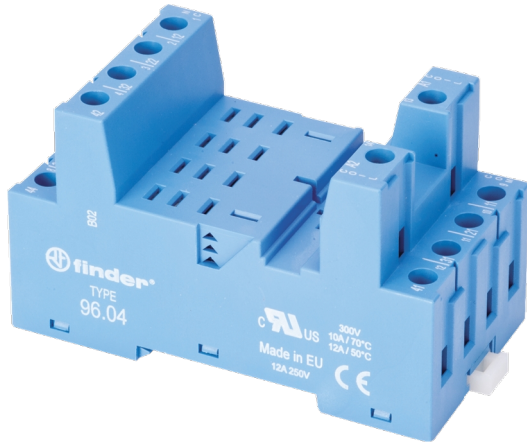


Base for 5634/9901 LED Relay Box Clamp with Metal Clip



- Complete range from PCB to power relays to cover all of your switching requirements
- International certifications and approvals including CE, CSA, EAC, PCT, RINA, VDE and RoHS, providing quality assurance of a market leading product
- Compact construction allowing for most efficient use of your space

Representative Photo Only
(actual product may vary based on configuration selections)

SPECIFICATIONS

Product Series	56
Component Type Timers and Control relays	Relay Base
In, Rated Current	12 A
Icw, Short Time Withstand Current, 10ms (rms)	20 A, 10ms
Un, Nominal Operational Voltage, AC	250 V AC
Ue, Rated Operational Voltage, AC, max	400 V AC
Contact Breaking Capacity, DC1, 30V	12 A
Contact Breaking Capacity, DC1, 110V	0.5 A
Contact Breaking Capacity, DC1, 220V	0.25 A
Rated Load, AC-1	3000 VA
Rated Load, AC-15	700 VA
Contact Rated Power, Single Phase Motor, 230V AC	0.55 kW
Material, Contacts	Silver Nickel (AgNi) material
Electrical Service Life at Un, In	100000 cycles
Mounting	Plug-in
Height	82.5 mm
Width	43.4 mm
Depth	48.2 mm
Shock Acceleration (Max.)	20 g
Shock Duration (Max.)	4 ms
Vibration Acceleration (Max.)	17 m/s ²
Vibration Frequency, Operational (Max.)	150 Hz
Certifications	CE CSA EAC GOST-R IMQ C-UR-US VDE

Catalogue No: **96.04**

BASE FOR 5634/9902 LED RELAY BOX CLAMP W/METAL CLIP

Timers and Control Relays > General Purpose Relays > Electromechanical Relays > Finder Electromechanical Relays > Power Relays > 56 Series Mini Square Base Relays

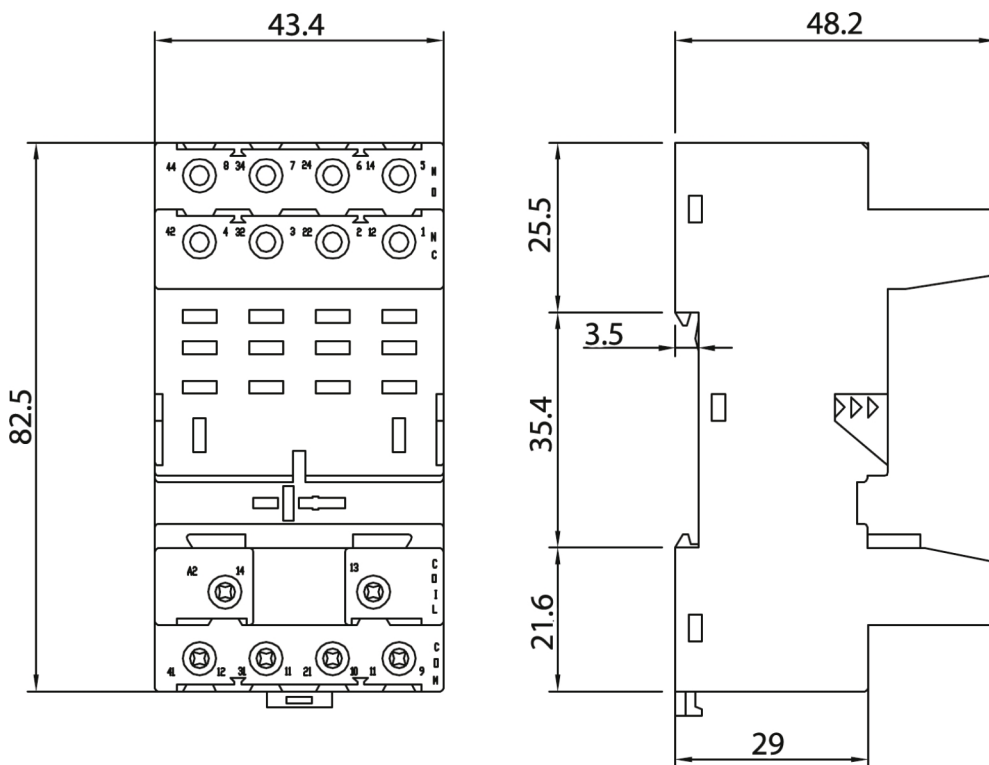


Shipping Approvals

Lloyd's Register of Shipping
RINA (Registro Italiano Navale)

REFERENCES

IECEX Certificate	-
Supplier Declaration of Conformity:	-
Installation Guide:	-
User Manual:	-
Manufacturer Datasheet:	-
Manufacturer Catalogue & Product Selection:	-

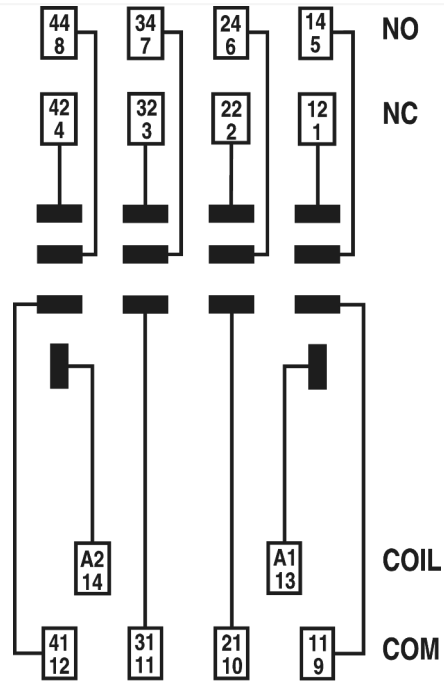


Dimension Diagram

Catalogue No: **96.04**

BASE FOR 5634/9902 LED RELAY BOX CLAMP W/METAL CLIP

Timers and Control Relays > General Purpose Relays > Electromechanical Relays > Finder Electromechanical Relays > Power Relays > 56 Series Mini Square Base Relays



96.04

Connection / Wiring Diagram