



Representative Photo Only
(actual product may vary based on configuration selections)

MULTIFUNCTION TIMER 16A 1CO 12-240VACDC SUPPLY

- Complete range from PCB to power relays to cover all of your switching requirements
- International certifications and approvals including CE, CSA, EAC, PCT, RINA, VDE and RoHS, providing quality assurance of a market leading product
- Compact construction allowing for most efficient use of your space

SPECIFICATIONS

Component Type Timers and Control relays

Timing Module

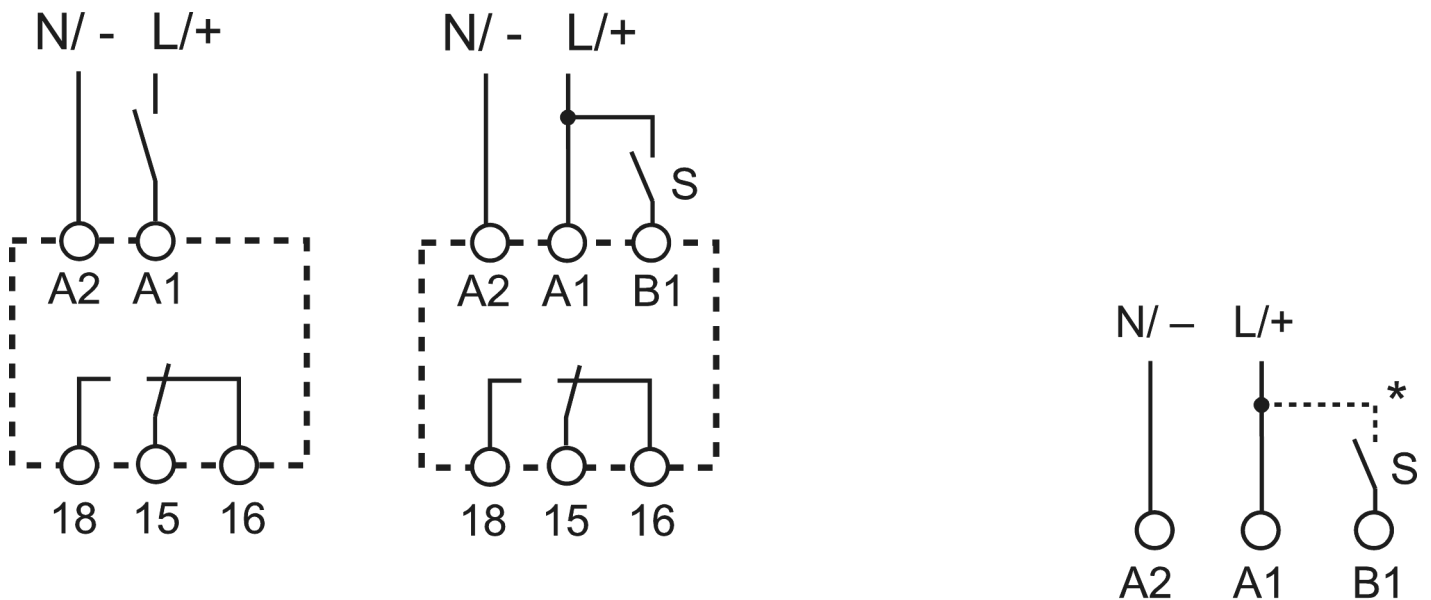
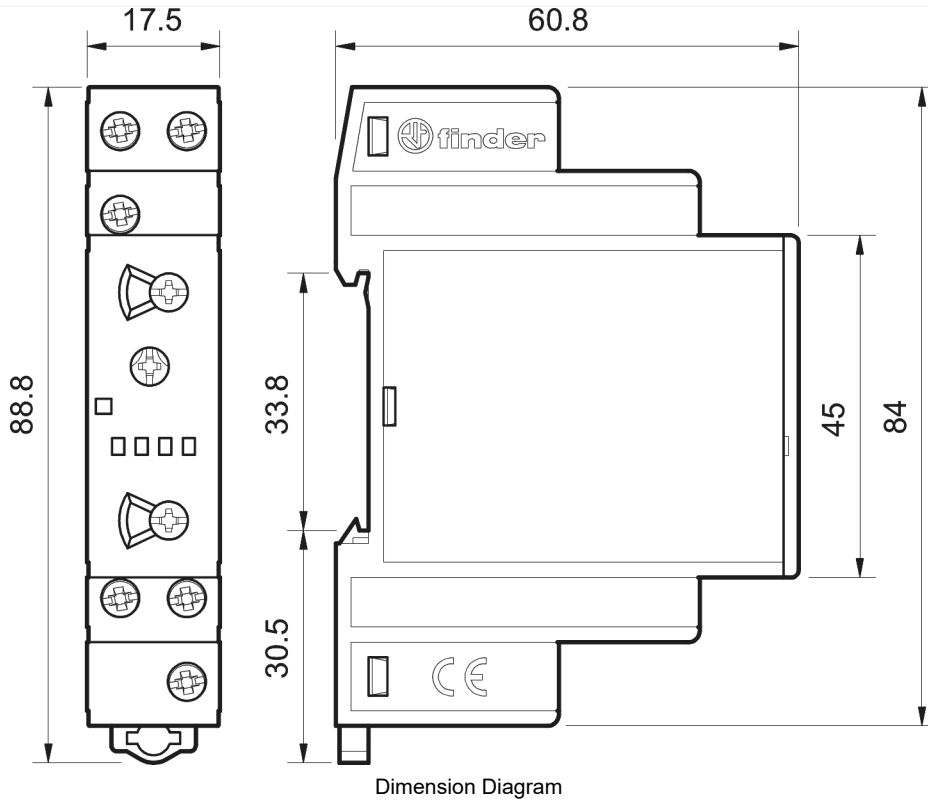
REFERENCES

IECEX Certificate	-
Supplier Declaration of Conformity:	-
Installation Guide:	-
User Manual:	-
Manufacturer Datasheet:	-
Manufacturer Catalogue & Product Selection:	-

Catalogue No: **8001240VAC**

MULTIFUNCTION TIMER 16A 1CO 12-240VACDC SUPPLY

Timers and Control Relays > General Purpose Relays > Electromechanical Relays > Finder Electromechanical Relays > Plug-In Modules for Interface / Power / PCB and Miniature Relays > Timing Module



Connection / Wiring Diagram