

Catalogue No: **62.82.0000 240 V AC**

POWER RELAY FLANGE 16A 2CO 240VAC COIL

Timers and Control Relays > General Purpose Relays > Electromechanical Relays > Finder Electromechanical Relays > Power Relays > 62 Series Plug-in Power Relays



Representative Photo Only
(actual product may vary based on configuration selections)

Power Relay Flange 16A 2 C/O 240V AC Coil

- Complete range from PCB to power relays to cover all of your switching requirements
- International certifications and approvals including CE, CSA, EAC, PCT, RINA, VDE and RoHS, providing quality assurance of a market leading product
- Compact construction allowing for most efficient use of your space

SPECIFICATIONS

Product Series	62
Component Type Timers and Control relays	Relay
Contact Configuration	2 CO
In, Rated Current	16 A
Icw, Short Time Withstand Current, 10ms (rms)	30 A, 10ms
Un, Nominal Operational Voltage, AC	250 V AC
Ue, Rated Operational Voltage, AC, max	400 V AC
Contact Breaking Capacity, DC1, 30V	16 A
Contact Breaking Capacity, DC1, 110V	0.6 A
Contact Breaking Capacity, DC1, 220V	0.4 A
Rated Load, AC-1	4000 VA
Rated Load, AC-15	750 VA
Contact Rated Power, Single Phase Motor, 230V AC	0.8 kW
Coil Type	AC
Coil Voltage, AC, Nom	240 V AC
Coil Voltage, AC, Min	192 V AC
Coil Voltage, AC, Max	264 V AC
Material, Contacts	Silver Cadmium Oxide (AgCdO) material
Mechanical Service Life	10000000 cycles
Electrical Service Life at Un, In	100000 cycles
Total Making Time	11 ms
Total Breaking Time	4 ms
Insulation Voltage, between Coil & Contacts	6000 V
Dielectric Strength, between open Contacts	1500 V AC
Mounting	Flange Mount
Operating Temperature, Min	-40 °C min
Operating Temperature, Max	70 °C max
Height	68 mm

Catalogue No: **62.82.0000 240 V AC**

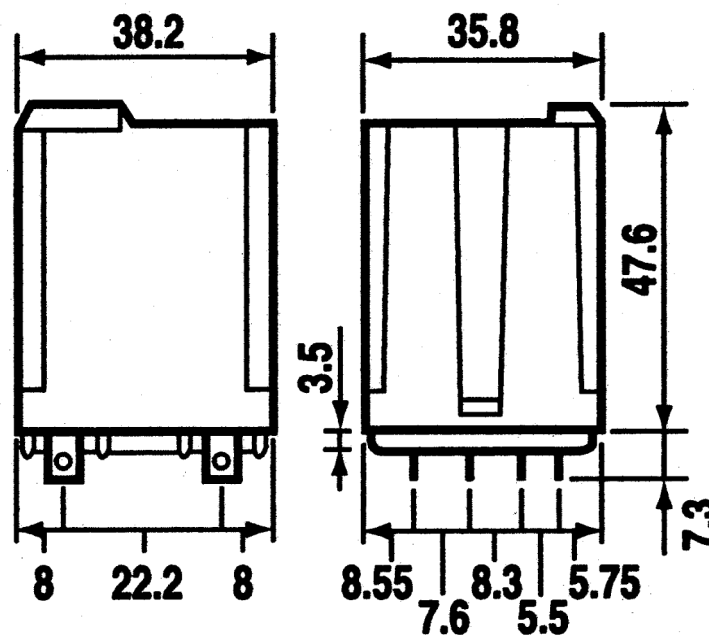
POWER RELAY FLANGE 16A 2CO 240VAC COIL

Timers and Control Relays > General Purpose Relays > Electromechanical Relays > Finder Electromechanical Relays > Power Relays > 62 Series Plug-in Power Relays



Width	38.2 mm
Depth	35.8 mm
Shock Acceleration (Max.)	15 g
Shock Duration (Max.)	5 ms
Vibration Acceleration (Max.)	20 m/s ²
Vibration Frequency, Operational (Max.)	150 Hz
Certifications	CE CSA EAC GOST-R IMQ VDE C-UR-US
Shipping Approvals	Lloyd's Register of Shipping RINA (Registro Italiano Navale)

REFERENCES	
IECEX Certificate	-
Supplier Declaration of Conformity:	-
Installation Guide:	-
User Manual:	-
Manufacturer Datasheet:	-
Manufacturer Catalogue & Product Selection:	-



Dimension Diagram

Catalogue No: **62.82.0000 240 V AC**

POWER RELAY FLANGE 16A 2CO 240VAC COIL

Timers and Control Relays > General Purpose Relays > Electromechanical Relays > Finder Electromechanical Relays > Power Relays > 62 Series Plug-in Power Relays

