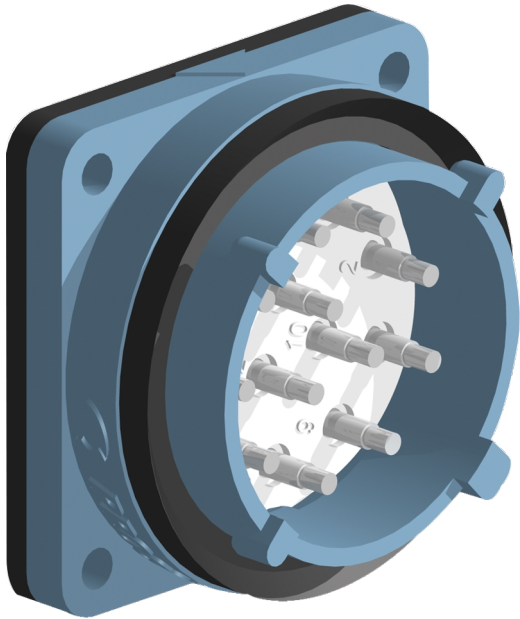


Catalogue No: 3PSS12AR12A

3PSS12 APPLIANCE INLET 12 PIN 10A 500V AC

Plugs, Sockets and Switches > Industrial Plugs and Sockets > Isolating Plugs and Sockets > Proconnect Plugs and Sockets > 10A Multi-pin Plugs and Sockets (3PSS Series) > Appliance Inlets

NHP



Representative Photo Only
(actual product may vary based on configuration selections)

3PSS12 Appliance Inlet 12P 10A

- Available in five sizes including 30A, 50A, 90A, 150A and 250A (Maximum current rating to IEC60309)
- 3, 4 and 5 pin configurations with optional pilot pins, silver alloy tipped for low voltage drop and high arc resistance
- AC23 rating for making and breaking high inductive loads
- Connect and disconnect under load, eliminates the need for switching
- Interlocked socket and appliance inlet with 24 insert settings (Factory Set) preventing mismatching for a safe and reliable connection
- High ingress protection and exceptional impact resistance, IP66 / IK 08
- Resistance to most industrial chemicals, detergents and exposure to UV light
- Range of angled wall boxes, incline sleeves and handles for all plug and socket combinations

SPECIFICATIONS

Product Series	3PSS
Component Type Plugs And Sockets	Appliance Inlet
Contacts (Poles)	12p
Ie, Rated Operational Current, max	10 A,max
IP Rating	IP66
IK Rating	IK07
Wire / Conductor Size (Max)	1.5 mm ²
Wire / Conductor Size, Flex Cable, Max	1.5 mm ² max
Diameter, Cable Jacket, Min	7 mm
Diameter, Cable Jacket, Max	13 mm
Strip Length, Insulation	12 mm
Strip Length, Sheathing	40 mm
Material, Body / Housing	Nylon / PA6 / PA66 (Polyamide 6) material
Material, Contacts	Silver-Plated Copper Alloy material
Material, Screws / Fastening	Stainless Steel Screws/Fastening
Material, Gasket / Seal	Neoprene material
Depth	38.7 mm
Weight	0.073 kg
Operating Temperature, Min	-30 °C min
Operating Temperature, Max	60 °C max
Standards Compliance	IEC 60309-1

Catalogue No: 3PSS12AR12A

3PSS12 APPLIANCE INLET 12 PIN 10A 500V AC

Plugs, Sockets and Switches > Industrial Plugs and Sockets > Isolating Plugs and Sockets > Proconnect Plugs and Sockets > 10A Multi-pin Plugs and Sockets (3PSS Series) > Appliance Inlets



REFERENCES

IECEX Certificate -

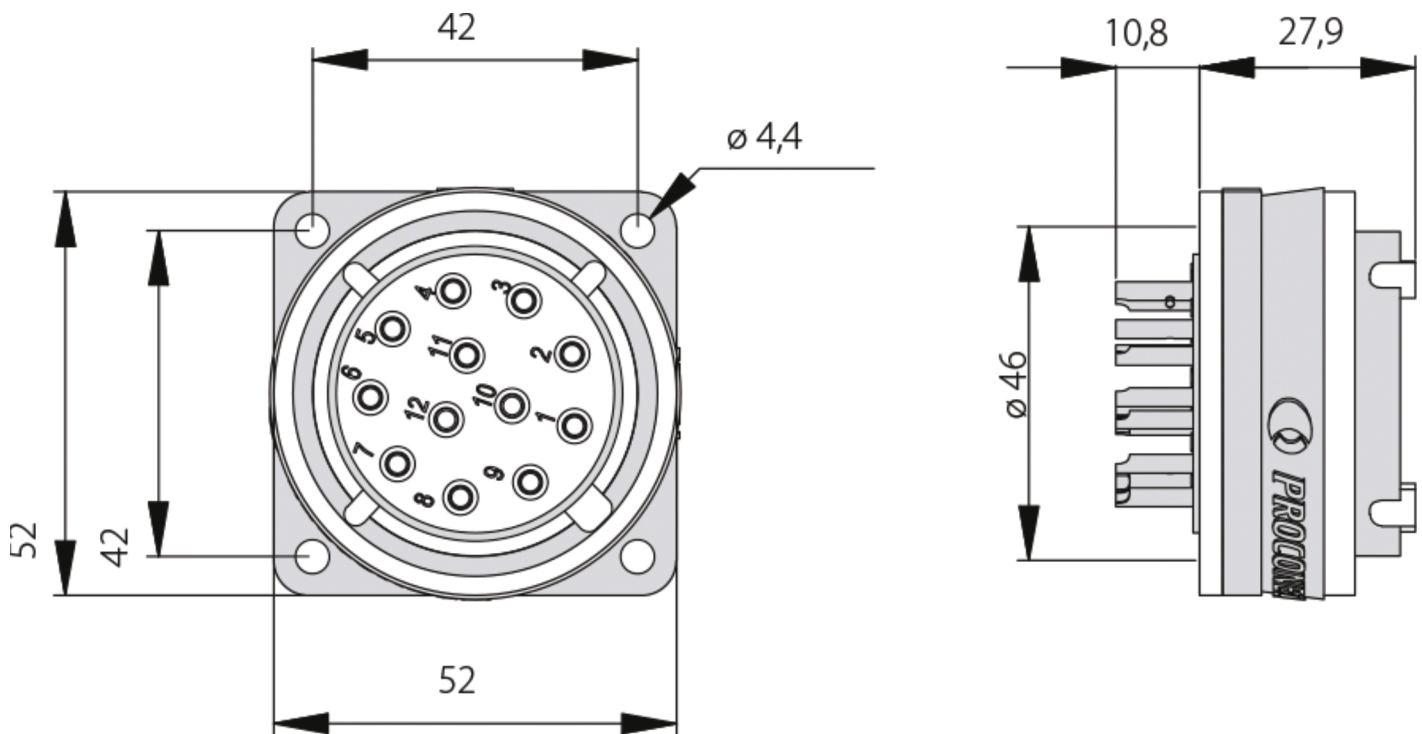
Supplier Declaration of Conformity: -

Installation Guide: -

User Manual: -

Manufacturer Datasheet: -

Manufacturer Catalogue & Product Selection: -



Dimension Diagram