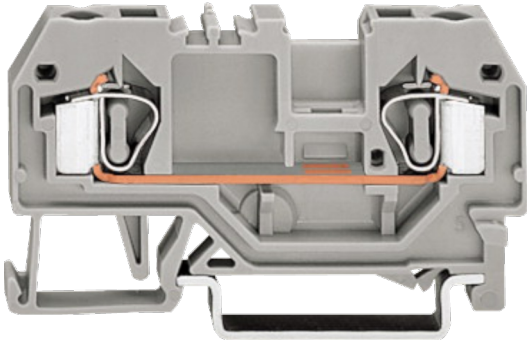


Catalogue No: **281-901**

SCREWLESS TERMINAL 4mm 2 CONDUCTOR 32A GREY

Termination and Wiring Systems > Terminals and Pre-Wired Cables > Terminals - Screwless > WAGO Screwless Terminals > Series 281 - 4mm² Cage Clamp Terminals > Through terminal

NHP



Representative Photo Only
(actual product may vary based on configuration selections)

Terminal 4mm Grey 2 Conductor Front

- Self-contained cage clamp assembly allows for quick and easy wire termination while ensuring contact quality
- Cage clamp terminals developed to suit a wide range of wire cross sections from 0.08 – 35mm²
- Alternate or staggered jumpers made in the field by simply breaking and removing jumper contacts
- Wide variety of terminal sizes and configurations including multiple conductors and decks, earth, sensor, high-current, fused and disconnect terminals
- Modular PCB terminal strips with cage clamp connection in various sizes and pin-spacing to suit any PCB solution
- Multi-connection system and WINSTA plugs and sockets suitable for lighting, power, and control connections
- Full range of accessories to complement any wire-termination solution

SPECIFICATIONS

Product Series	281
Component Type Termination Wiring	Terminal
Number of Conductors	2 qty
Number of Potentials	1
Connection / Termination	Cage Clamp Terminal(s)
Colour, Body / Housing	Grey colour
Conductor Entry Position	Front
Conductor Entry Angle	Horizontal
Wire / Conductor Size, Rigid Cable, Min	0.08 mm ² min
Wire / Conductor Size, Rigid Cable, Max	4 mm ² max
Wire / Conductor Size, Flex Cable, Min	0.08 mm ² min
Wire / Conductor Size, Flex Cable, Max	4 mm ² max
Wire Strip Length, Min	9 mm
Wire Strip Length, Max	10 mm
In, Rated Current	32 A
Un, Nominal Voltage	800 V
Rated surge voltage	8 kV
Pollution Degree	3
Marking Position	Centre
Fire Load	0.149 MJ
Mounting	DIN-35 Rail Mount
Ex i Suitable	No
IECEX Certified	No
Height	59 mm
Width	6 mm
Depth	29 mm
Weight	0.008154 kg

Catalogue No: **281-901**

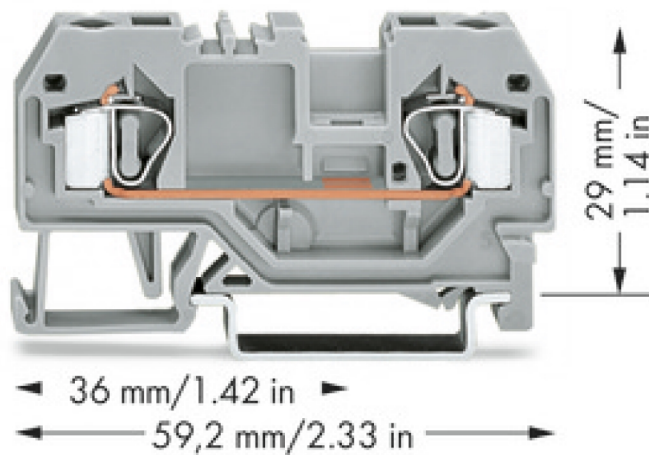
SCREWLESS TERMINAL 4mm 2 CONDUCTOR 32A GREY

Termination and Wiring Systems > Terminals and Pre-Wired Cables > Terminals - Screwless > WAGO Screwless Terminals > Series 281 - 4mm² Cage Clamp Terminals > Through terminal



Certifications	RoHS CSA KEMA UL CCA
Shipping Approvals	ABS (American Bureau of Shipping) BV (Bureau Veritas) DNV-GL (Det Norske Veritas Germanischer Lloyd) Lloyd's Register of Shipping KR (Korean Register of Shipping) PRS (Polish Register of Shipping)

REFERENCES	
IECEX Certificate	-
Supplier Declaration of Conformity:	-
Installation Guide:	-
User Manual:	-
Manufacturer Datasheet:	-
Manufacturer Catalogue & Product Selection:	281901_Manufacturer Catalogue



Dimension Diagram

Catalogue No: **281-901**

SCREWLESS TERMINAL 4mm 2 CONDUCTOR 32A GREY

Termination and Wiring Systems > Terminals and Pre-Wired Cables > Terminals - Screwless > WAGO Screwless Terminals > Series 281 - 4mm² Cage Clamp Terminals > Through terminal



Connection / Wiring Diagram