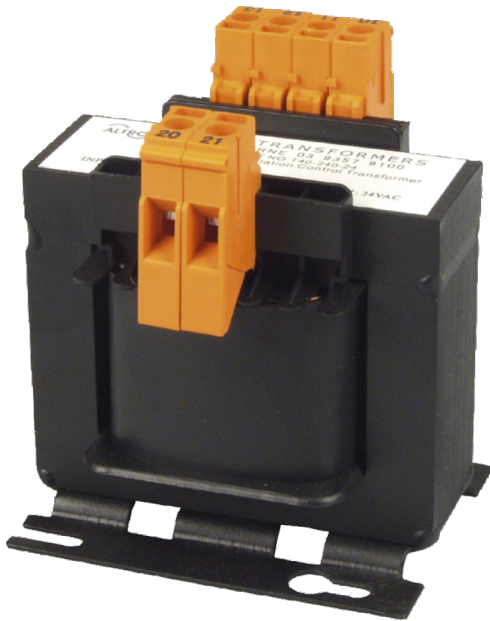


Catalogue No: **2402440**

TRANSFORMER 240V AC TO 24V AC 40VA

Power Distribution and Protection > Power Supplies and Transformers > Transformers > NHP Control Transformers > Standard Control Transformers > 240V AC Primary Control Transformers

NHP



Standard control transformer, 40 VA, 240 V AC input 24 V AC output

- Voltage compensation (+5/-5%) available on secondary terminals
- Isolation between primary and secondary windings
- Insulation Class F (155°C)
- Low magnetic stray field and high efficiency

Representative Photo Only
(actual product may vary based on configuration selections)

SPECIFICATIONS

| | |
|--------------------------------|------------------------------|
| Component Type Transformer | Standard Control Transformer |
| Rated Frequency | 50 / 60 Hz |
| Input Voltage, AC, Nom | 240 V AC nom |
| Output Voltage, AC, Nom | 24 V AC nom |
| Terminal Type | Screw Terminal(s) |
| Weight | 1.4 kg |
| Transformer Type | Standard Control Transformer |
| VA Rating | 40 VA |
| Height | 95 mm |
| Width | 78 mm |
| Depth | 72 mm |
| Insulation Class | F |
| Voltage Tolerance on Terminals | 5 +/-% |
| Standards Compliance | AS/NZS 61558 |

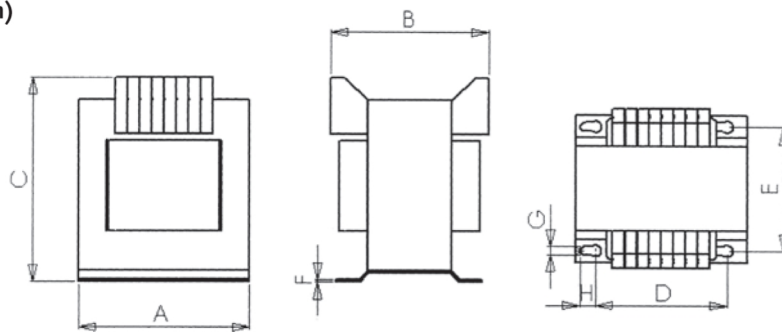
REFERENCES

| | |
|---------------------------------------------|---|
| IECEX Certificate | - |
| Supplier Declaration of Conformity: | - |
| Installation Guide: | - |
| User Manual: | - |
| Manufacturer Datasheet: | - |
| Manufacturer Catalogue & Product Selection: | - |



| Rating (VA) | Dimensions (in mm) | | | | | | | | Weight (kg) | Input voltage (V AC) | Output voltage (V AC) | Cat. No. |
|-------------|--------------------|-----|-----|-----|------|-----|-----|----|-------------|----------------------|-----------------------|----------|
| | A | B | C | D | E | F | G | H | | | | |
| 40 VA | 78 | 72 | 95 | 56 | 46 | 1.2 | 4.6 | 8 | 1.4 | 240 | 24 | 2402440 |
| 63 VA | 78 | 72 | 95 | 56 | 46 | 1.2 | 4.6 | 8 | 1.5 | 240 | 24 | 2402463 |
| 100 VA | 85 | 75 | 98 | 64 | 62 | 1.5 | 4.6 | 8 | 1.83 | 240 | 24 | 24024100 |
| 160 VA | 96 | 92 | 110 | 84 | 73.5 | 1.5 | 5.8 | 10 | 2.5 | 240 | 24 | 24024160 |
| 250 VA | 96 | 100 | 110 | 84 | 85 | 1.5 | 5.8 | 10 | 3.4 | 240 | 24 | 24024250 |
| 400 VA | 120 | 100 | 130 | 90 | 85 | 2.0 | 5.8 | 10 | 5.55 | 240 | 24 | 24024400 |
| 630 VA | 150 | 110 | 155 | 122 | 90 | 2.0 | 7 | 14 | 8.4 | 240 | 24 | 24024630 |
| 800 VA | 150 | 130 | 155 | 122 | 105 | 2.0 | 7 | 14 | 9.5 | 240 | 24 | 24024800 |

Dimensions (mm)



Dimension Diagram