



Representative Photo Only  
(actual product may vary based on configuration selections)

Relay Monostable 20A 1 N/O+1 N/C 24V DC Coil

- Complete range from PCB to power relays to cover all of your switching requirements
- International certifications and approvals including CE, CSA, EAC, PCT, RINA, VDE and RoHS, providing quality assurance of a market leading product
- Compact construction allowing for most efficient use of your space

**SPECIFICATIONS**

Product Series	22
Component Type Timers and Control relays	Relay
Contact Configuration	1 NO + 1 NC
In, Rated Current	20 A
Icw, Short Time Withstand Current, 10ms (rms)	30 A, 10ms
Un, Nominal Operational Voltage, AC	250 V AC
Ue, Rated Operational Voltage, AC, max	400 V AC
Contact Breaking Capacity, DC1, 30V	20 A
Contact Breaking Capacity, DC1, 110V	0.3 A
Contact Breaking Capacity, DC1, 220V	0.12 A
Rated Load, AC-1	5000 VA
Rated Load, AC-15	1000 VA
Coil Type	DC
Coil Voltage, DC, Nom	24 V DC
Coil Voltage, DC, Min	21.6 V DC
Coil Voltage, DC, Max	36.4 V DC
Material, Contacts	Silver Tin Oxide (AgSnO <sub>2</sub> ) material
Mechanical Service Life	500000 cycles
Electrical Service Life at Un, In	50000 cycles
IP Rating	IP20
Total Making Time	15 ms
Total Breaking Time	8 ms
Insulation Voltage, between Coil & Contacts	4000 V
Mounting	DIN-35 Rail Mount
Operating Temperature, Min	-40 °C min
Operating Temperature, Max	40 °C max
Height	84 mm
Width	17.4 mm

# Catalogue No: **22.23.24 V DC**

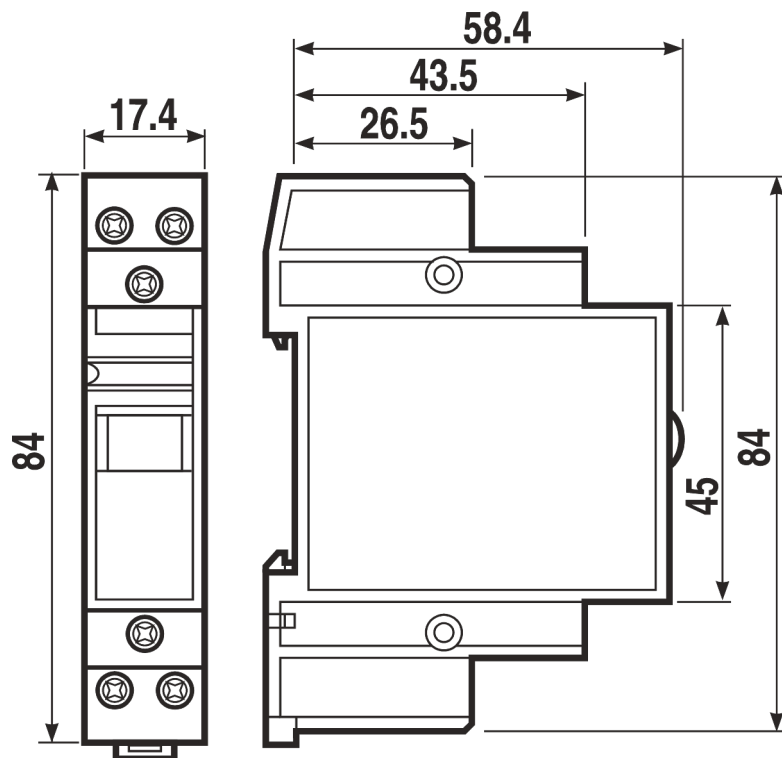
## MODULAR MONOSTABLE RELAY 20A 1NO 1NC 24VDC COIL

Timers and Control Relays > General Purpose Relays > Electromechanical Relays > Finder Electromechanical Relays > Power Relays > 22 Series Monostable Relays and Modular Contactors



Depth	58.4 mm
Shock Acceleration (Max.)	10 g
Vibration Acceleration (Max.)	10 m/s <sup>2</sup>
Vibration Frequency, Operational (Max.)	150 Hz
Certifications	CE EAC GOST-R

REFERENCES	
IECEX Certificate	-
Supplier Declaration of Conformity:	-
Installation Guide:	-
User Manual:	-
Manufacturer Datasheet:	-
Manufacturer Catalogue & Product Selection:	-

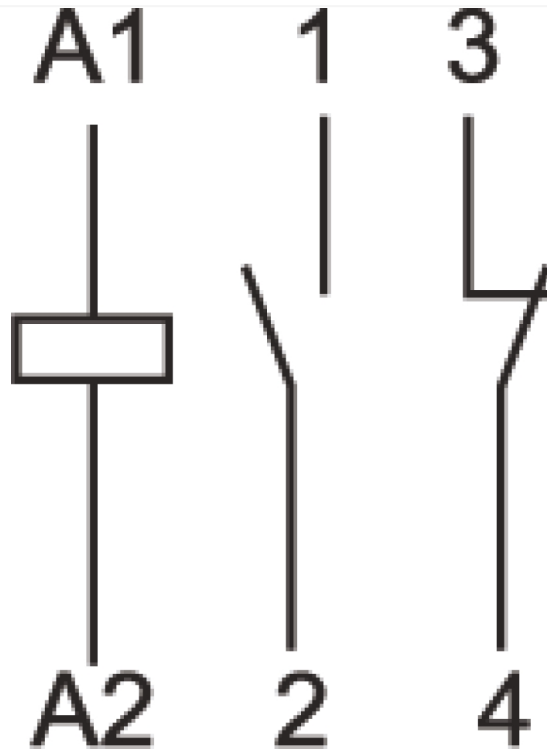


Dimension Diagram

Catalogue No: **22.23.24 V DC**

**MODULAR MONOSTABLE RELAY 20A 1NO 1NC 24VDC COIL**

Timers and Control Relays > General Purpose Relays > Electromechanical Relays > Finder Electromechanical Relays > Power Relays > 22 Series Monostable Relays and Modular Contactors



Connection / Wiring Diagram