

Catalogue No: 20.23 48 V AC

MODULAR STEP RELAY 16A 1NO 1NC 48VAC COIL

Timers and Control Relays > General Purpose Relays > Electromechanical Relays > Finder Electromechanical Relays > Step Relays > 20 Series Modular Step Relays



Representative Photo Only
(actual product may vary based on configuration selections)

Modular Step Relay 16A 1 N/O 1 N/C 48V AC Coil

- Complete range from PCB to power relays to cover all of your switching requirements
- Certifications and approvals including CE, EAC, PCT, RINA, VDE and RoHS, providing quality assurance of a market leading product.
- Compact construction allowing for most efficient use of space

SPECIFICATIONS

Product Series	20
Component Type Timers and Control relays	Relay
Contact Configuration	1 NO + 1 NC EB 1st Contact
In, Rated Current	16 A
Icw, Short Time Withstand Current, 10ms (rms)	30 A, 10ms
Un, Nominal Operational Voltage, AC	250 V AC
Ue, Rated Operational Voltage, AC, max	400 V AC
Rated Load, AC-1	4000 VA
Rated Load, AC-15	750 VA
Coil Voltage, AC, Nom	48 V AC
Coil Voltage, AC, Min	40.8 V AC
Coil Voltage, AC, Max	52.8 V AC
Material, Contacts	Silver Nickel (AgNi) material
Mechanical Service Life	300000 cycles
Electrical Service Life at Un, In	100000 cycles
IP Rating	IP20
Insulation Voltage, between Coil & Contacts	4000 V
Dielectric Strength, between open Contacts	2000 V AC
Mounting	DIN-35 Rail Mount
Operating Temperature, Min	-40 °C min
Operating Temperature, Max	40 °C max
Vibration Duration (Max.)	60 min
Certifications	CE EAC IMQ GOST-R C-UR-US

Catalogue No: **20.23 48 V AC**

MODULAR STEP RELAY 16A 1NO 1NC 48VAC COIL

Timers and Control Relays > General Purpose Relays > Electromechanical Relays > Finder Electromechanical Relays > Step Relays > 20 Series Modular Step Relays



REFERENCES

IECEX Certificate -

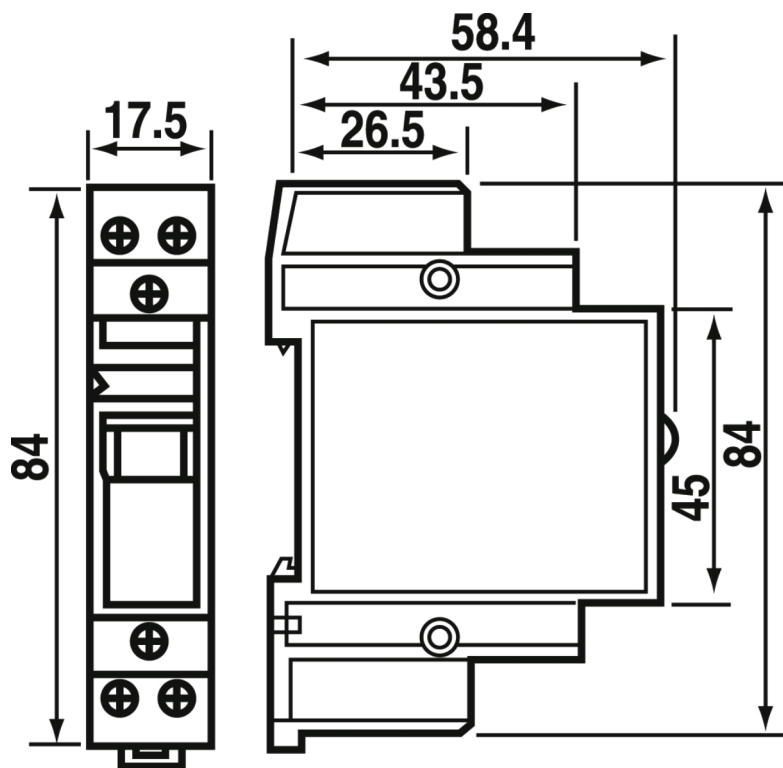
Supplier Declaration of Conformity: -

Installation Guide: -

User Manual: -

Manufacturer Datasheet: -

Manufacturer Catalogue & Product Selection: -

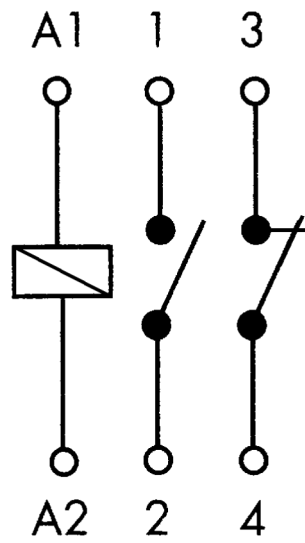


Dimension Diagram

Catalogue No: **20.23 48 V AC**

MODULAR STEP RELAY 16A 1NO 1NC 48VAC COIL

Timers and Control Relays > General Purpose Relays > Electromechanical Relays > Finder Electromechanical Relays > Step Relays > 20 Series Modular Step Relays



20.23

Connection / Wiring Diagram