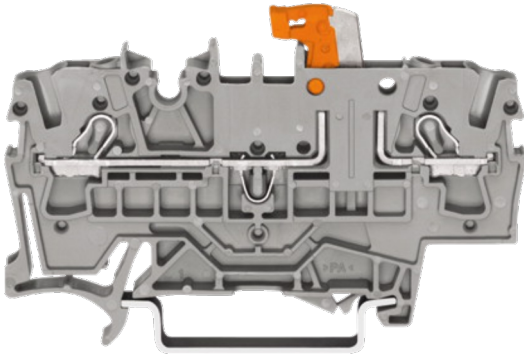




2.5mm Terminal Disconnect Grey 2 Conductor

Stripped solid conductors, stranded conductors with ferruls or ultrasonically "bonded" conductors are easily connected by simply pushing the wire into the wire entry. Utilising only a screwdriver to open the clamp, this represents a significant time and cost saving. For conductors between 0.5mm² and 16mm² 2, 3, 4 conductor terminal blocks Double deck and triple terminal blocks plus fuse and disconnect terminals



Representative Photo Only
(actual product may vary based on configuration selections)

SPECIFICATIONS

Product Series	2002
Component Type Termination Wiring	Terminal
Number of Conductors	2 qty
Number of Potentials	2
Connection / Termination	Cage Clamp Terminal(s)
Material, Body / Housing	Nylon / PA6 / PA66 (Polyamide 6) material
Colour, Body / Housing	Grey colour
Flammability Rating (UL94)	UL 94 V-0
Conductor Entry Position	Front
Conductor Entry Angle	Horizontal
Wire / Conductor Size, Rigid Cable, Min	0.25 mm ² min
Wire / Conductor Size, Rigid Cable, Max	4 mm ² max
Wire / Conductor Size, Flex Cable, Min	0.25 mm ² min
Wire / Conductor Size, Flex Cable, Max	4 mm ² max
Wire Strip Length, Min	10 mm
Wire Strip Length, Max	12 mm
In, Rated Current	16 A
Un, Nominal Voltage	400 V
Rated surge voltage	6 kV
Pollution Degree	3
Marking Position	Centre / Side
Fire Load	0.156 MJ
Mounting	DIN-35 Rail Mount
Ex i Suitable	No
IECEX Certified	No
Height	66.1 mm
Width	5.2 mm
Depth	32.9 mm

Catalogue No: **2002-1671**

SCREWLESS TERMINAL KNIFE DISCONNECT 2.5mm² 2 CONDUCTOR 16A GY

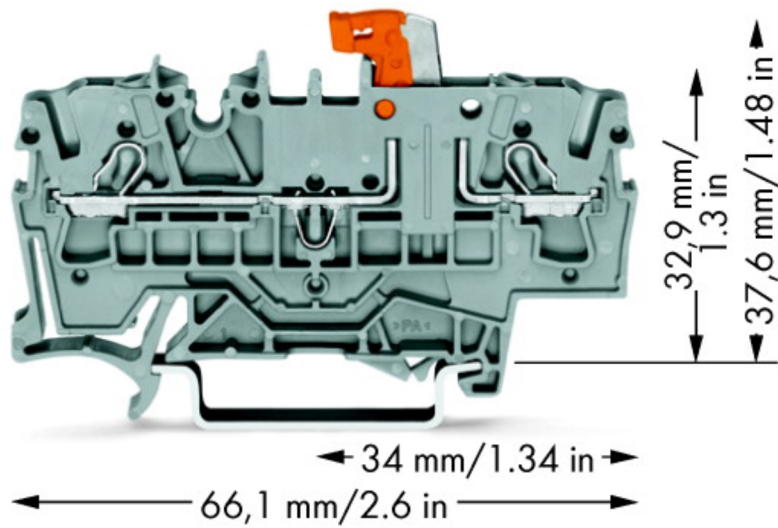
Termination and Wiring Systems > Terminals and Pre-Wired Cables > Terminals - Screwless > WAGO Screwless Terminals > Series 2002 - 2.5mm² TOPJOB S Terminals > Series 2002 - Disconnect Terminals - Knife Disconnect Terminals



Weight	0.007474 kg
Standards Compliance	EN 60947-7-1 IEC 60947-7-1
Certifications	CCA CSA RoHS UL

REFERENCES

IECEX Certificate	-
Supplier Declaration of Conformity:	-
Installation Guide:	-
User Manual:	-
Manufacturer Datasheet:	-
Manufacturer Catalogue & Product Selection:	20021671_Manufacturer Catalogue



Dimension Diagram

Catalogue No: **2002-1671**

SCREWLESS TERMINAL KNIFE DISCONNECT 2.5mm² 2 CONDUCTOR 16A GY

Termination and Wiring Systems > Terminals and Pre-Wired Cables > Terminals - Screwless > WAGO Screwless Terminals > Series 2002 - 2.5mm² TOPJOB S Terminals > Series 2002 - Disconnect Terminals - Knife Disconnect Terminals



Connection / Wiring Diagram