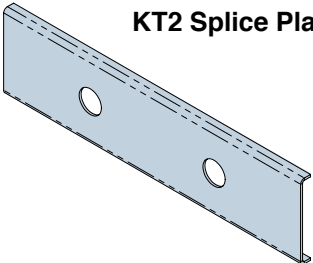
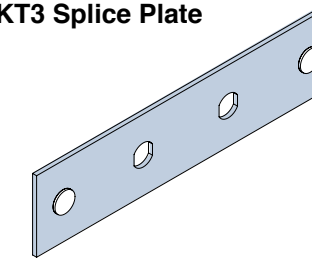
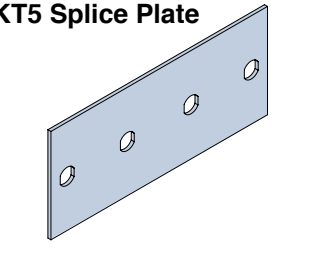
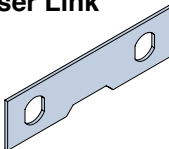
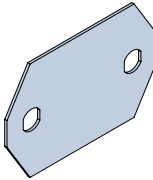
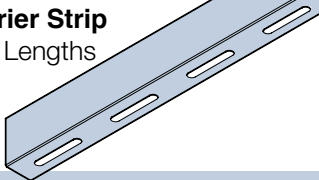
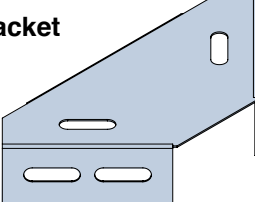
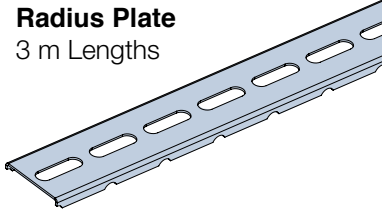
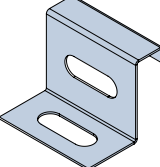
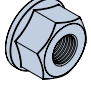
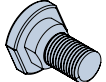


Ladder Tray Accessories

Ladder Tray Accessories

<p>KT2 Splice Plate</p>  <p>CODE: KT2SP</p>	<p>KT3 Splice Plate</p>  <p>CODE: KT3SP</p>	<p>KT5 Splice Plate</p>  <p>CODE: KT5SP</p>
<p>KT2 Riser Link KT3 Riser Link</p>  <p>CODE: KT2LP CODE: KT3LP</p>	<p>KT5 Riser Link</p>  <p>CODE: KT5LP</p>	<p>Barrier Strip 3 m Lengths</p>  <p>CODE: KT2BS CODE: KT3BS CODE: KT5BS</p>
<p>TX Bracket</p>  <p>CODE: KT2TX CODE: KT3TX CODE: KT5TX</p>	<p>Radius Plate 3 m Lengths</p>  <p>CODE: KT2RP CODE: KT3RP CODE: KT5RP</p>	<p>Hold Down Clamp</p>  <p>CODE: KT2HDC CODE: KT3HDC CODE: KT5HDC</p>
<p>Tray Whizz Nut</p>  <p>CODE: KTN</p>	<p>Tray Bolt</p>  <p>CODE: KTB</p>	

When Ordering

Range	Type	Accessories	Std.Finish	Fastenings	Finish
KT KT = Ladder Tray	2 2 = 45 mm High Side Light Duty 3 = 50 mm High Side Medium Duty 5 = 85 mm High Side Heavy Duty	SP SP = Splice Plate HDC = Hold Down Clamp LP = Link Plate BS = Barrier Strip TX = Tee/Cross Bracket RP = Radius Plate B = Tray Bolt N = Tray Nut	G G = Galvabond H = Hot Dip Galvanised Z = Zinc Plated	NOTE: Tray Bolt and Tray Nuts are supplied separately Standard Zinc Plate or Galvanised	PC-COL PC-COL = Paint Painted Finish to Kounis standard colour range
ORDERING EXAMPLE SHOWN: Ladder Tray KT2 Light Duty 45 mm high Splice Plates Galvabond Painted Finish to specification colour.					