

SECTION: 8 CHANNEL

- K-Strut
- Accessories

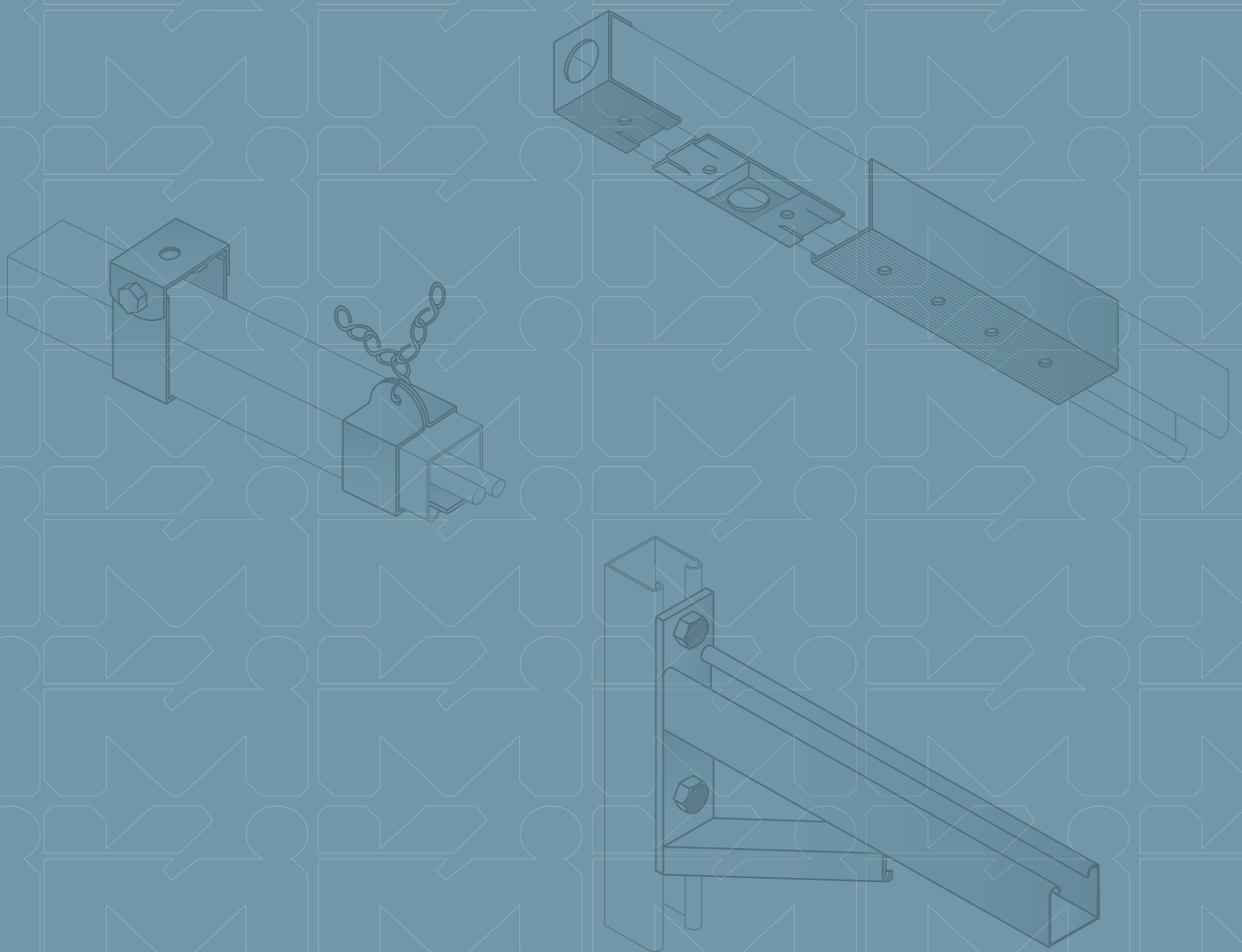
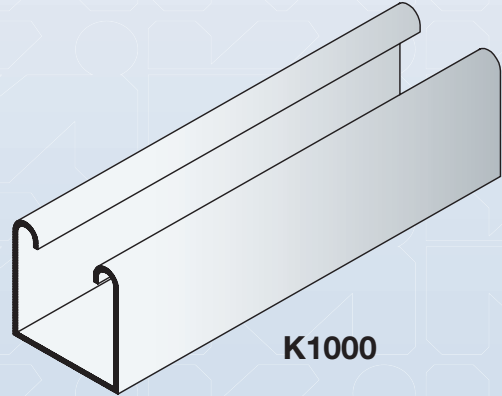
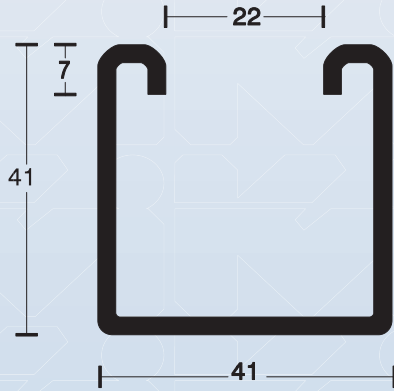


Table of Contents

	Page
Channels	
Series K1000	2
Series K2000	3
Series K3300	4
Series K4000	5
Series K5500	5
General Fittings	
Cantilever Brackets	7
Braced Cantilever Brackets	8
Pipe, Cable & Conduit Clamps	9
Threaded Rods	9
Threaded Rod Couplers	9
Column Support Applications	10
Channel Carriages	11
Angular Fittings	11
90° Fittings	12
Flat Plate Fittings	13
'U' & 'Z' Fittings	13
Pipe Supports	14-15
Wooden Blocks	15
Insulation Barriers	15
Deep Saddles	16
Stand Off Brackets	16
'U' Bolts	16
Single Pipe Clamps	16
Lighting Supports & Accessories	17
General Accessories	17
Joiner Boxes	17
Support Hangers	18
Typical Support Applications	19
Channel Nuts	20
Screws, Nuts & Washers	21
Beam Clamps	22
K - Strut Fittings	23

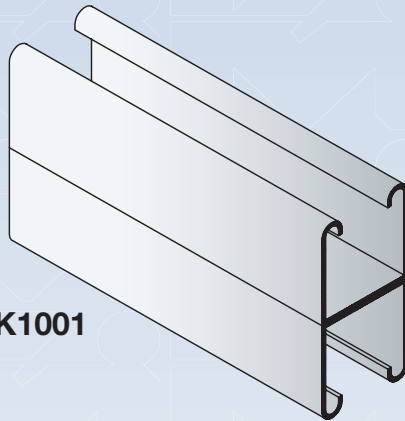
E. & O.E.

SERIES K1000 CHANNELS



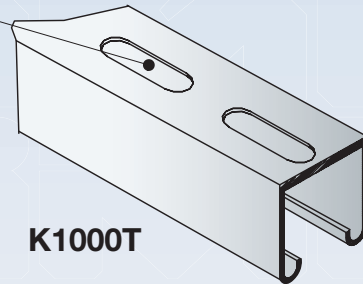
K1000

Roll Formed from 2.5mm thick plain steel.
 Also available HDG, Galvabond® and 316 grade
 Stainless Steel; Slotted 14 x 30 obround (T); Powder
 Coating and special paint finishes on request.
 Available in 6 metre lengths. Weight 2.6kg/m.



K1001

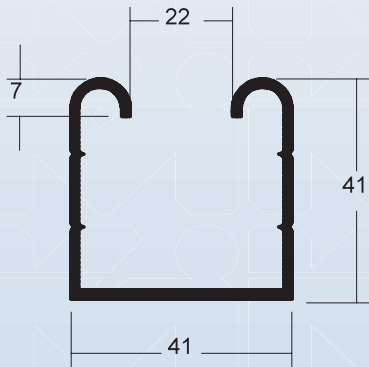
14 X 30 SLOTS



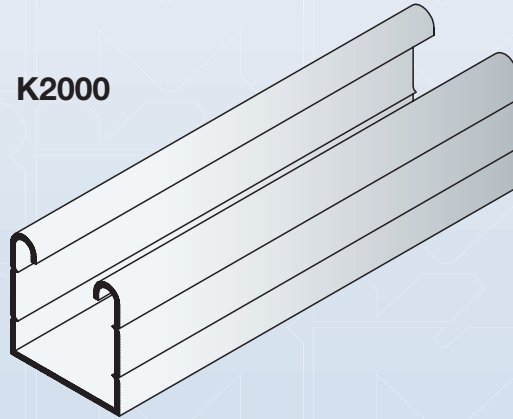
K1000T

E. & O.E.

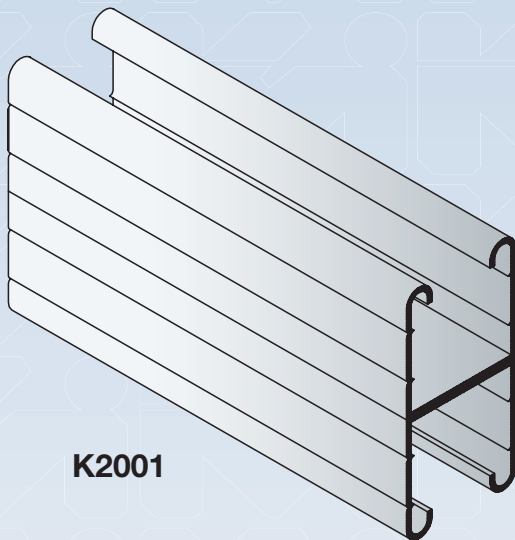
SERIES K2000 CHANNELS



K2000

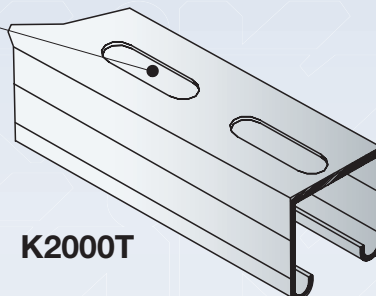


Roll Formed from 1.6mm thick plain steel.
Also available Galvabond®; Slotted 14 x 30 obround (T);
Powder Coating and special paint finishes on request.
Available in 6 metre lengths. Weight 1.8kg/m.



K2001

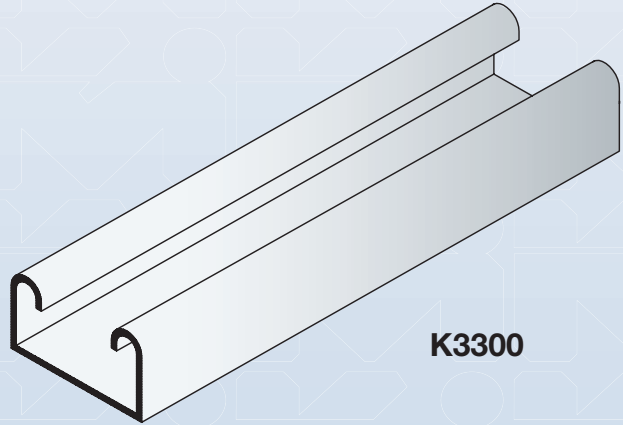
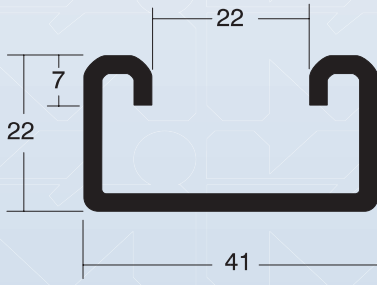
14 X 30 SLOTS



K2000T

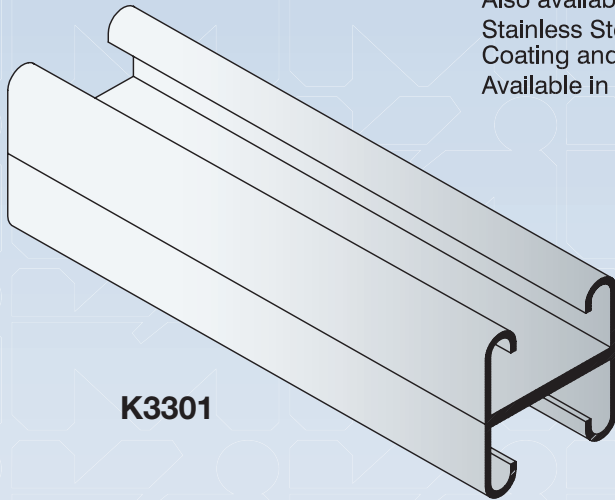
E. & O.E.

SERIES K3300 CHANNELS



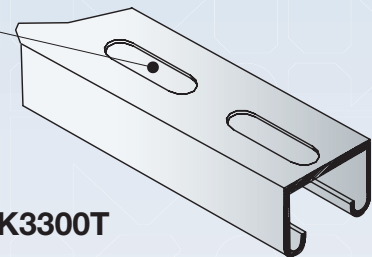
K3300

Roll Formed from 2.5mm thick plain steel.
 Also available HDG, Galvabond® and 316 grade
 Stainless Steel; Slotted 14 x 30 obround (T); Powder
 Coating and special paint finishes on request.
 Available in 6 metre lengths. Weight 1.9kg/m.



K3301

14 X 30 SLOTS



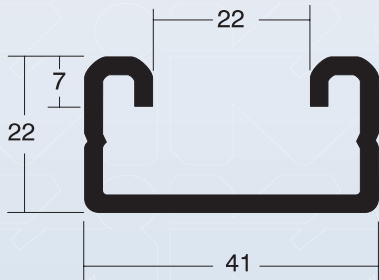
K3300T

E. & O.E.

K-STRUT ELECTRICAL AND PIPE SUPPORT SYSTEMS

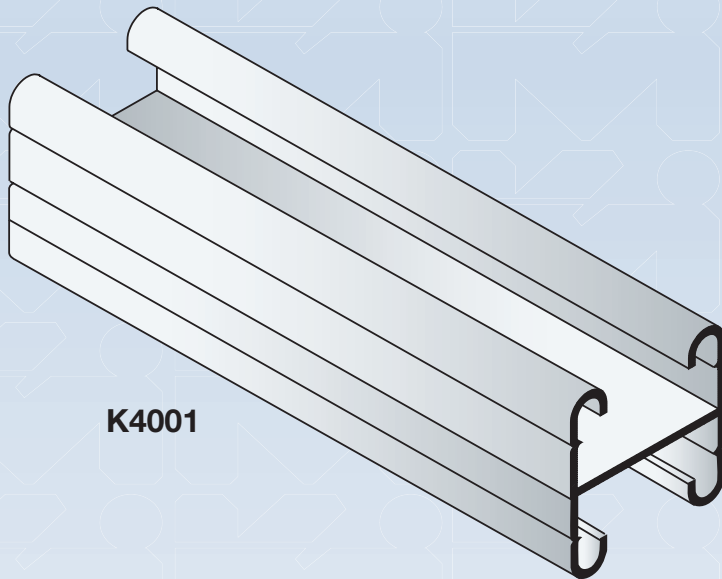
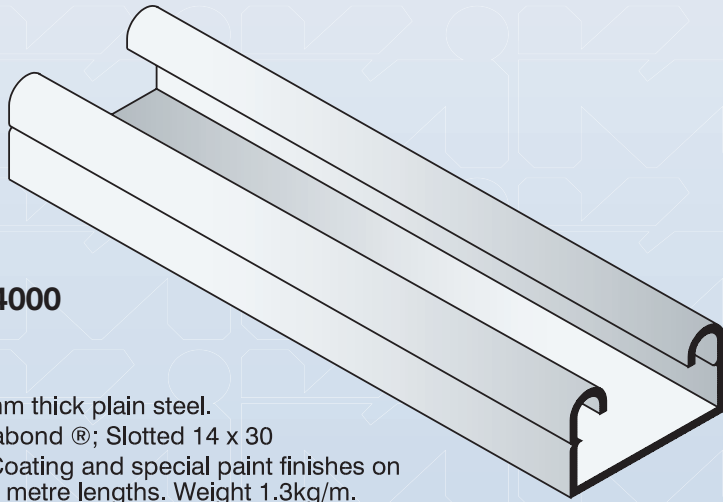
SERIES K3300 CHANNELS

SERIES K4000 CHANNELS



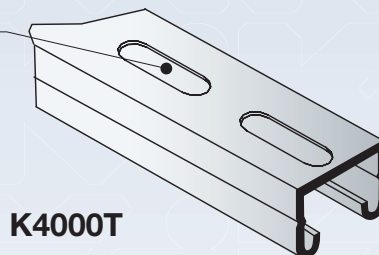
K4000

Roll Formed from 1.6mm thick plain steel.
Also available in Galvabond®; Slotted 14 x 30
obround (T); Powder Coating and special paint finishes on
request. Available in 6 metre lengths. Weight 1.3kg/m.



K4001

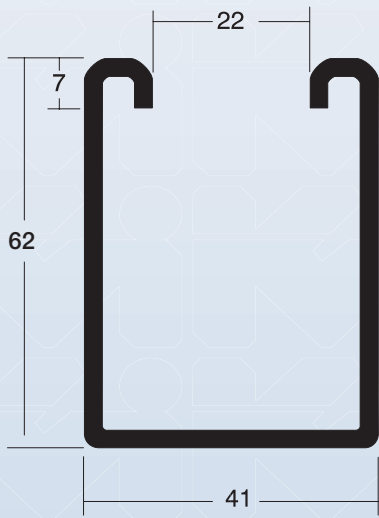
14 X 30 SLOTS



K4000T

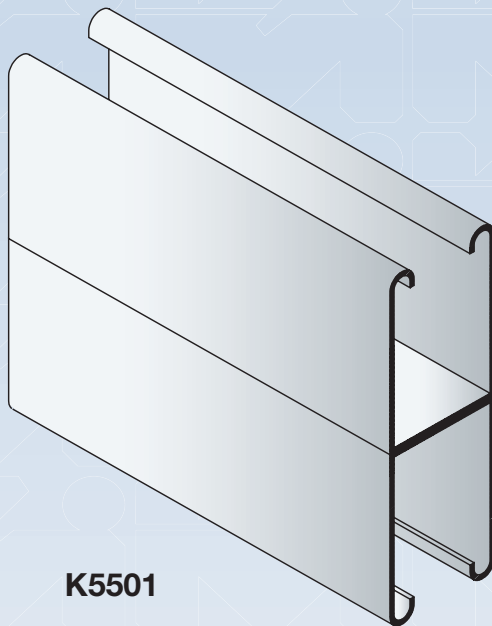
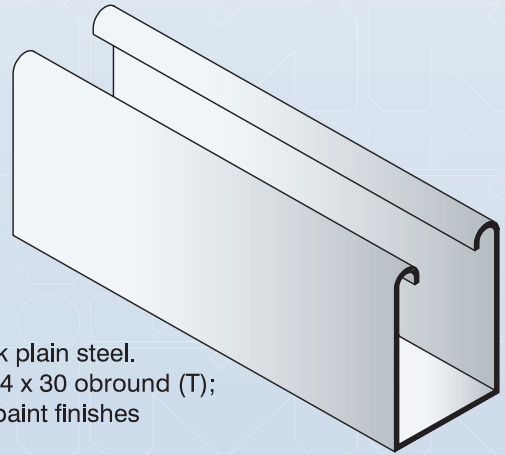
E. & O.E.

SERIES K5500 CHANNELS



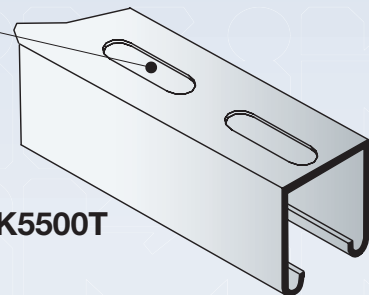
K5500

Roll Formed from 2.5mm thick plain steel.
 Also available HDG; Slotted 14 x 30 obround (T);
 Powder Coating and special paint finishes
 on request.
 Available in 6 metre lengths. Weight 3.4kg/m.



K5501

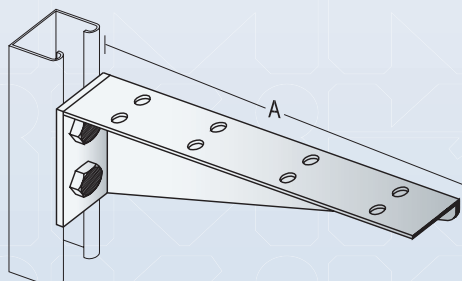
14 X 30 SLOTS



K5500T

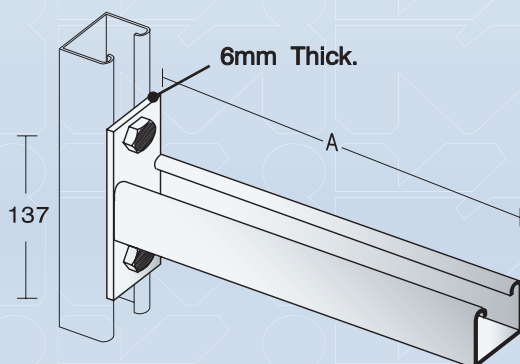
E. & O.E.

CANTILEVER BRACKETS



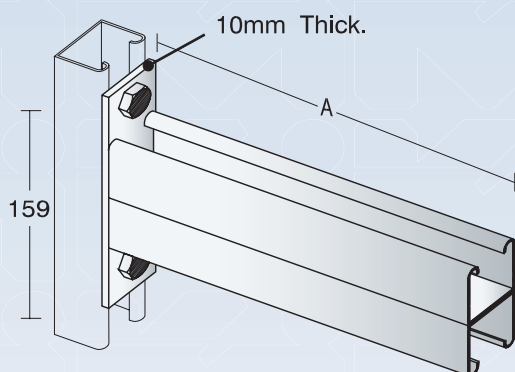
2.5 mm Galvabond Z300

	LENGTH "A"
K2491	152 mm
K2492	203 mm
K2493	254 mm
K2494	305 mm
K2495	356 mm
K2497	457 mm
K2500	610 mm



	LENGTH "A"
K2513F	204 mm
K2514F	350 mm
K2515F	497 mm
K2516F	663 mm
K2517F	780 mm

Finish H.D.G.



	LENGTH "A"
K2542	350 mm
K2543	497 mm
K2544	663 mm
K2545	762 mm
K2546	914 mm

Finish H.D.G.

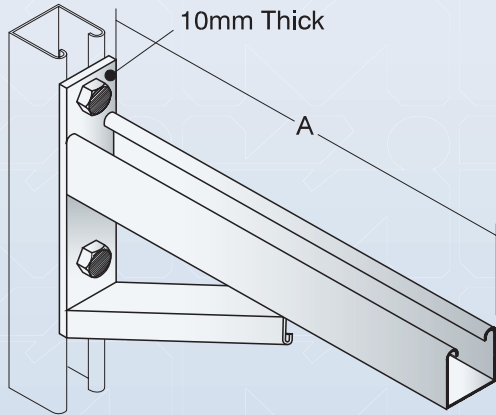
NOTES: Hole diameter 14 mm

HHS1230 M12 x 30 mm hex head set screws and K1010
M12 channel nuts are zinc plated and are ordered separately.

Stainless Steel Brackets and Fixings
available on request.

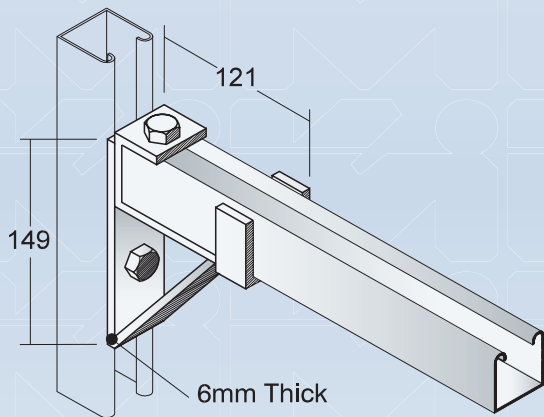
E. & O.E.

BRACED CANTILEVER BRACKETS

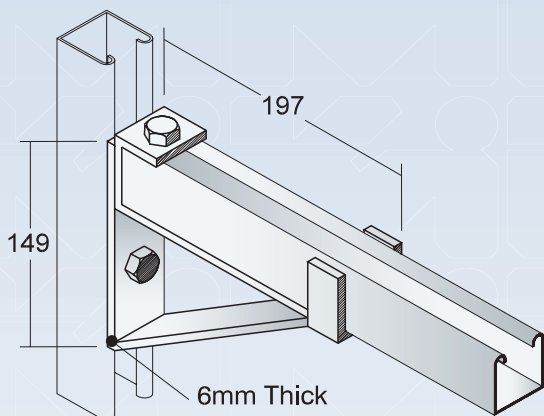


BRACED CANTILEVER BRACKET

	LENGTH "A"
K2514B	350 mm
K2515B	497 mm
K2516B	663 mm
K2517B	780 mm



K1075
Series K1000 channel



K1075A
Series K1000 channel

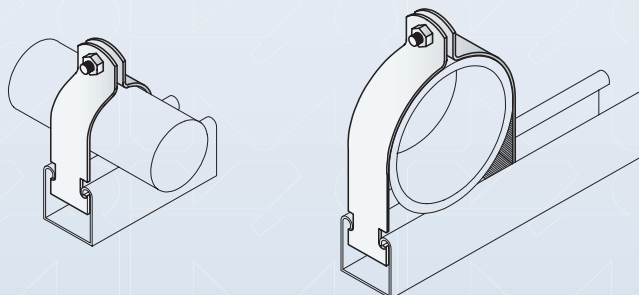
NOTES: Hole diameter 14 mm
HHS1230 M12 x 30 mm hex head set screws and K1010
M12 channel nuts are zinc plated and are ordered separately.

Stainless Steel Brackets and Fixings available on request.

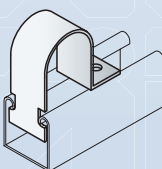
E. & O.E.

PIPE, CABLE & CONDUIT CLAMPS

Part No.	Size	Part No.	Size
K5 8	6mm	K5 86	86mm
K5 10	10mm	K5 89	89mm
K5 12	12mm	K5 92	92mm
K5 16	16mm	K5 95	95mm
K5 18	18mm	K5 98	98mm
K5 20	19mm	K5 102	102mm
K5 21	21mm	K5 105	105mm
K5 22	22mm	K5 108	108mm
K5 25	25mm	K5 111	111mm
K5 27	27mm	K5 114	114mm
K5 29	29mm	K5 117	117mm
K5 32	32mm	K5 121	121mm
K5 34	34mm	K5 127	127mm
K5 35	35mm	K5 133	133mm
K5 38	38mm	K5 139	139mm
K5 42	42mm	K5 146	146mm
K5 43	43mm	K5 152	152mm
K5 44	44mm	K5 159	159mm
K5 48	48mm	K5 165	165mm
K5 49	49mm	K5 178	178mm
K5 51	51mm	K5 191	191mm
K5 54	54mm	K5 203	203mm
K5 57	57mm	K5 219	219mm
K5 60	60mm	K5 230	230mm
K5 64	64mm	K5 241	241mm
K5 67	67mm	K5 254	254mm
K5 70	70mm	K5 305	305mm
K5 76	76mm	K5 315	315mm
K5 79	79mm	K5 324	324mm
K5 83	83mm		

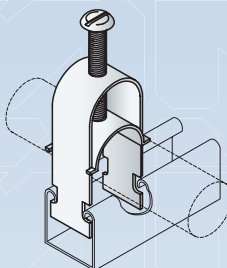


NOTES: All dimensions are pipe O.D.
Nuts and bolts included.
Zinc Plated Finish



	Pipe Dia.	Pipe Dia.	
K1600-34	34mm	K1600- 89	89mm
K1600-43	43mm	K1600-102	102mm
K1600-48	48mm	K1600-114	114mm
K1600-60	60mm	K1600-152	152mm
K1600-76	76mm	K1600-165	165mm

NOTES: Set screw & nut ordered separately.



	Cable Dia.
K5028-1	19mm
K5030-1	25mm
K5032-1	32mm
K5034-1	38mm
K5036-1	44mm
K5038-1	51mm

NOTES: Set screw & nut ordered separately

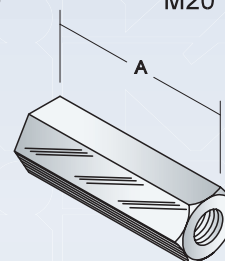
Threaded Rods

Part No.	Thread	Size
KR06	M6	
KR08	M8	
KR10	M10	
KR12	M12	
KR16	M16	
KR20	M20	

Standard Finish: Zinc Plated.
Also available in H.D.G.
Standard length 3.0m

Threaded Rod Couplers

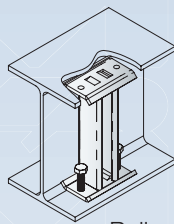
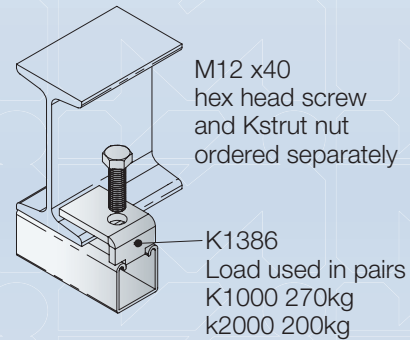
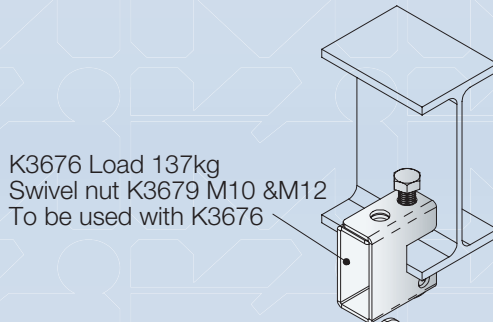
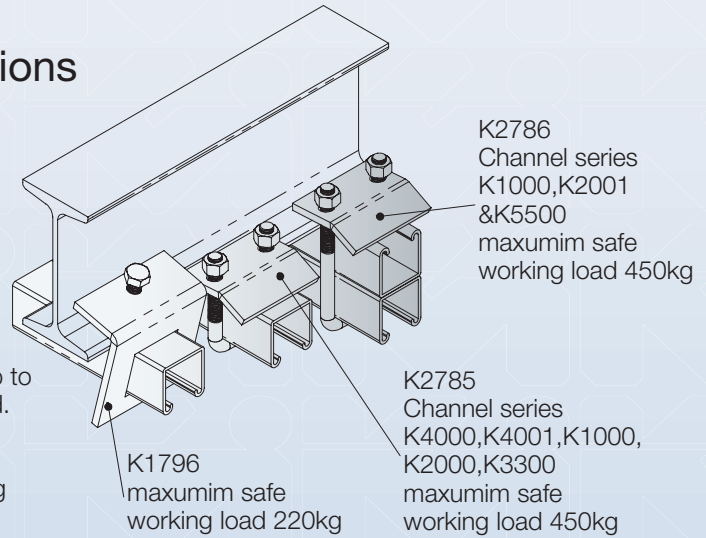
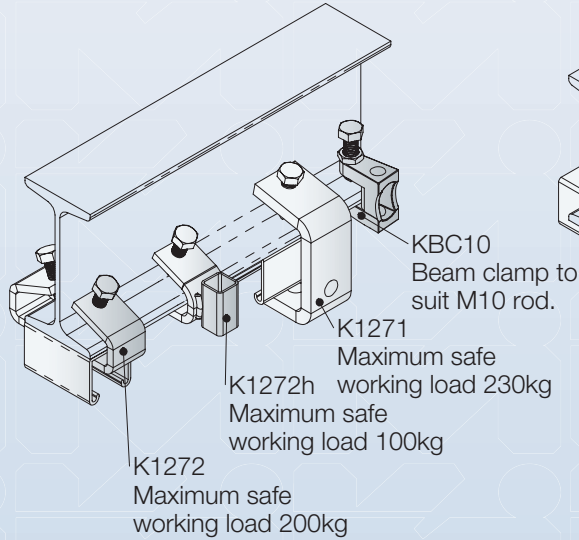
Part No.	Length 'A'	Thread Size
KC06	20	M6
KC08	20	M8
KC10	30	M10
KC12	40	M12
KC16	50	M16
KC20	50	M20



E. & O.E.

K-STRUT FITTINGS

Column Support Applications

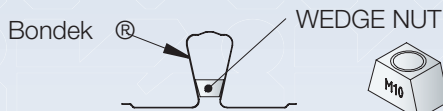
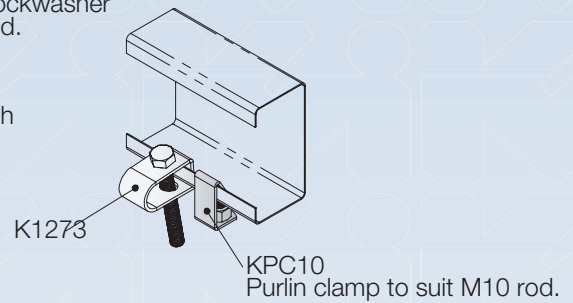
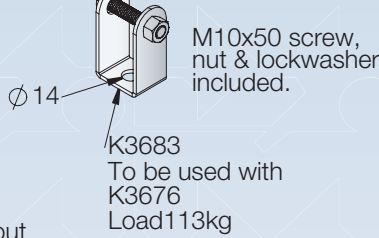


K3087 with K1000
with K2000
Pull-out
450kg
215kg

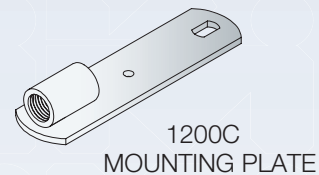
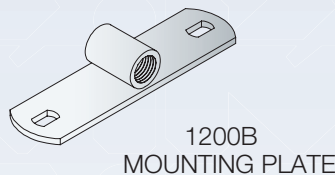
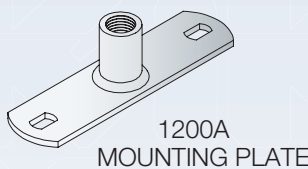
K3088 with K3300
450kg

Slip-out
360kg
135kg

360kg



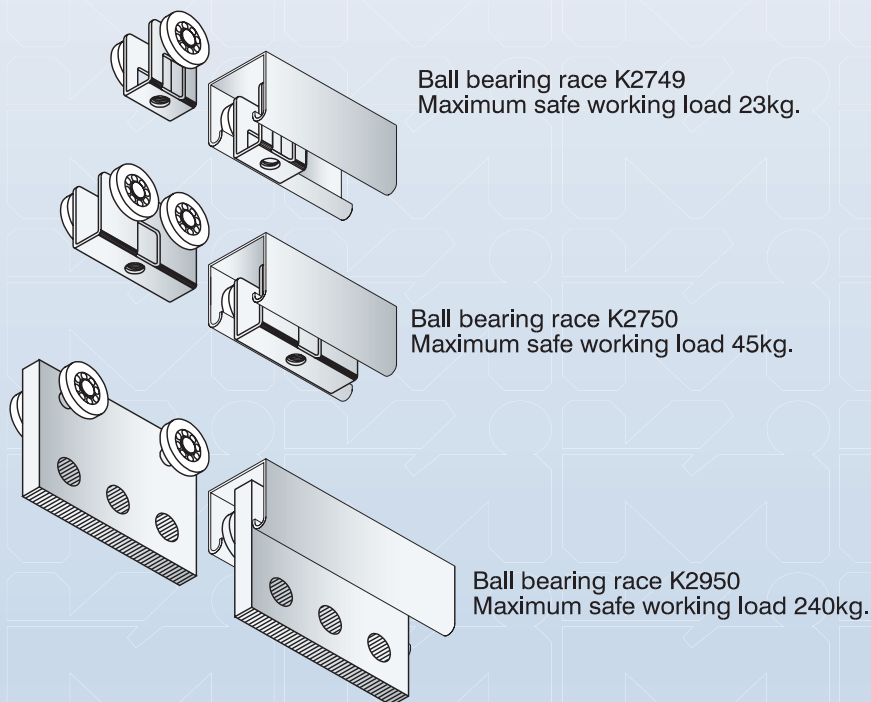
KWM6 WEDGE NUT 6mm FOR BONDEK
KWM8 WEDGE NUT 8mm FOR BONDEK
KWM10 WEDGE NUT 10mm FOR BONDEK
KWM12 WEDGE NUT 12mm FOR BONDEK



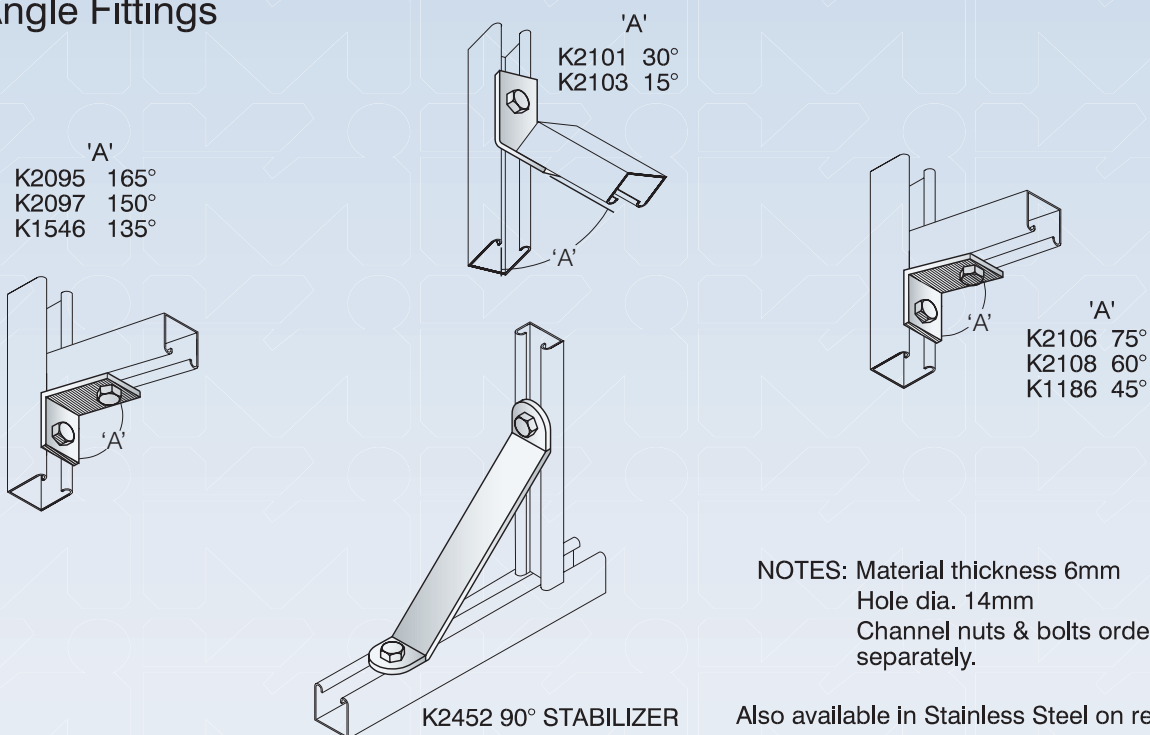
E. & O.E.

K-STRUT FITTINGS

Channel Carriages



Angle Fittings



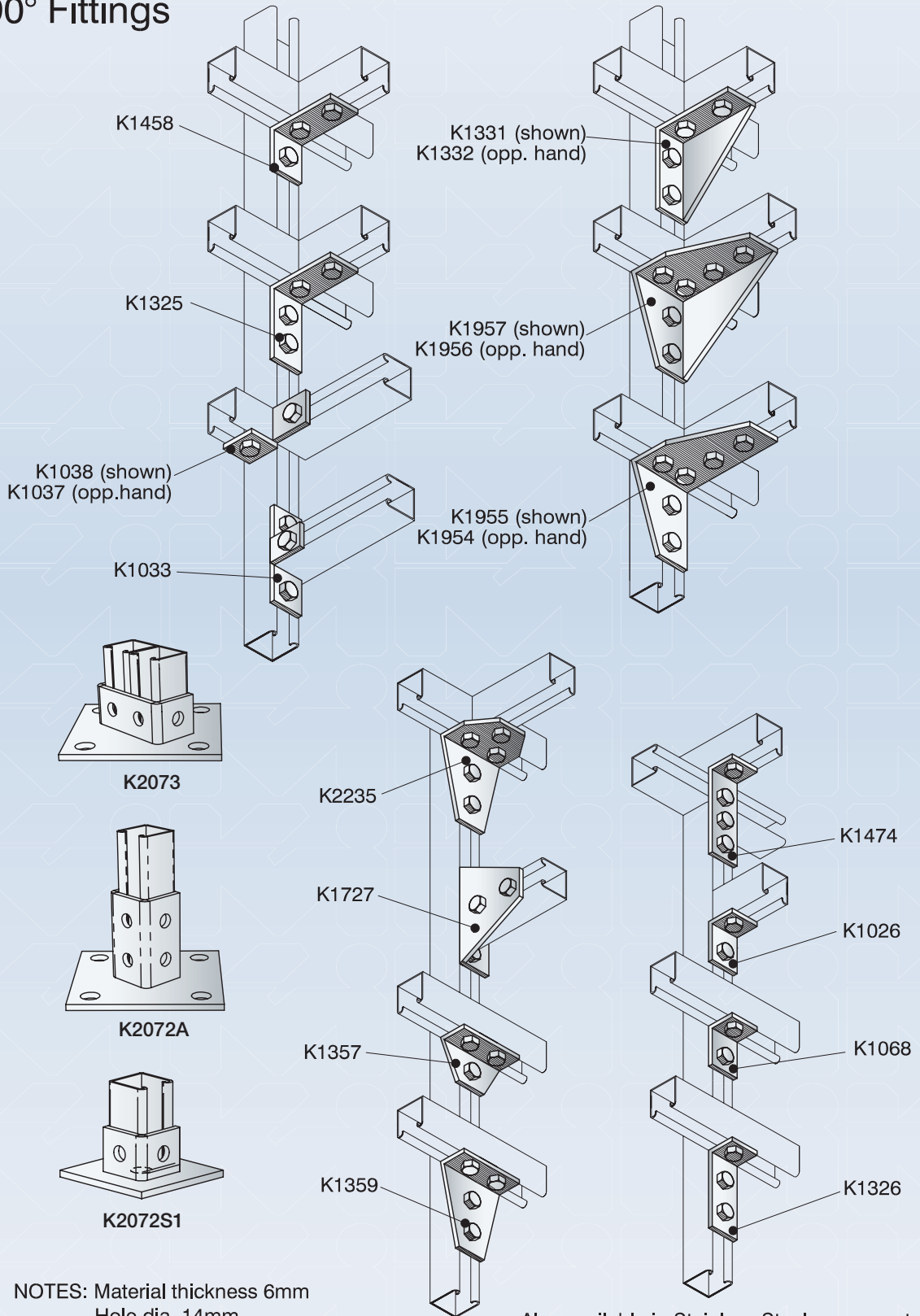
E. & O.E.

K-STRUT FITTINGS

90° Fittings

K-STRUT ELECTRICAL AND PIPE SUPPORT SYSTEMS

K-STRUT FITTINGS



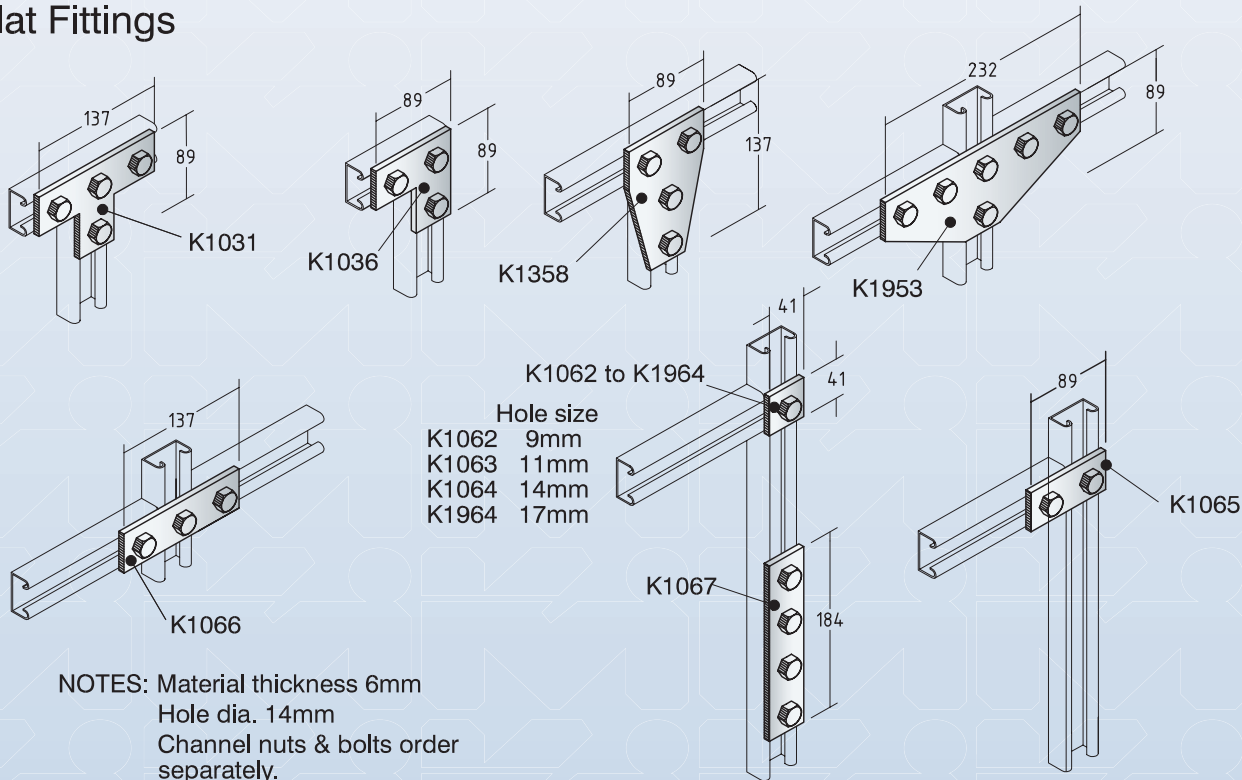
NOTES: Material thickness 6mm
 Hole dia. 14mm
 Channel nuts & bolts order separately.

Also available in Stainless Steel on request.

E. & O.E.

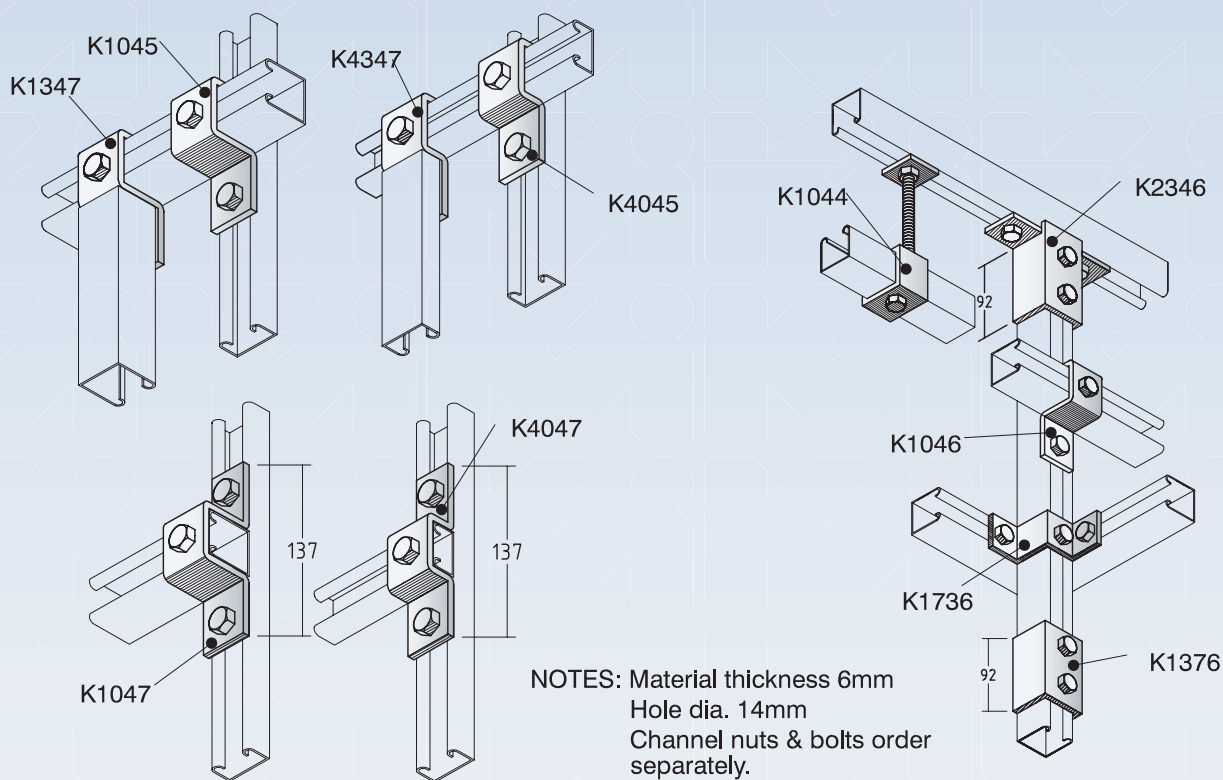
K-STRUT FITTINGS

Flat Fittings



NOTES: Material thickness 6mm
Hole dia. 14mm
Channel nuts & bolts order separately.

"U" & "Z" Fittings



NOTES: Material thickness 6mm
Hole dia. 14mm
Channel nuts & bolts order separately.

Also available in Stainless Steel on request.

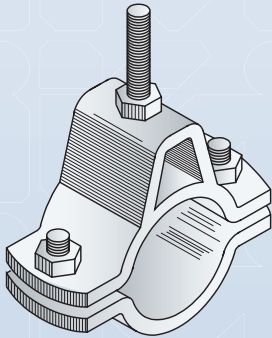
E. & O.E.

K-STRUT FITTINGS

Pipe Supports

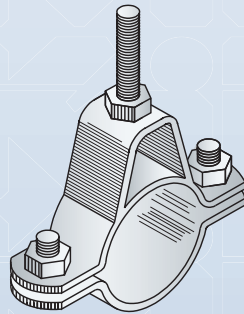
K-STRUT ELECTRICAL AND PIPE SUPPORT SYSTEMS

K-STRUT FITTINGS



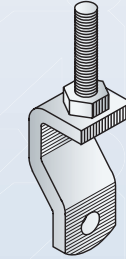
Series K814
MEDIUM DUTY
40mm x 5mm
FINISH HDG

	OUTSIDE DIAMETER
K814- 60	60mm
K814- 76	76mm
K814- 89	89mm
K814-102	102mm
K814-114	114mm
K814-127	127mm
K814-140	140mm
K814-152	152mm
K814-165	165mm
K814-178	178mm
K814-203	203mm
K814-216	216mm
K814-230	230mm



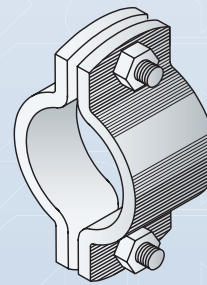
Series K813
LIGHT DUTY
25mm x 3mm
FINISH Z.P.

	OUTSIDE DIAMETER
K813- 19	19mm
K813- 27	27mm
K813- 32	32mm
K813- 34	34mm
K813- 38	38mm
K813- 43	43mm
K813- 48	48mm
K813- 51	51mm
K813- 60	60mm
K813- 64	64mm
K813- 76	76mm
K813- 89	89mm
K813-102	102mm
K813-114	114mm



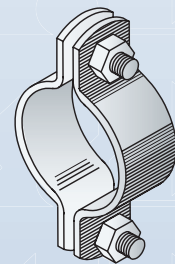
Threaded rod attachment to be ordered separately when required.

Use K991A with K990 series
Use K991B with K991 series



Series K991
MEDIUM DUTY
40mm x 5mm
FINISH HDG

	OUTSIDE DIAMETER
K991- 60	60mm
K991- 76	76mm
K991- 89	89mm
K991-102	102mm
K991-114	114mm
K991-123	123mm
K991-127	127mm
K991-140	140mm
K991-152	152mm
K991-165	165mm
K991-178	178mm
K991-190	190mm
K991-203	203mm
K991-216	216mm
K991-230	230mm
K991-241	241mm
K991-254	254mm
K991-273	273mm
K991-305	305mm
K991-324	324mm



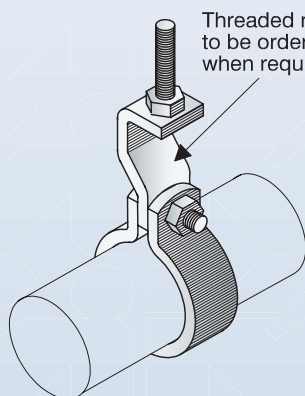
Series K990
LIGHT DUTY
25mm x 3mm
FINISH Z.P.

	OUTSIDE DIAMETER
K990- 12	12mm
K990- 19	19mm
K990- 25	25mm
K990- 27	27mm
K990- 32	32mm
K990- 34	34mm
K990- 38	38mm
K990- 43	43mm
K990- 48	48mm
K990- 51	51mm
K990- 60	60mm
K990- 64	64mm
K990- 76	76mm
K990- 89	89mm
K990-102	102mm
K990-114	114mm
K990-127	127mm
K990-140	140mm
K990-152	152mm
K990-165	165mm

E. & O.E.

K-STRUT FITTINGS

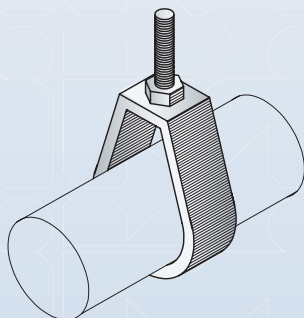
Pipe Supports



Threaded rod attachment to be ordered separately when required.

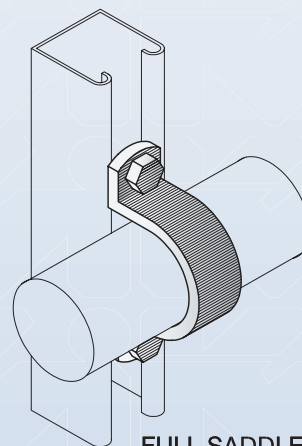
LIGHT DUTY
Series K712
FINISH Z.P.

	OUT. DIA.
K712- 12	12mm
K712- 19	19mm
K712- 25	25mm
K712- 32	32mm
K712- 38	38mm
K712- 43	43mm
K712- 48	48mm
K712- 51	51mm
K712- 60	60mm
K712- 64	64mm
K712- 76	76mm
K712- 89	89mm
K712-102	102mm
K712-114	114mm
K712-152	152mm
K712-165	165mm



PEAR SHAPED
Series K714
FINISH Z.P.

	OUT. DIA.
K714- 12	12mm
K714- 19	19mm
K714- 25	25mm
K714- 32	32mm
K714- 38	38mm
K714- 51	51mm
K714- 64	64mm
K714- 76	76mm
K714- 89	89mm
K714-102	102mm
K714-114	114mm
K714-127	127mm
K714-140	140mm
K714-152	152mm
K714-165	165mm
K714-203	203mm
K714-241	241mm



FULL SADDLES

SERIES K2558

SERIES K2557

40mm wide x 6mm thick
Finish H.D.G.

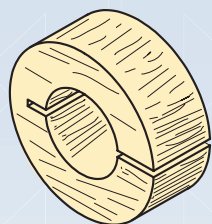
25mm wide x 3mm thick
Finish Zinc Plated.

	OUT. DIA.
K2558- 76	76mm
K2558- 89	89mm
K2558-102	102mm
K2558-114	114mm
K2558-123	123mm
K2558-140	140mm
K2558-152	152mm
K2558-165	165mm
K2558-203	203mm
K2558-220	220mm
K2558-241	241mm
K2558-262	262mm
K2558-324	324mm

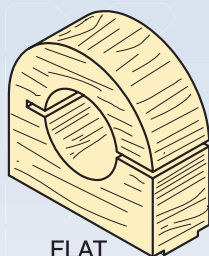
	OUT. DIA.
K2557-21	21mm
K2557-27	27mm
K2557-34	34mm
K2557-43	43mm
K2557-48	48mm
K2557-60	60mm
K2557-65	65mm

Wooden Blocks

Wooden blocks
Material - plywood
(also available in cork)
40mm standard thickness



ROUND

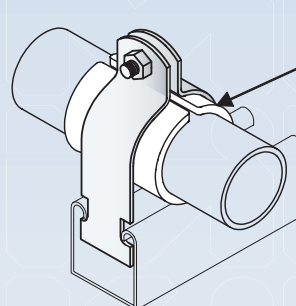


FLAT

ROUND
INT. & EXT DIAMETER

KWR1264	12 X 64	KWR51102	51 X 102
KWR1676	16 X 76	KWR64114	64 X 114
KWR1971	19 X 71	KWR76127	76 X 127
KWR1976	19 X 76	KWR89140	89 X 140
KWR2576	25 X 76	KWR102152	102 X 152
KWR3183	31 X 83	KWR114165	114 X 165
KWR3289	32 X 89	KWR127178	127 X 178
KWR3889	38 X 89	KWR152203	152 X 203

Insulation Barriers



K2600
P.V.C. Insulating barrier
supplied in 20m. rolls.

ALSO AVAILABLE

White 'SUPACUSHION'
in 5m rolls.

FLAT
INT. & EXT DIAMETER

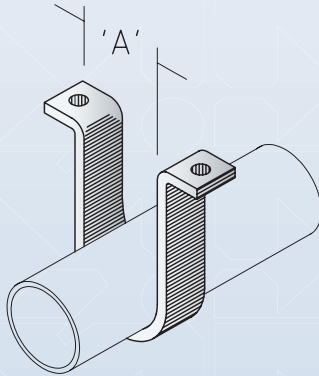
KWF1264	12 X 64	KWF64114	64 X 114
KWF1676	16 X 76	KWF76127	76 X 127
KWF1971	19 X 71	KWF89140	89 X 140
KWF2576	25 X 76	KWF102152	102 X 152
KWF3283	32 X 83	KWF114165	114 X 165
KWF3889	38 X 89	KWF127178	127 X 178
KWF51102	51 X 102	KWF152203	152 X 203

We also provide custom sizes made to order.

E. & O.E.

K-STRUT FITTINGS

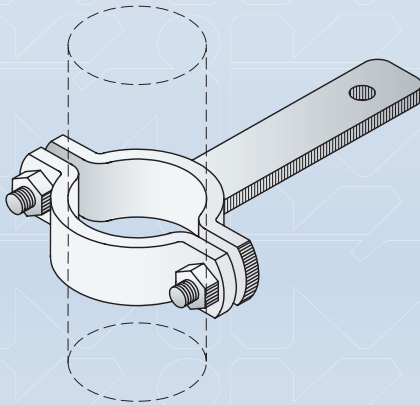
K-STRUT ELECTRICAL AND PIPE SUPPORT SYSTEMS



Deep Saddles

Pipe Outside Diameter 'A' mm

- K2556 - 34
- K2556 - 43
- K2556 - 48
- K2556 - 60

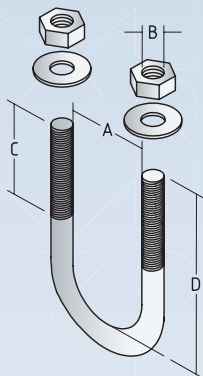


Stand Off Brackets

Pipe Outside Diameter in mm

- K700 - 21
- K700 - 27
- K700 - 34
- K700 - 43
- K700 - 48
- K700 - 60
- K700 - 76
- K700 - 89
- K700 - 114
- K700 - 140
- K700 - 165

NOTES: Material thickness 6mm
Hole dia. 14mm
Channel nuts & bolts order separately.

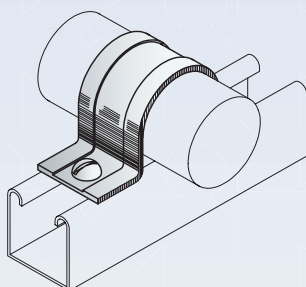


'U' Bolts

Complete with nuts & washers

CODE	A	B	C	D
K2559 - 34	34	10	50	85
K2559 - 43	43	10	50	93
K2559 - 48	48	10	50	100
K2559 - 60	60	10	50	110
K2559 - 76	76	12	50	127
K2559 - 89	89	12	50	140
K2559 - 102	102	12	50	152
K2559 - 114	114	12	50	165

A = Pipe Diameter
 B = Bolt Diameter
 C = Thread Length
 D = Internal Depth



Single Pipe Clamp

SERIES K2071
Pipe Outside Diameter

- K2071 - 19 19mm
- K2071 - 25 25mm
- K2071 - 32 32mm
- K2071 - 38 38mm
- K2071 - 44 44mm
- K2071 - 48 48mm

Screw & K3016 nut included

E. & O.E.

K-STRUT FITTINGS

Lighting Supports and Accessories

K2521-75 19mm Conduit Entry
 K2521-100 25mm Conduit Entry
 M6 x 16mm countersunk head set screws and K3016 M6 nuts ordered separately.

K922 Splice Joiner
 For series K1000 & K2000 channels.
 M6 x 16mm countersunk head set screws and K3016 M6 nuts ordered separately.

K2535 CONDUIT FITTING
 M6 x 16mm countersunk head set screws and K3016 M6 nuts ordered separately.

K2539 CHAIN SUSPENSION
 (supplied flat for folding around channel)

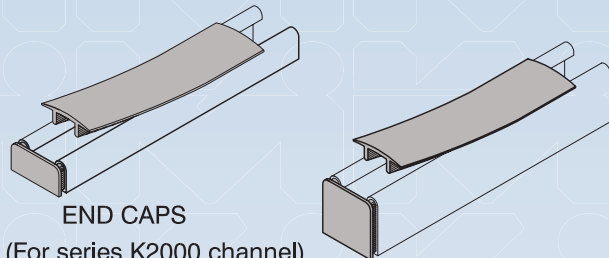
K2335 SUSPENSION FITTINGS
 for Channel Series
 K1000, K2000
 K3300, K4000

K2552 FIBRE CABLE SUPPORT
 For support of cables until channel insert (K1184PL) is in position.

General Accessories

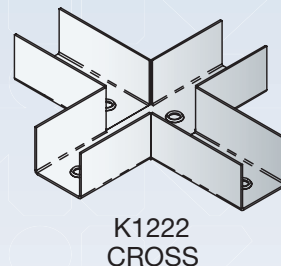
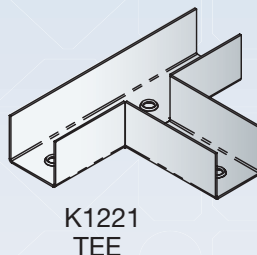
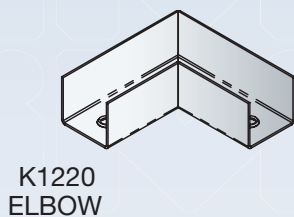
CHANNEL INSERTS
 K1184-PL (PVC)

Available in P.V.C. extrusions in 3 metre long stock lengths to fit all channel series. These inserts provide an effective seal for the channel. The stock colour for P.V.C. inserts is grey. Other colours can be manufactured to order.



END CAPS
 K2280 (For series K2000 channel)
 K2407 (For series K1000 channel)
 K3380 (For series K3300 & K4000 channel)

Joiner Boxes



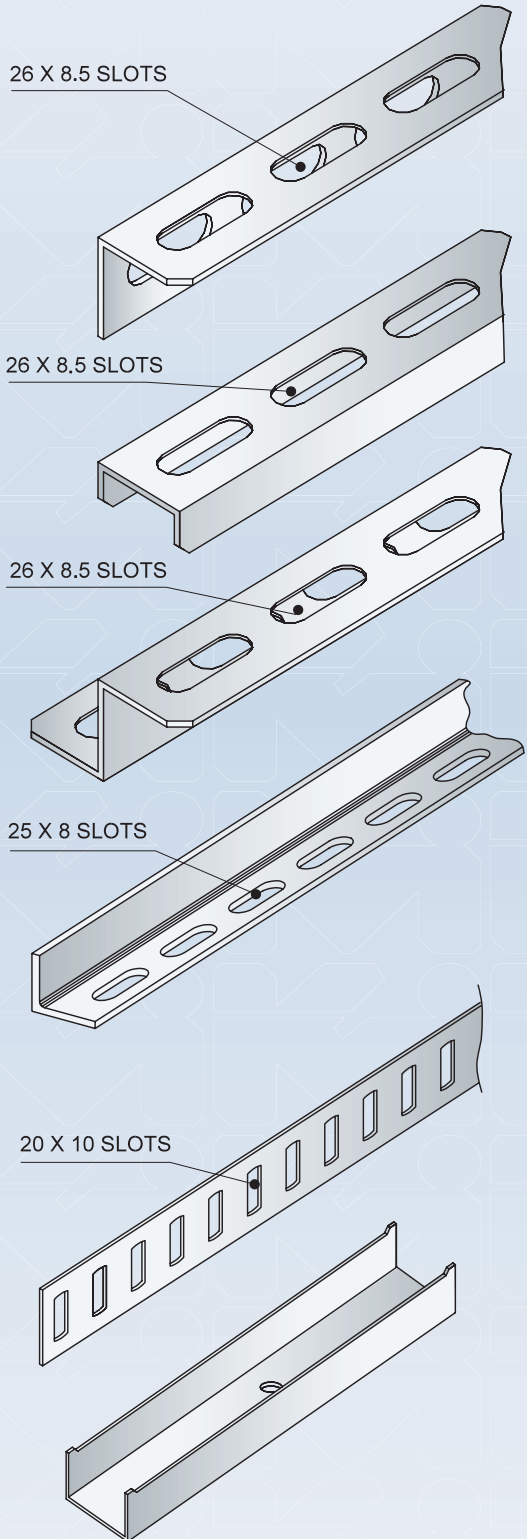
Fixes to strut by screws and self locating nut. K3016 nuts and M6x16 countersunk screws should be ordered separately.

Also available in Stainless Steel on request.

E. & O.E.

K-STRUT FITTINGS

Support Hangers



KSA25 25 X 25 X 1.6mm Slotted angle
Material: Plain Galvanised Iron
Other finishes available on request
Length = 2.4m

KSC25 25 X 12 X 1.6mm Slotted channel
Material: Plain Galvanised Iron
Other finishes available on request
Length = 2.4m

KSZ25 25 X 25 X 1.6mm Slotted Z bar
Material: Plain Galvanised Iron
Other finishes available on request
Length = 2.4m

KSA38 38 X 38 X 3.0mm Slotted angle
Standard Finish - Zinc Plated
Other finishes available on request
Length = 3.0m

KSA50 Also available - 50 x 50 x 3 angle x 3.0m long.

KSA40 40 X 40 X 5mm Slotted Angle
Hot Dip Galvanised
Length = 3.75m

KSF40 40 X 5mm Slotted Flat
Hot Dip Galvanised
Length = 3.0m

K1025 34 X 2.0mm Slotted Strip
10 x 20 slots @ 20mm centers
Standard Finish - Galvabond
Other finishes available on request
Length = 2.4m

Light Duty Tray Hangers

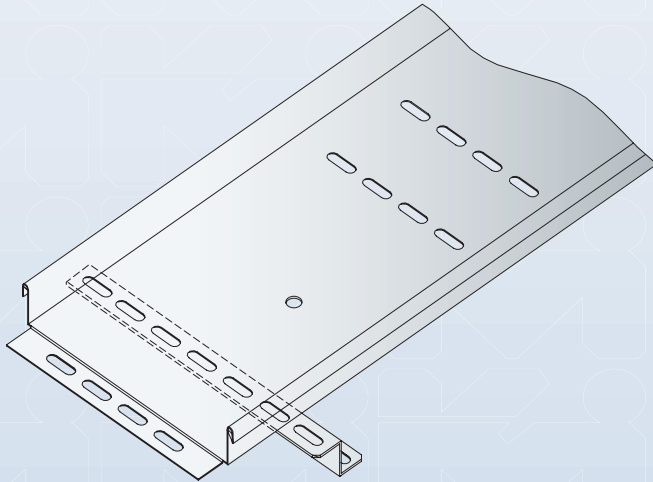
Material: 1.2mm Galvabond

- KTH75** - To suit 75 wide tray
- KTH100** - To suit 100 wide tray
- KTH150** - To suit 150 wide tray
- KTH230** - To suit 230 wide tray
- KTH300** - To suit 300 wide tray
- KTH450** - To suit 450 wide tray
- KTH600** - To suit 600 wide tray

Also available in Stainless Steel on request.

E. & O.E.

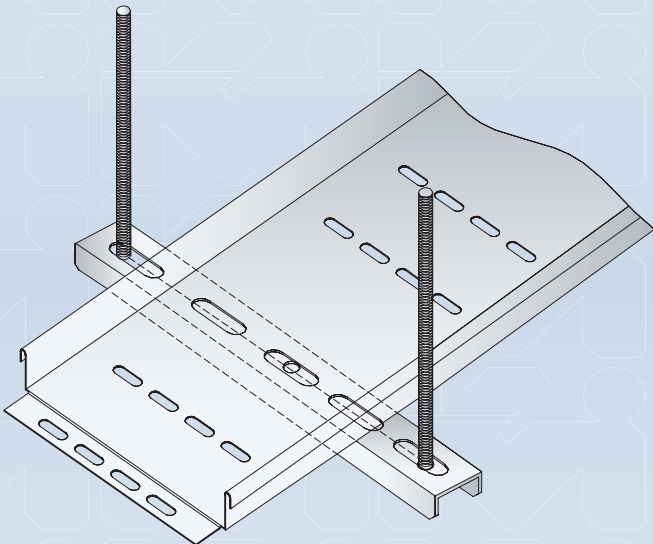
TYPICAL SUPPORT APPLICATIONS



Standard ' Z ' Bar Mounting

This type of mounting is suitable for creating a fixing that gives a stand off from a surface. The space provided behind the tray by the bracket is 25mm and this gives adequate space for cable ties.

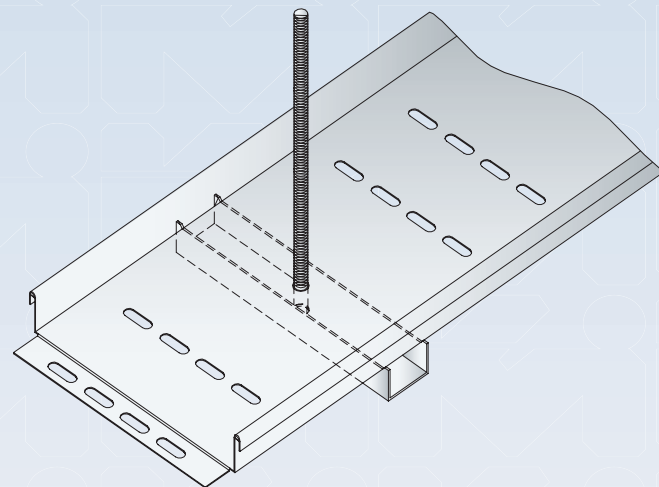
The bracket is supplied in a standard 2.4m length and can be site cut to suit the required tray width. The sizes of the prepunched holes suit the cable tray punchings.



Standard Channel Mounting

This type of mounting is suitable for making a trapeze type hanger bracket. The prepunched holes are suitable for threaded rod up to M8 diameter.

The bracket is supplied in a standard 2.4m length and can be site cut to the required tray width. The prepunched holes are sized to suit the cable tray punchings.



Standard Central Mounting

This type of mounting is suitable for making a central hanger bracket using only one drop rod for support. The bracket utilises the prepunched holes in the cable tray and forms a support channel under the tray. The channel has a flare out on each end so that the cable tray sits and positively locates on the bracket.

The benefits of this type of bracket are in the reduction of installation and material costs.

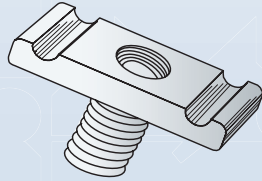
Kounis Metal Industries can also supply your fastenings, purlin clips and brackets if required.

Also available in Stainless Steel on request.

E. & O.E.

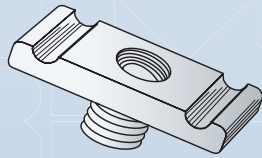
K-STRUT FITTINGS

Channel Nuts



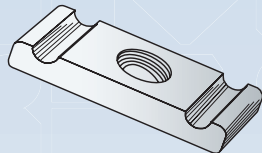
For K1000 Channel

Item	Metric
K1006	6mm
K1007	8mm
K1008	10mm
K1010	12mm
K1012	16mm



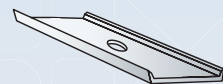
For K1000 and K3300 Channel

Item	Metric
K4006	6mm
K4007	8mm
K4008	10mm
K4010	12mm



For K1000 and K3300 Channel

Item	Metric
K3006	6mm
K3007	8mm
K3008	10mm
K3010	12mm
K3012	16mm



For K1000 and K3300 Channel

Item	Metric
K3016	6mm

NOTE: When ordering please quote Part number and size. e.g. K1010 = M12

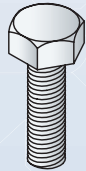
E. & O.E.

K-STRUT FITTINGS

K-STRUT ELECTRICAL AND PIPE SUPPORT SYSTEMS

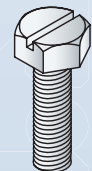
K-STRUT FITTINGS

Standard Screws



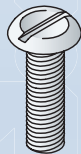
HHS0620	M6 x 20	HHS1040	M10 x 40
HHS0625	M6 x 25	HHS1224	M12 x 24
HHS0820	M8 x 20	HHS1230	M12 x 30
HHS0825	M8 x 25	HHS1240	M12 x 40
HHS0830	M8 x 30	HHS1260	M12 x 60
HHS1020	M10 x 20	HHS1640	M16 x 40
HHS1025	M10 x 25		
HHS1030	M10 x 30		

Hex Head Set Screws



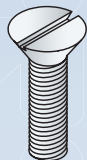
SHS0620	M6 x 20
SHS0825	M8 x 25
SHS0830	M8 x 30

Slotted Hex Head Set Screws



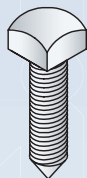
PHS0620	M6 x 20
PHS0625	M6 x 25
PHS0825	M8 x 25

Pan Head Screws



CK0616	M6 x 16
CK0820	M8 x 20
CK1020	M10 x 20

Countersunk Head Screws



CPS1040	M10 x 40
CPS1240	M12 x 40
CPS1250	M12 x 50

Cone Point Set Screws

Standard Nuts & Washers



HN06	M6
HN08	M8
HN10	M10
HN12	M12

Hexagon Nuts



FW06	M6
FW08	M8
FW10	M10
FW12	M12

Flat Washers



K367906	M6
K367908	M8
K367910	M10
K367912	M12

K3679 M10 & M12
To be used with
K3676

Swivel Nut



SW06	M6
SW08	M8
SW10	M10
SW12	M12

Spring Washers



LW06	M6
LW08	M8
LW10	M10
LW12	M12

Shakeproof Lock Washers



KNMH6538
NYLON ANCHOR MUSH HEAD
6.5mm X 38mm

DIM6	ANCHOR/DROP-IN M6X25mm
DIM8	ANCHOR/DROP-IN M8X30mm
DIM10	ANCHOR/DROP-IN M10X40mm
DIM12	ANCHOR/DROP-IN M12X50mm



DB0840	DYNA BOLT HEX HEAD 8mm X 40mm
DB1040	DYNA BOLT HEX HEAD 10mm X 40mm
DB1050	DYNA BOLT HEX HEAD 10mm X 50mm
DB1075	DYNA BOLT HEX HEAD 10mm X 75mm
DB1260	DYNA BOLT HEX HEAD 12mm X 60mm
DB12100	DYNA BOLT HEX HEAD 12mm X 100mm

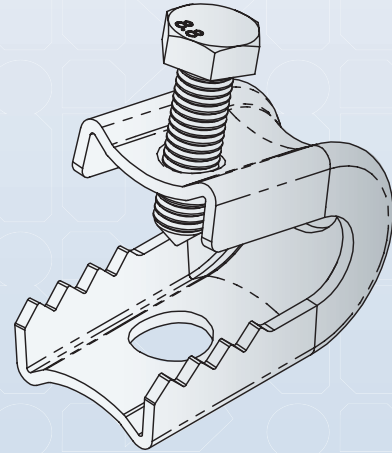
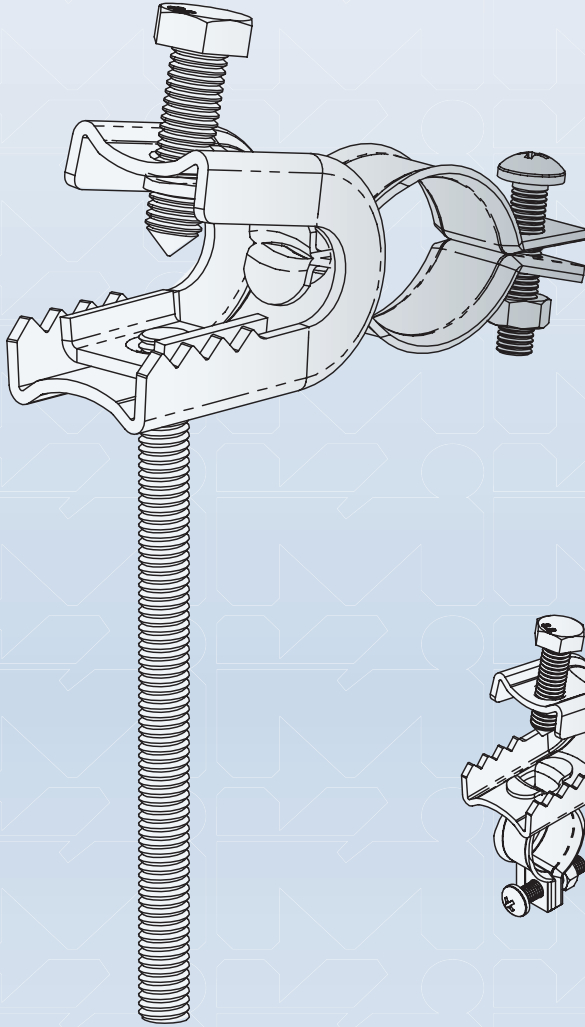
E. & O.E.



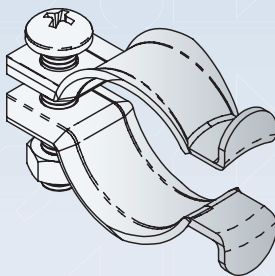
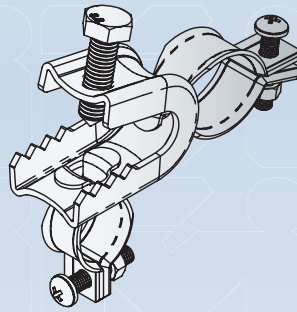
KOUNIS BEAM CLAMPS

K-STRUT ELECTRICAL AND PIPE SUPPORT SYSTEMS

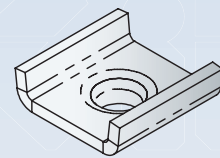
KOUNIS BEAM CLAMPS



KCC-17
KCC-36



KAC-19
KAC-25
KAC-31



KRC-06
KRC-08
KRC-10

E. & O.E.