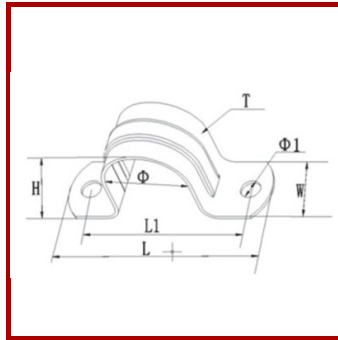


## TECHNICAL SHEET METAL FULL SADDLES



### Benefits :

Reinforced rib for extra strength.

### Application(s) :

Used to secure and mount electrical cables and conduits to a variety of work surfaces.  
For indoor and outdoor application.

### Technical details :

Material: electro-galvanized steel Q235.  
Coating: blue-white zinc,  $\geq 5 \mu\text{m}$ .

Reference	AU-reference	Ø (mm)	Ø1 (mm)	H (mm)	L (mm)	L1 (mm)	W (mm)	Thickness (mm)	Quantity per box	Selling unit
<b>BIZ 390 059</b>	<b>BIZMFS12</b>	12	5	13.3	40	29.8	13.2	0.7	100	Each
<b>BIZ 390 060</b>	<b>BIZMFS16</b>	16	5	17	45.5	33.5	13.2	0.7	100	Each
<b>BIZ 390 061</b>	<b>BIZMFS20</b>	20	5	22.3	52.3	40.2	16.2	0.95	100	Each
<b>BIZ 390 062</b>	<b>BIZMFS25</b>	25	5.5	28.8	60.2	46.5	19.2	0.95	100	Each
<b>BIZ 390 063</b>	<b>BIZMFS32</b>	32	5.5	35.6	80.5	63.5	25.8	1.2	50	Each
<b>BIZ 390 064</b>	<b>BIZMFS40</b>	40	5.5	42	90.5	74.5	25.8	1.2	50	Each
<b>BIZ 390 065</b>	<b>BIZMFS50</b>	50	5.5	52.8	111.3	95.3	25.8	1.2	20	Each