



Actuator fully adjustable, for EX AZ 16 series

- Ex zone 1, 2, 21 and 22
- Thermoplastic enclosure
- Multiple coding
- Slow action, change-over contact or 2 NC/1 NO contact with double break
- With wiring compartment or pre-wired cable

Representative Photo Only  
(actual product may vary based on configuration selections)

**SPECIFICATIONS**

Product Series	Ex AZ 16
Component Type HAE	Actuator
Actuator Type	Fully flexible tongue
Axial misalignment, max	11 mm
Details, actuator	Actuating radius on hinged guards a = 25 mm and b = 38 mm
IP Rating	IP65
Standards Compliance	EN 60947-5-1 EN 1088 EN 60079-0 EN 60079-1 EN 60079-31 EN 60529 IEC 60529

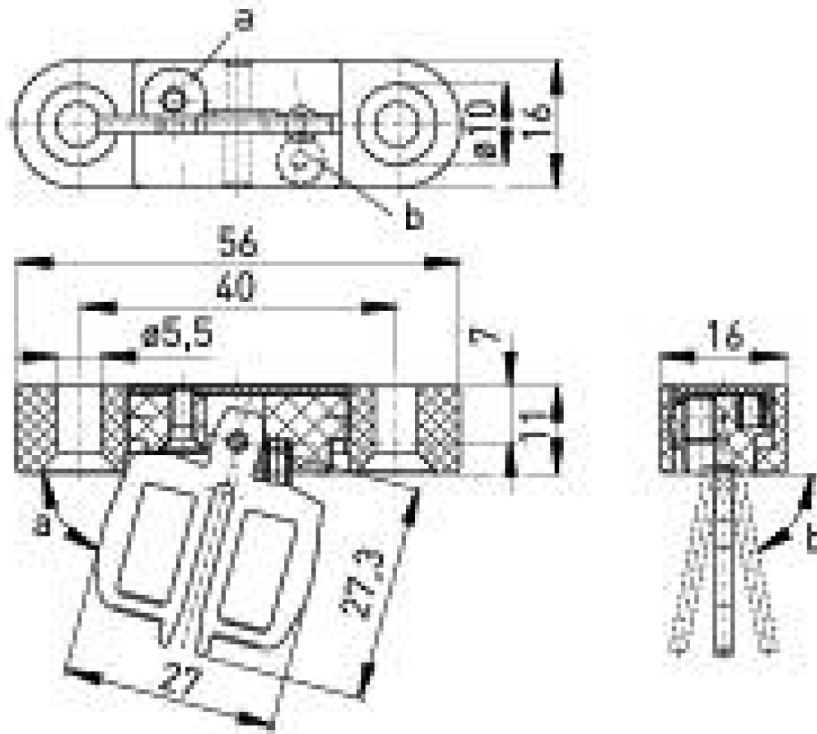
**REFERENCES**

IECEX Certificate	-
Supplier Declaration of Conformity:	-
Installation Guide:	-
User Manual:	-
Manufacturer Datasheet:	-
Manufacturer Catalogue & Product Selection:	-

Catalogue No: **AZ 15/16 B6**

**ACTUATOR FULLY ADJUSTABLE**

Hazardous Area Equipment > Hazardous Area Field Switching and Sensors > Hazardous Area Field Switches and Sensors > Steute Limit Switches and Sensors > Ex Safety Switches > Ex AZ 16 Series



Dimension Diagram