

## VLB Visible contact load-break switches

### SIRCO VM 32 to 250 A

**New Range**

The SIRCO VM and Sider ranges of visible contact load-break switches feature fully visible breaking in a compact and efficient design. The range extends from a compact 32 A version to a very capable 1600 A model. Side operated versions and an extensive range of accessories are available, providing the complete visual switching solution. The best visible contact range on the market.



VLB

### Front operated surface mount (Supplied with external handle and shaft)

Size	AC 22 400 V (A)	AC 23 400 V (A)	AC 23 400 V (kW)	No. of poles	Cat. No.
<b>32 A</b>	32	32	15	3	<b>VLB 32 3P</b>
				3 + N (switched)	<b>i VLB 32 3PN</b>
<b>40 A</b>	40	40	18.5	3	<b>VLB 40 3P</b>
				3 + N (switched)	<b>i VLB 40 3PN</b>
<b>63 A</b>	63	63	30	3	<b>VLB 63 3P</b>
				4	<b>i VLB 63 4P</b>
<b>80 A</b>	80	80	30	3	<b>VLB 80 3P</b>
				4	<b>i VLB 80 4P</b>
<b>100 A</b>	100	100	30	3	<b>VLB 100 3P</b>
				4	<b>i VLB 100 4P</b>
<b>125 A</b>	125	125	63	3	<b>VLB 125 3P</b>
				4	<b>i VLB 125 4P</b>
<b>160 A</b>	160	160	80	3	<b>VLB 160 3P</b>
				4	<b>i VLB 160 4P</b>
<b>200 A</b>	200	200	100	3	<b>VLB 200 3P</b>
				4	<b>i VLB 200 4P</b>
<b>250 A</b>	250	200	100	3	<b>VLB 250 3P</b>
				4	<b>i VLB 250 4P</b>

**Notes:** 6 and 8 pole switches available on indent only. Refer NHP.  
Side operation available. Refer NHP.  
**i** Available on indent only.



VLB

# VLB Visible contact load-break switches

## SIDER 250 to 1600 A

**New Range**

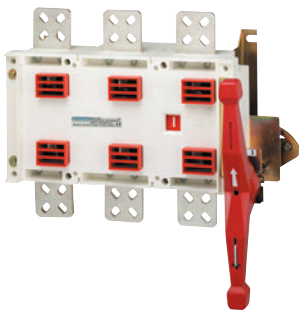


**Front operated surface mount**  
(Supplied with external handle and shaft)

VLB

	AC 21 400 V (A)	AC 23 400 V (A)	AC 23 400 V (kW)	No. of poles	Cat. No. <sup>1)</sup>
<b>250 A</b>	250	250	140	3	VLB 250 3P1
				4	<input type="checkbox"/> VLB 250 4P1
<b>315 A</b>	315	315	160	3	VLB 315 3P
				4	<input type="checkbox"/> VLB 315 4P
<b>400 A</b>	400	400	220	3	VLB 400 3P
				4	<input type="checkbox"/> VLB 400 4P
<b>500 A</b>	500	500	295	3	VLB 500 3P
				4	<input type="checkbox"/> VLB 500 4P
<b>630 A</b>	630	630	355	3	VLB 630 3P
				4	<input type="checkbox"/> VLB 630 4P
<b>800 A</b>	800	630	355	3	VLB 800 3P
				4	<input type="checkbox"/> VLB 800 4P
<b>1250 A</b>	1250	1000	560	3	VLB 1250 3P
				4	<input type="checkbox"/> VLB 1250 4P
<b>1600 A</b>	1600	1000	560	3	VLB 1600 3P
				4	<input type="checkbox"/> VLB 1600 4P

**Notes:** <sup>1)</sup> Add "S" to end of Cat. No. for side operated version. Eg. VLB 250 3PS.  
 250 - 500 A has standard option of side operation  
 6 and 8 pole switches available on indent only. Refer NHP.  
 Available on indent.



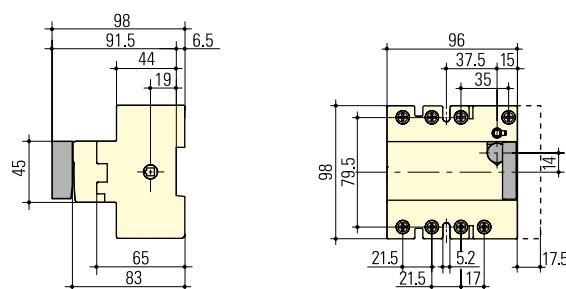
VLB

## Technical data and dimensions (mm)

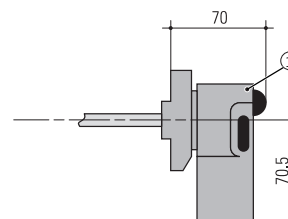
### SIRCO VM VLB 32 to 200 A

#### SIRCO VM0 32 to 40 A

##### Direct front operation

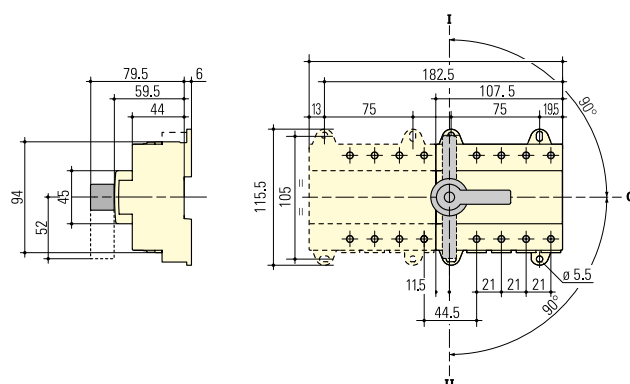


##### External front operation

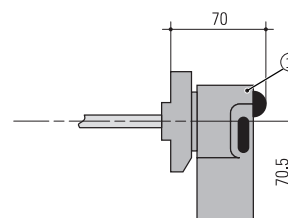


#### SIRCO VM0 63 to 100 A

##### Direct front operation

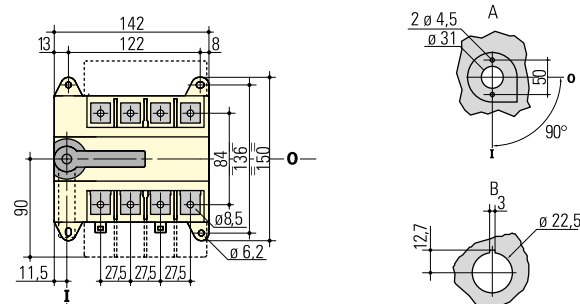


##### External front operation

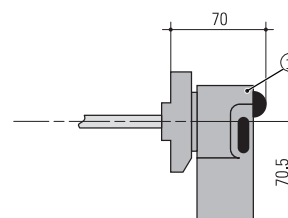


#### SIRCO VM0 125 to 250 A

##### Direct front operation



##### External front operation



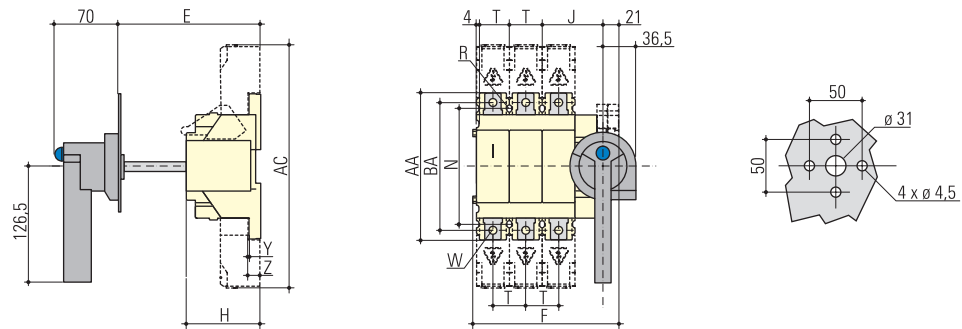
1. Pistol handle

# Technical data and dimensions (mm)

## SIDER VLB 250 to 500 A

### SIDER 250-1 to 500 A

#### External front operation



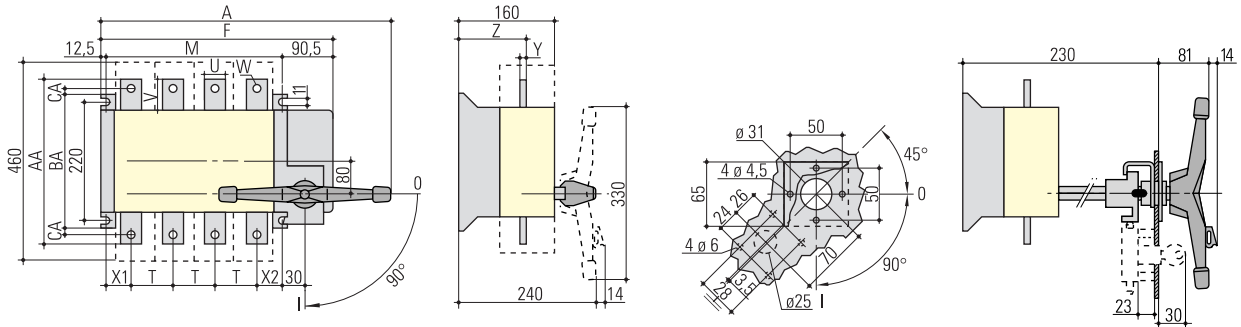
Rating (A)	Overall dimensions E	Terminal cover			Switch body			Mounting				Connection		AA	BA
		AC	F 3p	F 4p	H	J 3p	J 4p	N	R	T	W	Y	Z		
250	87/225	350	234	294	80	91	115	162	6	60	10	3	20	195	165
315	87/225	350	234	294	80	91	115	162	6	60	10	3	20	195	165
400	87/225	360	278	344	80	121	121	172	6	66	10	3	20	214	175
500	87/225	360	278	344	80	121	121	172	6	66	10	3	20	214	175

# Technical data and dimensions (mm)

## SIDER VLB 630 to 1600 A

### SIDER 630 to 1600 A Direct front operation

### External front operation



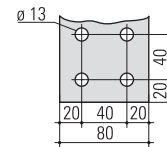
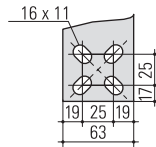
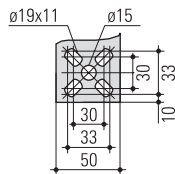
Rating (A)	Overall dimensions				Switch body		Mountings				Connection				AA	BA	CA
	A	A	F	F	M	M	T	U	V	W	X1	X2	Y	Z			
	3p	4p	3p	4p	3p	4p											
630	463	543	358	438	255	335	80	40	50	13	42.5	52.5	6	106	300	260	20
800	463	543	358	438	255	335	80	50	60	-	47.5	47.5	6	106	320	-	-
1250	555	675	450	560	347	457	120	63	65	-	46.5	60.5	7	107	330	-	-
1600	555	675	450	560	347	457	120	80	80	-	46.5	60.5	15	111	360	-	-

### Terminal Hole Patterns

#### SIDER 800 A

#### SIDER 1250 A

#### SIDER 1600 A



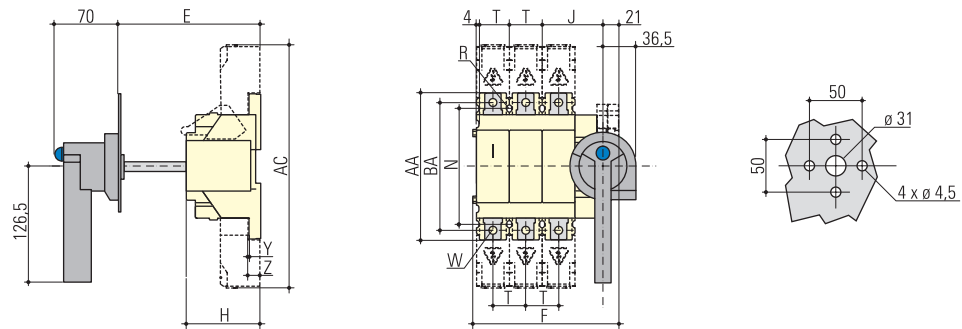


# Technical data and dimensions (mm)

## SIDER VLB 250 to 500 A

### SIDER 250-1 to 500 A

#### External front operation



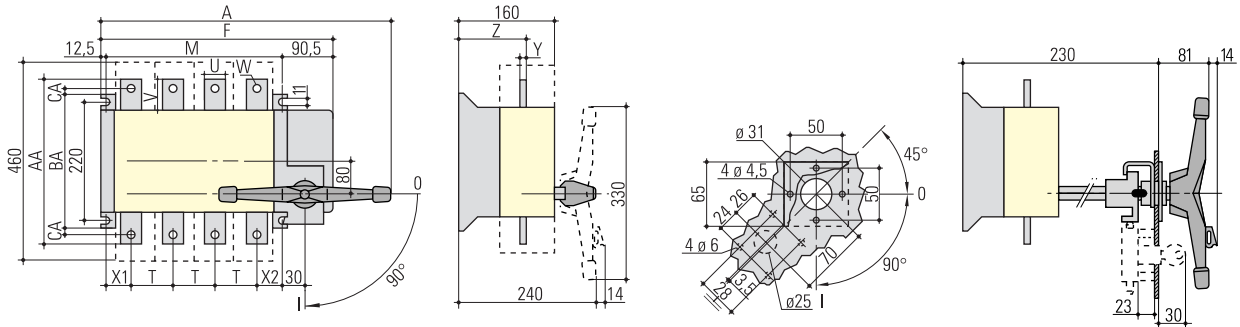
Rating (A)	Overall dimensions E	Terminal cover			Switch body			Mounting				Connection		AA	BA
		AC	F 3p	F 4p	H	J 3p	J 4p	N	R	T	W	Y	Z		
250	87/225	350	234	294	80	91	115	162	6	60	10	3	20	195	165
315	87/225	350	234	294	80	91	115	162	6	60	10	3	20	195	165
400	87/225	360	278	344	80	121	121	172	6	66	10	3	20	214	175
500	87/225	360	278	344	80	121	121	172	6	66	10	3	20	214	175

# Technical data and dimensions (mm)

## SIDER VLB 630 to 1600 A

### SIDER 630 to 1600 A Direct front operation

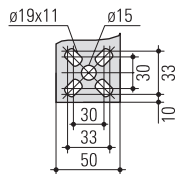
### External front operation



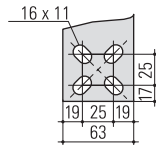
Rating (A)	Overall dimensions				Switch body		Mountings				Connection				AA	BA	CA
	A	A	F	F	M	M	T	U	V	W	X1	X2	Y	Z			
	3p	4p	3p	4p	3p	4p											
630	463	543	358	438	255	335	80	40	50	13	42.5	52.5	6	106	300	260	20
800	463	543	358	438	255	335	80	50	60	-	47.5	47.5	6	106	320	-	-
1250	555	675	450	560	347	457	120	63	65	-	46.5	60.5	7	107	330	-	-
1600	555	675	450	560	347	457	120	80	80	-	46.5	60.5	15	111	360	-	-

### Terminal Hole Patterns

#### SIDER 800 A



#### SIDER 1250 A



#### SIDER 1600 A

