

## SSF Standard switch-fuses

### FUSERBLOC BS88 20 to 800 A

**New Range**

SSF Standard switch-fuses boast IP 30 protection on all fuse terminals in a compact yet effective design. These switch-fuses feature a test position and double-break contacts per phase, allowing the safe isolation of AC and DC circuits as well as the added short circuit protection offered by HRC fuses.



SSF BS

### Front operated base mount (Supplied with external handle and shaft)

	Fuse size	AC 22 415 V (A)	AC 23 415 V (A)	AC 23 415 V (kW)	No. of poles	Cat. No.
<b>20 A</b>	A1	20	20	9	3	SSF BS20 3P
					3+N (switched)	<input type="checkbox"/> SSF BS20 3PN
<b>32 A</b> Compact	A1	32	32	15	3	SSF BS32C 3P
					3+N (switched)	<input type="checkbox"/> SSF BS32C 3PN
<b>32 A</b>	A1	32	32	15	3	SSF BS32 3P
					4	<input type="checkbox"/> SSF BS32 4P
<b>63 A</b>	A2 - A3	63	63	30	3	SSF BS63 3P
					4	<input type="checkbox"/> SSF BS63 4P
<b>100 A</b>	A4	100	100	51	3	SSF BS100 3P
					4	<input type="checkbox"/> SSF BS100 4P
<b>160 A</b>	A3 - A4	160	160	80	3	SSF BS160 3P
					4	<input type="checkbox"/> SSF BS160 4P
<b>200 A</b>	B1 - B2	200	200	100	3	SSF BS200 3P
					4	<input type="checkbox"/> SSF BS200 4P
<b>250 A</b>	B1 - B2 - B3	250	250	132	3	SSF BS250 3P
					4	<input type="checkbox"/> SSF BS250 4P
<b>315 A</b>	B1 - B2 - B3	315	315	160	3	SSF BS315 3P
					4	<input type="checkbox"/> SSF BS315 4P
<b>400 A</b>	B1 - B2 - B3 - B4	400	400	220	3	SSF BS 400 3P
					4	<input type="checkbox"/> SSF BS400 4P
<b>630 A</b>	C1 - C2	630	630	355	3	SSF BS630 3P
					4	<input type="checkbox"/> SSF BS630 4P
<b>800 A</b>	C1 - C2 - C3	800	800	450	3	SSF BS800 3P
					4	<input type="checkbox"/> SSF BS800 4P
<b>1250 A</b>	D1	1250	1000	560	3	SSF BS1250 3P
					4	<input type="checkbox"/> SSF BS1250 4P

Notes:  Available on indent only.  
 For plug-in solutions. Refer NHP.  
 For enclosed options. Refer NHP.

## SSF Standard switch-fuses FUSERBLOC DIN 63 to 800 A

**New Range**



SSF DN

- 63 A**
- 125 A**
- 160 A**
- 250 A**
- 400 A**
- 630 A**
- 800 A**

### Front operated base mount (Supplied with external handle and shaft - refer table below)

Fuse size	AC 22 415 V (A)	AC 23 415 V (A)	AC 23 415 V (kW)	No. of poles	Cat. No.
00	63	63	30	3	SSF DN63 3P
				4	<input type="checkbox"/> SSF DN63 4P
00	125	125	63	3	SSF DN100 3P
				4	<input type="checkbox"/> SSF DN100 4P
00	160	160	80	3	SSF DN160 3P
				4	<input type="checkbox"/> SSF DN160 4P
1	250	250	132	3	SSF DN250 3P
				4	<input type="checkbox"/> SSF DN250 4P
2	400	400	220	3	SSF DN400 3P
				4	<input type="checkbox"/> SSF DN400 4P
3	630	630	355	3	SSF DN630 3P
				4	<input type="checkbox"/> SSF DN630 4P
3	800	800	450	3	SSF DN800 3P
				4	<input type="checkbox"/> SSF DN800 4P

Notes:  Available on indent only.  
 For plug-in solutions. Refer NHP.  
 For enclosed options. Refer NHP.

### Shaft table (Standard shaft supplied with switch and handle)



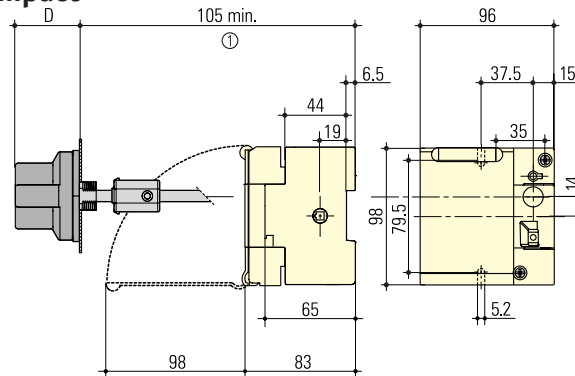
SSF DN

To suit	Shaft	Max back-plate to door
<b>BS88</b>		
SSF BS 20...32C	SSF S200C	248 mm
SSF BS 32...63	SSF S120	150 mm
SSF BS 100...400	SSF S200-1	230 mm
<b>DIN</b>		
SSF DN63	SSF 120	150 mm
SSF DN 125...400	SSF S200-1	230 mm
<b>BS88 and DIN</b>		
SSF 630...800	SSF S320-1	495 mm

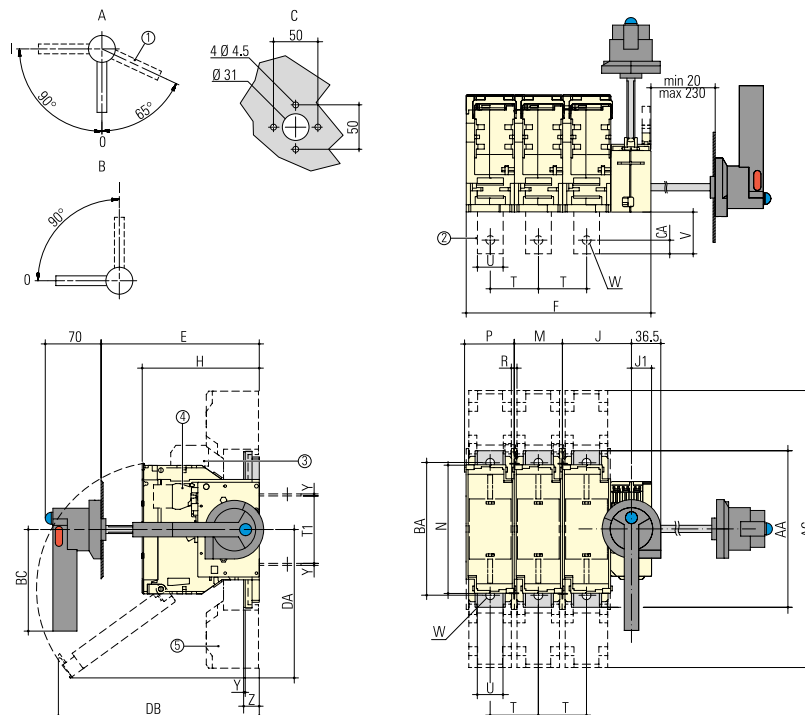
# Technical data and dimensions (mm)

## FUSERBLOC SSF BS 20 to 400 A

### FUSERBLOC 20 to 32 A Compact



### FUSERBLOC 32 to 400 A



Rating (A)	Fuse size	Frame size	Overall dimensions		Terminal shrouds			Switch body				Switch mounting							Connection terminals								
			E min	E max	AC	F 3p	F 4p	H	J	J1	BC	DA	DB	M	N	P	R	T	T1	U	V	W	Y	Z	AA	BA	CA
CD 20/32	A1	11	100 <sup>1)</sup>	145 <sup>1)</sup>	-	121	148	84.5 <sup>1)</sup>	45	18	70.5	-	-	27	106	31	6	27	59	-	15	-	2	-	118	-	6
CD 63	A2-A3	12	124 <sup>1)</sup>	145 <sup>1)</sup>	-	136	168	92.5 <sup>1)</sup>	50	18	70.5	-	-	32	106	36	5.4	32	59	12	15	-	2	-	118	-	6
CD 100	A4	13	124	145	268	148	184	116 <sup>2)</sup>	54	18	126.5	141	179	36	127	40	5.4	36	62	20	41	8.5	2.5	19.5	162	141	8
CD 160 compact	A3-A4	13a	145	225	268	148	184	139	54	18	126.5	-	-	36	130	40	5.4	36	78	18	39	8.5	3	20	162	141	10
CD 200	B1-B2	15	130	225	345	234	294	146	86	25	126.5	185	251	60	162	64	6.4	60	84	32	52	11	2.5	19.5	195	166	17
CD 250	B1-B2-B3	15	154	225	345	234	294	146	86	25	126.5	185	251	60	162	64	6.4	60	84	32	52	11	2.5	19.5	195	166	17
CD 315	B1-B2-B3	16	154	225	355	252	318	149	91	25	126.5	200	260	66	172	70	6.4	66	84	50	54	11	3	20	205	175	14.5
CD 400	B1-B2-B3B4	16	157	225	355	252	318	149	91	25	126.5	200	260	66	172	70	6.4	66	84	50	54	11	3	20	205	175	14.5

- A. Front operation
- B. Side operation
- C. Door drilling

- 1. Test position
- 2. Rear connections (Option)
- 3. 1 or 2 fuse blown indication

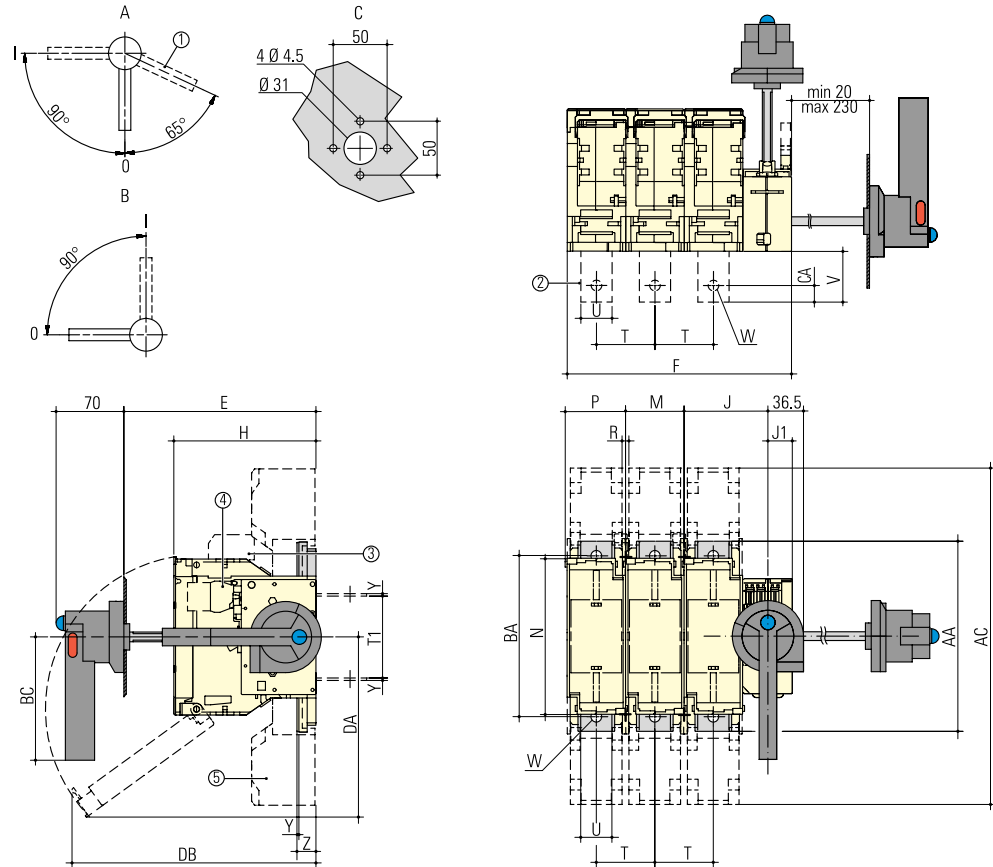
- 4. 1 to 8 N/O / N/C Aux for pre-break and signalling
- 5. Terminal shrouds

**Notes:** <sup>1)</sup> 1 AC: +23.5/2 AC: +47.  
<sup>2)</sup> 132 with 2 AC.

# Technical data and dimensions (mm)

## FUSERBLOC SSF DIN 63 to 400 A

### FUSERBLOC 63 to 400 A



Rating (A)	Fuse size	Frame size	Overall dimensions		Terminal shrouds		Switch body					Switch mounting					Connection terminals										
			E min	E max	AC	F	F	H	J	J1	BC	DA	DB	M	N	P	R	T	T1	U	V	W	Y	Z	AA	BA	CA
CD 63	00C	12	124	145	-	136	168	116.5	50	18	70.5	159	145	32	106	36	5.4	32	59	12	15	-	2	-	118	-	6
CD 125	00	13	134	145	268	148	184	126.5	54	18	126.5	141	189	36	127	40	5.4	36	62	20	41	8.5	2.5	19.5	162	141	8
CD 160	0	14	145	225	268	190	240	136.5	64	18	126.5	174	229	50	140	54	5.4	50	62	20	41	8.5	2.5	19.5	162	141	8
CD 250	1	15	154	225	345	234	294	146	86	25	126.5	185	251	60	162	64	6.4	60	84	32	52	11	2.5	19.5	195	166	17
CD 400	2	16	157	225	355	252	318	149	91	25	126.5	200	260	66	172	70	6.4	66	84	50	54	11	3	20	205	175	1x4.5

A. Front operation  
 B. Side operation  
 C. Door drilling

1. Test position  
 2. Rear connections (Option)  
 3. 1 or 2 fuse blown indication

4. 1 to 8 N/O / N/C Aux for pre-break and signalling  
 5. Terminal shrouds



## Technical data and ratings chart

### FUSERBLOC SSF 20 to 1250 A

### Ratings to AS 3947-3 and IEC 60947-3

		20 A	32C A	32 A	63 A	100 A	125 A	160 A (BS)	160 A DIN)
Rated insulation voltage	V	800	800	750	750	750	750	750	750
Rated impulse withstand voltage	kV	8	8	8	8	8	8	8	8
Rated operational current									
AC 21A	400 V A	-	-	-	-	-	-	-	-
	690 V A	-	-	-	-	-	-	-	-
AC 22A	400 V A	20	32	32	63	100	125	160	160
	690 V A	20	32	32	63	100 <sup>1)</sup>	125 <sup>1)</sup>	160 <sup>1)</sup>	160 <sup>1)</sup>
AC 23A	400 V A	20	32	32	63	100	125	160	160
	690 V A	20	32	32	63	100 <sup>1)</sup>	100 <sup>1)</sup>	125 <sup>1)</sup>	125 <sup>1)</sup>
Rated operational current/poles in series									
DC 21A	220 V A	-	-	-	-	-	-	-	-
	440 V A	-	-	-	-	-	-	-	-
DC 22A	220 V A	-	-	32	63	100	125	160	160
	440 V A	-	-	32/2	63/2	100/2	125/2	160/2	160/2
DC 23A	220 V A	-	-	32	40	100	100	125	125
	440 V A	-	-	32/2	40/2	100/2	100/2	160/2	125/2
Operational power									
At 400 V without pre-break AC	kW	9	15	15	30	51	63	80	80
At 690 V without pre-break AC	kW	15	25	25	55	90	90	110	110
Short-circuit capacity									
Switch fuse cut-off current (kA peak)	400 V kA	5.5	5.5	9	10.6	20	20	20	22.7
Fuse protected short circuit withstand AC BS88/DIN (kA RMS prospective)	400 V kA	80	80	80	80	80	-	50	80
Fuse types, IEC 269-2	Fuse A	20	32	32	63	100	-	160	160
	DIN 43620	-	-	-	00C	-	00	-	0
	BS 88	A1	A1	A1	A2-A3	A4	-	A3-A4	-
Rated capacitor power	kVAr	8	15	15	28	45	55	70	75
Mechanical endurance	Ops	20000	20000	10000	10000	10000	10000	10000	10000
Weight (3 pole)	Kg	0.48	0.5	0.8	1	1.5	1.5	1.8	1.8
Connection cable size	mm <sup>2</sup>	2.5/16	2.5/16	6/25	10/25	25/95	35/95	35/95	50/95

**Notes:** <sup>1)</sup> With terminal shrouds/screen.  
**240/415 V ratings suitable for use on 230/400 V in accordance with AS 60038 : 2000.**

## Technical data and ratings chart

### FUSERBLOC SSF 20 to 1250 A

#### Ratings to AS 3947-3 and IEC 60947-3

			200 A	250 A	315 A	400 A	630 A	800 A	1250 A
Rated insulation voltage	V		750	750	800	8000	1000	1000	1000
Rated impulse withstand voltage	kV		8	8	8	8	12	12	12
Rated operational current									
AC 21A	400 V	A	-	-	-	-	-	-	-
	690 V	A	-	-	-	-	-	-	-
AC 22A	400 V	A	200	250	315	400	630	800	1250
	690 V	A	200	315 <sup>1)</sup>	315 <sup>1)</sup>	315	500	800	800/2
AC 23A	400 V	A	200	250	315	400	630	800	1000
	690 V	A	200 <sup>1)</sup>	250 <sup>1)</sup>	250 <sup>1)</sup>	250	315	630	630
Rated operational current/poles in series									
DC 21A	220 V	A	-	-	-	-	-	-	-
	440 V	A	-	-	-	-	-	-	-
DC 22A	220 V	A	200	250	250	315	315	800	800
	440 V	A	250/2	250/2	325/2	315	315	800/2	800/2
DC 23A	220 V	A	200/2	200	200	200	400	800	800
	440 V	A	200/2	200/2	200/2	250	400	800/2	800/2
Operational power									
At 400 V without pre-break AC	kW		100	132	160	220	355	450	560
At 690 V without pre-break AC	kW		150	220	222	220	295	400	500
Short-circuit capacity									
Switch fuse cut-off current (kA peak)	400 V	kA	32.5	32.5	40	40	70	80	80
Fuse protected short circuit withstand AC BS88/DIN (kA RMS prospective)	400 V	kA	80	80	80	80	80	80	80
Fuse types, IEC 269-2	DIN 43620		-	1	-	2	3	3	4
	BS 88		B1-B2	B1-B2-B3	B1-B2-B3	B1-B2-B3-B4	C1-C2	C1-C2-C4	D1
Rated capacitor power	kVAr		90	115	145	185	290	365	575
Mechanical endurance	Ops		10000	10000	10000	10000	8000	8000	5000
Weight (3 pole)	Kg		3.2	3.2	4.8	4.8	16	1.8	28.0
Connection cable size	mm <sup>2</sup>		95/240	95/240	185/240	185/240	2 x 150/2 x 300	2 x 185/2 x 300	4 x 185

**Notes:** <sup>1)</sup> With terminal shrouds/screen.  
**240/415 V ratings suitable for use on 230/400 V in accordance with AS 60038 : 2000.**