

Catalogue No: **MOLED125-04B**
BEACON 48 LED ST OR FL 230V AC BLUE

Signalling Devices > Sight Indication > Beacons > Moflash Beacons > LED Beacons > MOLEDD125 Series - LED Beacons



Representative Photo Only
 (actual product may vary based on configuration selections)

LED Beacon 230V AC - Blue Lens - with 3 Mode Flash Rate. Static, 60 Flashes Per Minute or 120 Flashes Per Minute, Includes 1 Metre Flying Leads

- Complete visual signalling range from high efficiency static or flashing LED's to high discharge Xenon beacons to rotating parabolic reflector beacons, we have the solution suitable for your application.
- Available in a variety of frame sizes and with accessories such as protective cages and brackets to cater to your mounting requirements.
- Multiple colour varieties available including Red, Green, Amber and Blue to convey whichever message is required.

SPECIFICATIONS

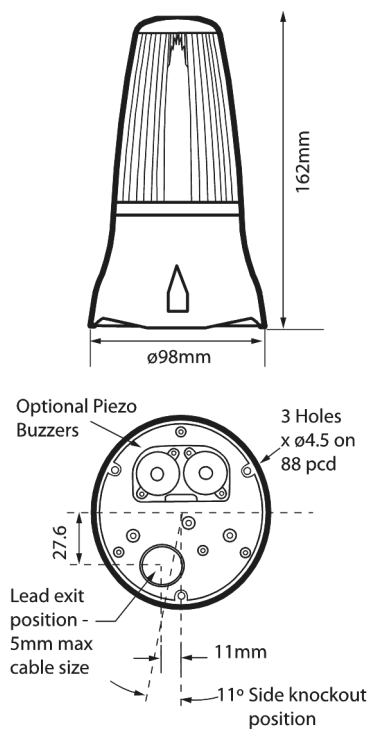
Product Series	LEDD125
Indication Mode(s)	Sight
Lamp Type	LED type
Number of LEDs	48
Colour, Lamp	Blue colour
Illumination Mode	Steady / Flashing
Speed, Flash	120 per min
Details, Speed	Flash speed configurable at either 60 or 120 flashes per min
Un, Nominal Operational Voltage, AC	230 V AC
Input Frequency, Nom	50 / 60 Hz
Ie, Rated Operational Current, nom	0.04 A,nom
Ie, Rated Operational Current, nom	0.04 A,nom
Material, Base	ABS
Connection / Termination	Fixed (non-removable) Terminal Block
Number of Terminals	2 qty
Mounting, Terminal Block	Internal Mount
IP Rating	IP65
Mounting (Multiple)	Surface Mount Wall Mount
Width	98 mm
Depth	162 mm
Weight	0.57 kg
Operating Temperature, Min	-20 °C min
Operating Temperature, Max	45 °C max
Certifications	CE RoHS

Catalogue No: **MOLED125-04B**
BEACON 48 LED ST OR FL 230V AC BLUE

Signalling Devices > Sight Indication > Beacons > Moflash Beacons > LED Beacons > MOLEDD125 Series - LED Beacons



REFERENCES	
IECEX Certificate	-
Supplier Declaration of Conformity:	-
Installation Guide:	MOLED125-04B_Installation Instructions
User Manual:	-
Manufacturer Datasheet:	MOLED125-04B_ManufacturerDatasheet
Manufacturer Catalogue & Product Selection:	-



Dimension Diagram