

Catalogue No: 3PS2D3NE01P

3PS200 SOCKET OUTLET 3P+N+E+2P 250A (AC23 160A) 440V AC

Plugs, Sockets and Switches > Isolating Plugs and Sockets > Isolating Plugs and Sockets > Proconnect Plugs and Sockets > 250A Disconnect Plugs and Sockets (3PS200 Series) > Socket Outlets

NHP



Representative Photo Only
(actual product may vary based on configuration selections)

3PS200 Socket Outlet 3P+N+E+2P

- Available in five sizes including 30A, 50A, 90A, 150A and 250A (Maximum current rating to IEC60309)
- 3, 4 and 5 pin configurations with optional pilot pins, silver alloy tipped for low voltage drop and high arc resistance
- AC23 rating for making and breaking high inductive loads
- Connect and disconnect under load, eliminates the need for switching
- Interlocked socket and appliance inlet with 24 insert settings (Factory Set) preventing mismatching for a safe and reliable connection
- High ingress protection and exceptional impact resistance, IP66 / IK 08
- Resistance to most industrial chemicals, detergents and exposure to UV light
- Range of angled wall boxes, incline sleeves and handles for all plug and socket combinations

SPECIFICATIONS

Product Series	3PS
Component Type Plugs And Sockets	Socket Outlet
Contacts (Poles)	3P + N + E + 2p
Ie, Rated Operational Current, AC-23, 440V	160 A@440V
Ie, Rated Operational Current, max	250 A,max
M Rating (AS 3133)	M670 AS 3133
Ue, Rated Operational Voltage, AC, min	380 V AC
Ue, Rated Operational Voltage, AC, max	440 V AC
IP Rating	IP66
IK Rating	IK08
Wire / Conductor Size (Max)	120 mm ²
Wire / Conductor Size, Flex Cable, Max	70 mm ² max
Diameter, Cable Jacket, Min	17 mm
Diameter, Cable Jacket, Max	60 mm
Strip Length, Insulation	38 mm
Strip Length, Sheathing	155 mm
Tightening Torque, Nominal	10 Nm
Material, Body / Housing	Aluminium material
Material, Contacts	Silver-Plated Copper Alloy material
Material, Screws / Fastening	Stainless Steel Screws/Fastening
Depth	158 mm
Weight	2.4 kg
Operating Temperature, Min	-30 °C min
Operating Temperature, Max	60 °C max
Standards Compliance	AS/NZS 3947.3 IEC 60309-1 IEC 60529 IEC 60947-3

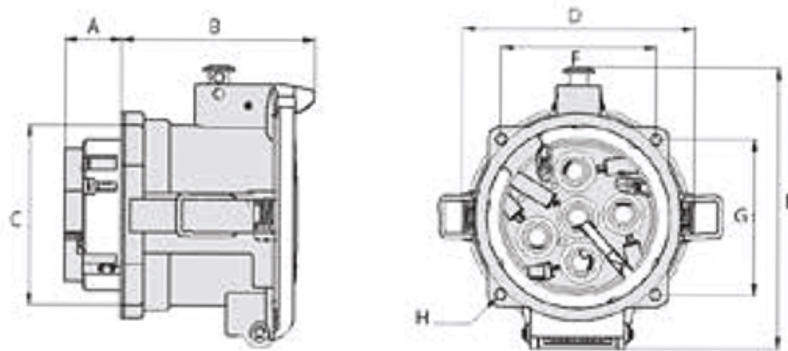
Catalogue No: **3PS2D3NE01P**

3PS200 SOCKET OUTLET 3P+N+E+2P 250A (AC23 160A) 440V AC

Plugs, Sockets and Switches > Isolating Plugs and Sockets > Isolating Plugs and Sockets > Proconnect Plugs and Sockets > 250A Disconnect Plugs and Sockets (3PS200 Series) > Socket Outlets



REFERENCES	
IECEX Certificate	-
Supplier Declaration of Conformity:	-
Installation Guide:	-
User Manual:	-
Manufacturer Datasheet:	-
Manufacturer Catalogue & Product Selection:	-



Series	A	B	C θ	D	E	F	G	H θ	Kg
3PS16	13	71	57	72	97.5	48	48	4.5	0.24
3PS32	16.5	77	69	82	107.5	55	55	4.5	0.38
3PS63	25	89.5	80	100	123.5	66	66	5.5	0.64
3PS125	24	122	99.5	129.2	145	81	81	6	1.50
3PS200	36	122	116	146	177	98	98	6.8	2.40

Dimension Diagram