

# Catalogue No: 3PS1D3NE01

## 3PS16 SOCKET OUTLET 3P+N+E 30A (AC23 16A) 440V AC

Plugs, Sockets and Switches > Isolating Plugs and Sockets > Isolating Plugs and Sockets > Proconnect Plugs and Sockets > 30A Disconnecter Plugs and Sockets (3PS16 Series) > Socket Outlets

**NHP**



Representative Photo Only  
(actual product may vary based on configuration selections)

### 3PS16 Socket Outlet 3P+N+E

- Available in five sizes including 30A, 50A, 90A, 150A and 250A (Maximum current rating to IEC60309)
- 3, 4 and 5 pin configurations with optional pilot pins, silver alloy tipped for low voltage drop and high arc resistance
- AC23 rating for making and breaking high inductive loads
- Connect and disconnect under load, eliminates the need for switching
- Interlocked socket and appliance inlet with 24 insert settings (Factory Set) preventing mismatching for a safe and reliable connection
- High ingress protection and exceptional impact resistance, IP66 / IK 08
- Resistance to most industrial chemicals, detergents and exposure to UV light
- Range of angled wall boxes, incline sleeves and handles for all plug and socket combinations

#### SPECIFICATIONS

Product Series	3PS
Component Type Plugs And Sockets	Socket Outlet
Contacts (Poles)	3P + N + E
Ie, Rated Operational Current, AC-23, 440V	16 A@440V
Ie, Rated Operational Current, max	30 A,max
M Rating (AS 3133)	M200 AS 3133
Ue, Rated Operational Voltage, AC, min	380 V AC
Ue, Rated Operational Voltage, AC, max	440 V AC
IP Rating, Outlet	IP66 Outlet
IP Rating, Outlet and Inlet	IP66 Outlet&Inlet
IK Rating	IK08
Wire / Conductor Size (Max)	10 mm <sup>2</sup>
Wire / Conductor Size, Flex Cable, Max	6 mm <sup>2</sup> max
Diameter, Cable Jacket, Min	7 mm
Strip Length, Insulation	13 mm
Strip Length, Sheathing	33 mm
Tightening Torque, Nominal	1.6 Nm
Material, Body / Housing	Nylon / PA6 / PA66 (Polyamide 6) material
Material, Contacts	Silver-Plated Copper Alloy material
Material, Screws / Fastening	Stainless Steel Screws/Fastening
Depth	84 mm
Weight	0.24 kg
Operating Temperature, Min	-30 °C min
Operating Temperature, Max	60 °C max
Standards Compliance	AS/NZS 3947.3 IEC 60309-1 IEC 60529 IEC 60947-3

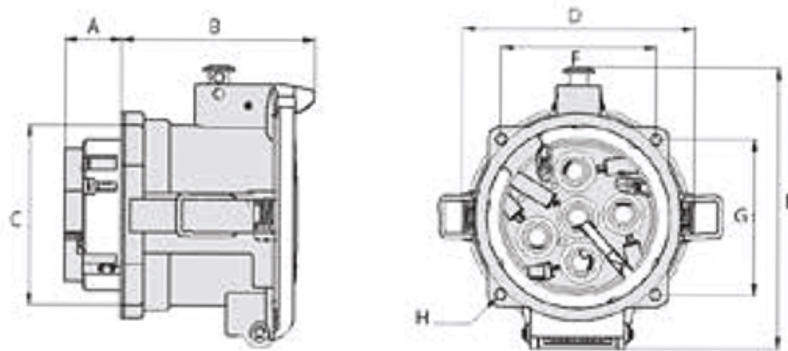
# Catalogue No: **3PS1D3NE01**

## 3PS16 SOCKET OUTLET 3P+N+E 30A (AC23 16A) 440V AC

Plugs, Sockets and Switches > Isolating Plugs and Sockets > Isolating Plugs and Sockets > Proconnect Plugs and Sockets > 30A Disconnect Plugs and Sockets (3PS16 Series) > Socket Outlets



REFERENCES	
IECEX Certificate	-
Supplier Declaration of Conformity:	-
Installation Guide:	-
User Manual:	-
Manufacturer Datasheet:	-
Manufacturer Catalogue & Product Selection:	-



Series	A	B	C $\theta$	D	E	F	G	H $\theta$	Kg
<b>3PS16</b>	13	71	57	72	97.5	48	48	4.5	0.24
<b>3PS32</b>	16.5	77	69	82	107.5	55	55	4.5	0.38
<b>3PS63</b>	25	89.5	80	100	123.5	66	66	5.5	0.64
<b>3PS125</b>	24	122	99.5	129.2	145	81	81	6	1.50
<b>3PS200</b>	36	122	116	146	177	98	98	6.8	2.40

Dimension Diagram