

ELECTRONIC SOUNDERS

Y05 – YL5



- 32 tones
- 2 stage alarm
- Volume control
- Sounder or sounder/beacon combination
- IP65

SPECIFICATIONS

Y05 Sounder		YL5 Sounder-Beacon	
VOLTAGE	CURRENT	VOLTAGE	CURRENT
12-35Vdc	20-67mA	12Vdc	320mA
48Vdc	35mA	24Vdc	320mA
110Vac	25mA	48Vdc	170mA
240Vac	20mA	110Vac	310mA
* Actual current and sound output will depend on tone selected.		240Vac	155mA

Sound Output*: Max 110dB @1m

Sound Frequency: 32 Tones — See Tone Table page 145

Protection: IP54 or IP65
with WR Option

Temp Rating (°C): -25 to +55

Rating: Continuous

Cable Entry: 20mm side and back

Construction: Flame retardant ABS

Weight: 0.55Kg – dc version
0.68Kg- ac version

Light Source: 5J xenon (2J on 12Vdc)

Flash Rate: 60fpm

Weight: 0.81Kg – dc version
0.9Kg- ac version

ORDER CODE

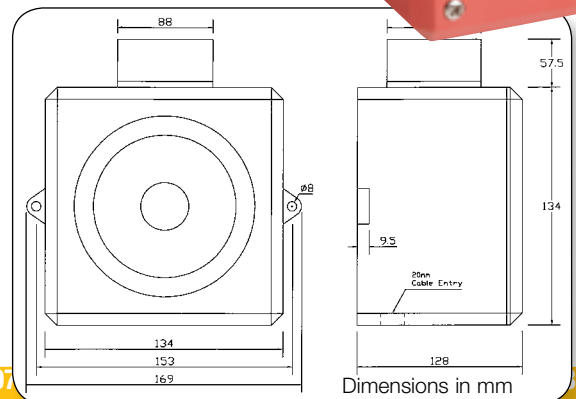
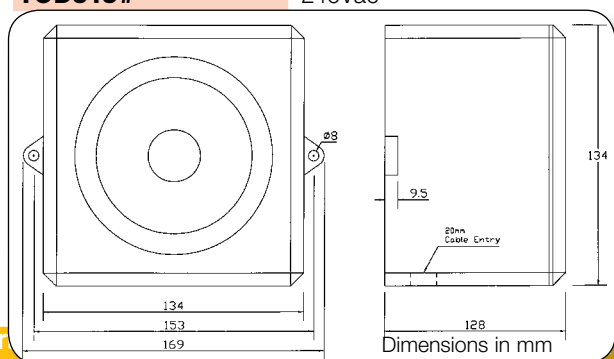
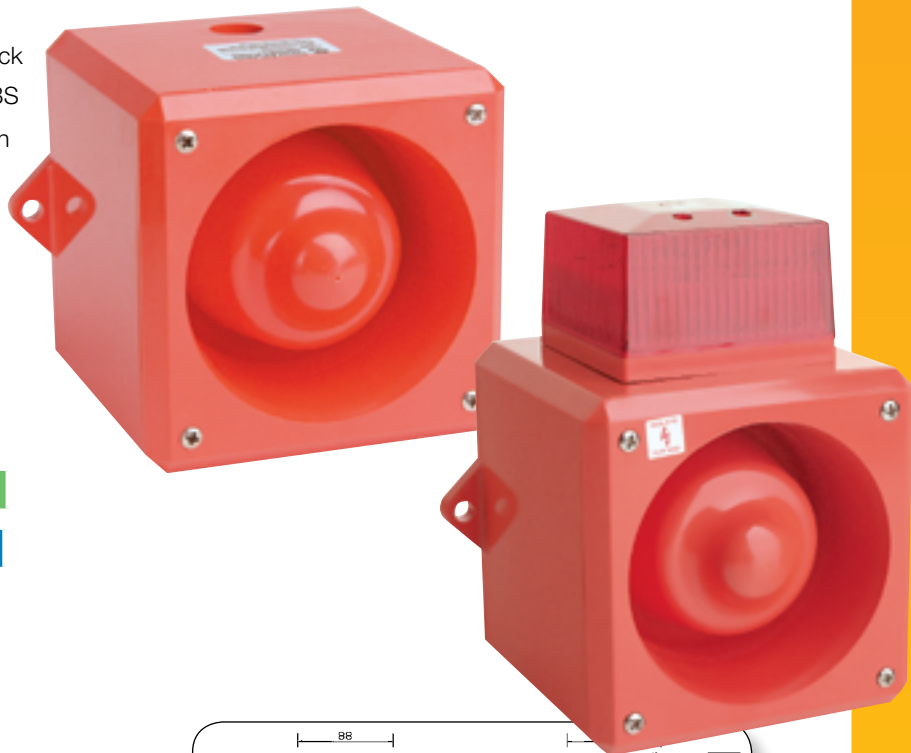
Y05

YOD502#	12-35Vdc
YOD504#	48Vdc
YOD507#	110Vac
YOD508#	240Vac

*SPECIFY IP RATING: 0 = IP54; 1 = IP65

YL5

YOD511#*	12Vdc
YOD512#*	24Vdc
YOD513#*	48Vdc
YOD514#*	110Vac
YOD515#*	240Vac



ELECTRONIC SOUNDERS

Y03-Y04-Y05-Y08 Tone Table



First stage signal	Sound	Frequency	Switching rate (sec.)	Second stage signal
*1	alt.two tone	800-1000	0.5	3
2	"	2500-3100	0.5	4
3		800-1000	0.25	7
4		2500-3100	0.25	8
5		440-554	0.4/0.1	14
6		430-470	1.0	14
7		800-1000	0.13	12
8		2500-3200	0.07	13
9		440-554	2.0	10
10	cont.tone	700	-	1
11	"	1000	-	31
12		1000	-	7
13		2300	-	2
14		440	-	9
15	int.tone	1000	0.25	31
*16	"	420	1.25	30
*17		1000	0.5	1
18		2500	0.25	4
19		2500	0.5	2
20		700	6/12	10
21		1000	1.0	32
22		700	4.0	10
23		700	0.25	10
24		720	0.7/0.3	10
25	int.fast, rising	1400	0.25	26
26	fast siren	250-1200	0.085	11
27	rising cons	1000	10/40/10	17
28	iso 8201 evac	800-1000	as std	11
*29	fast whoop	500-1000	0.15	32
*30	slow whoop	500-1200	4.5	12
*31	reverse sweep	1200-500	1	11
*32	siren	500-1200	3.0	26