

## ELECTRONIC SOUNDERS

### Y03



- 32 tones
- 2 stage alarm
- Volume control
- IP65 with WR option

#### SPECIFICATIONS

VOLTAGE	CURRENT
12-35Vdc	20-67mA*
48Vdc	35mA*
110Vac	25mA
240Vac	20mA

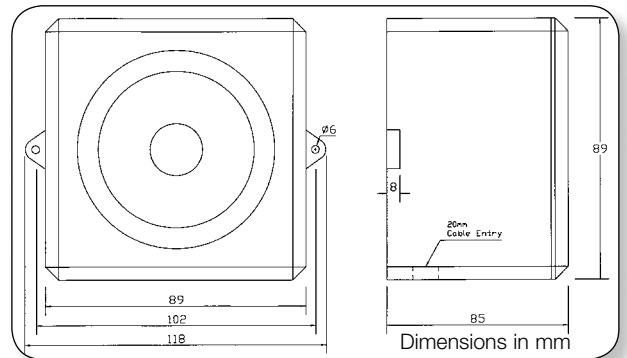
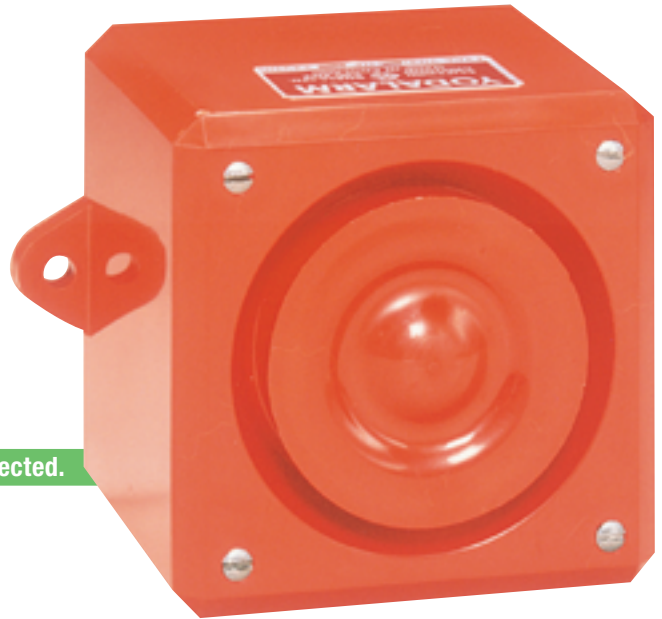
\* Actual current and sound output will depend on tone selected.

<b>Sound Output*:</b>	92dB @1m (12Vdc)
<b>Max 100dB @1m</b>	
<b>Sound Frequency:</b>	32 tones — See Tone Table page 145
<b>Protection:</b>	IP54 or IP65 with WR Option
<b>Voltage Tolerance:</b>	±10%
<b>Temp Rating (°C):</b>	-25 to +55
<b>Cable Entry:</b>	20mm
<b>Rating:</b>	Continuous
<b>Construction:</b>	Fire retardant ABS
<b>Weight:</b>	0.24Kg

#### ORDER CODE

<b>YOD302*</b>	10 – 35Vdc
<b>YOD304*</b>	48Vdc
<b>YOD307*</b>	110Vac
<b>YOD308*</b>	240Vac

\*\*SPECIFY IP RATING: 0 = IP54; 1 = IP65



## ELECTRONIC SOUNDERS

### Y03-Y04-Y05-Y08 Tone Table



First stage signal	Sound	Frequency	Switching rate (sec.)	Second stage signal
*1	alt.two tone	800-1000	0.5	3
2	"	2500-3100	0.5	4
3		800-1000	0.25	7
4		2500-3100	0.25	8
5		440-554	0.4/0.1	14
6		430-470	1.0	14
7		800-1000	0.13	12
8		2500-3200	0.07	13
9		440-554	2.0	10
10	cont.tone	700	-	1
11	"	1000	-	31
12		1000	-	7
13		2300	-	2
14		440	-	9
15	int.tone	1000	0.25	31
*16	"	420	1.25	30
*17		1000	0.5	1
18		2500	0.25	4
19		2500	0.5	2
20		700	6/12	10
21		1000	1.0	32
22		700	4.0	10
23		700	0.25	10
24		720	0.7/0.3	10
25	int.fast, rising	1400	0.25	26
26	fast siren	250-1200	0.085	11
27	rising cons	1000	10/40/10	17
28	iso 8201 evac	800-1000	as std	11
*29	fast whoop	500-1000	0.15	32
*30	slow whoop	500-1200	4.5	12
*31	reverse sweep	1200-500	1	11
*32	siren	500-1200	3.0	26