

NEMA 2 CABLE LADDER



PRODUCT DETAILS

EzyStrut Nema 2 Steel Cable Ladder is manufactured from strip steel to the following Standards:

- Mild steel and Hot Dip Galvanised to AS/NZS1365, AS1594, AS/NZS4680, ISO1461
- Stainless Steel to AS1449/AS2837
- Meets the loading requirements of NEMA 16A Classification

STANDARD LENGTH

- 6 Metres
- 3 Metre lengths manufactured against firm orders only

ORDERING DETAILS

Supplied per length

AVAILABLE FINISH	ORDERING CODE
Hot Dip Galvanised	N2L...H
Stainless Steel	N2L...S

Stainless Steel products are manufactured against firm orders only. Minimum production quantities may apply.

Ordering Code	Cable Laying Width - W (mm)	Cable Laying Depth (mm)	Overall Width (mm)	Side Rail Height (mm)
N2L150	150	75	206	93
N2L300	300	75	356	93
N2L450	450	75	506	93
N2L600	600	75	656	93
N2L900	900	75	956	93

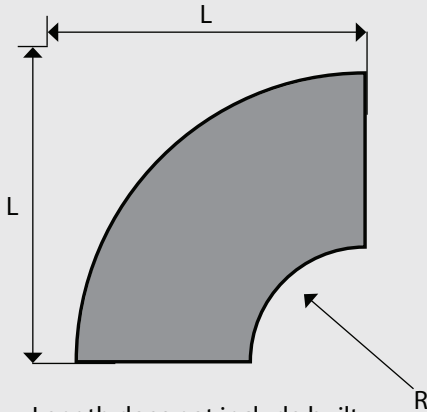
LOAD RATING AND DEFLECTION

SPAN METRE	LOAD PER METRE	DEFLECTION
6.0	50kg	Deflection 31mm
5.5	60kg	Deflection 26mm
5.0	72kg	Deflection 21mm
4.5	89kg	Deflection 17mm
4.0	113kg	Deflection 14mm

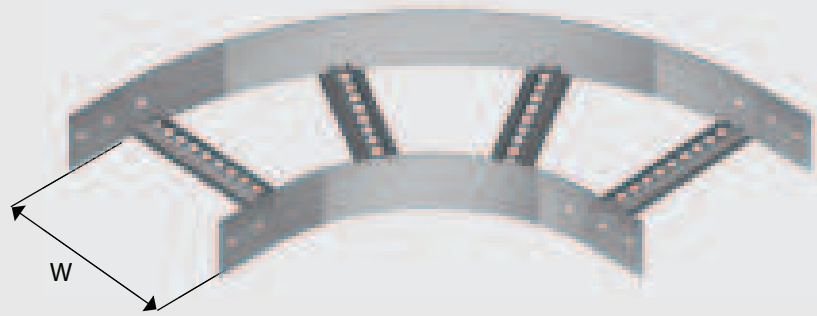
Nema 2 Steel Cable Ladder has been tested in accordance with NEMA standards and the load ratings certified by a NATA accredited testing facility.

A guide to deflection for continuous runs has been included for easy reference, however it should be noted that the positioning of splice joints and loading techniques can significantly impact upon the actual deflection. Refer to NEMA VE2 Installation guidelines for further explanation.

NEMA 2 CABLE LADDER BEND



Length does not include built in splice plates. Splice plate length is 150mm.



Fitting shown for illustration purposes only. The rung layout shown is typical and will vary on each fitting, depending on width and radius.

PRODUCT DETAILS

EzyStrut Nema 2 Steel Cable Ladder Bends are manufactured from strip steel to the following standards:

- Mild steel and Hot Dip Galvanised to AS/NZS1365, AS1594, AS/NZS4680, ISO1461
- Stainless Steel to AS1449/AS2837
- Meets the loading requirements of NEMA 16A Classification

The standard radius for EzyStrut Nema 2 Bends is 450mm.

8 splice bolts (SBH or SBS) and splice nuts (SNH or SNS) should be ordered separately for installation. See Page 2.2.

ORDERING DETAILS

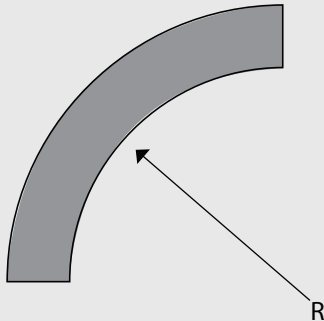
Supplied individually

AVAILABLE FINISH	ORDERING CODE
Hot Dip Galvanised	N2B...H
Stainless Steel	N2B...S

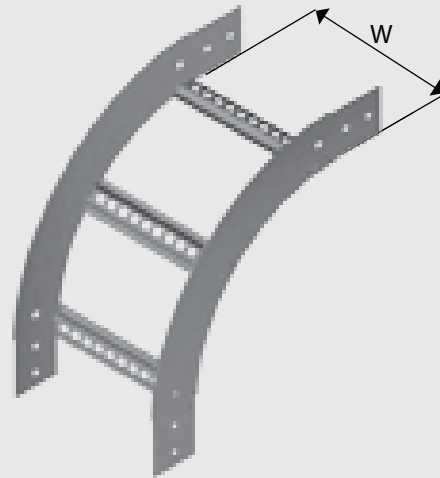
Stainless Steel products are manufactured against firm orders only. Minimum production quantities may apply.

	Ordering Code	Cable Laying Width - W (mm)	Cable Laying Depth (mm)	Length - L (mm)	Radius - R (mm)
300mm Radius	N2B1503	150	75	450	300
	N2B3003	300	75	600	300
	N2B4503	450	75	750	300
	N2B6003	600	75	900	300
	N2B9003	900	75	1200	300
450mm Radius Standard Radius	N2B1504	150	75	600	450
	N2B3004	300	75	750	450
	N2B4504	450	75	900	450
	N2B6004	600	75	1050	450
	N2B9004	900	75	1350	450
600mm Radius	N2B1506	150	75	750	600
	N2B3006	300	75	900	600
	N2B4506	450	75	1050	600
	N2B6006	600	75	1200	600
	N2B9006	900	75	1500	600

NEMA 2 CABLE LADDER EXTERNAL RISER



Radius does not include built in splice plates. Splice plate length is 150mm.



Fitting shown for illustration purposes only. The rung layout shown is typical and will vary on each fitting, depending on width and radius.

PRODUCT DETAILS

EzyStrut Nema 2 Steel Cable Ladder External Risers are manufactured from strip steel to the following standards:

- Mild steel and Hot Dip Galvanised to AS/NZS1365, AS1594, AS/NZS4680, ISO1461
- Stainless Steel to AS1449/AS2837
- Meets the loading requirements of NEMA 16A Classification

ORDERING DETAILS

Supplied individually

AVAILABLE FINISH

Hot Dip Galvanised
Stainless Steel

ORDERING CODE

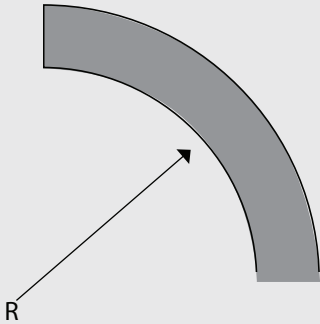
N2ER...H
N2ER...S

The standard radius for EzyStrut Nema 2 External Risers is 450mm. Stainless Steel products are manufactured against firm orders only. Minimum production quantities may apply.

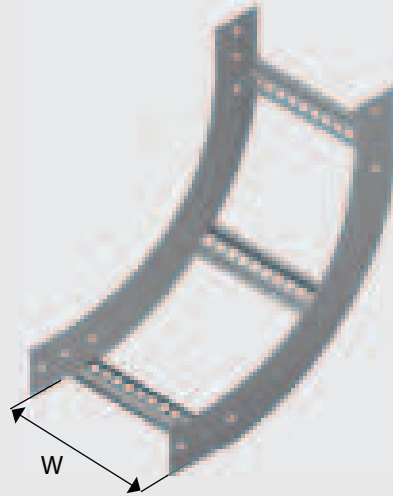
8 splice bolts (SBH or SBS) and splice nuts (SNH or SNS) should be ordered separately for installation. See Page 2.2.

	Ordering Code	Cable Laying Width - W (mm)	Cable Laying Depth (mm)	Radius - R (mm)
300mm Radius	N2ER1503	150	75	300
	N2ER3003	300	75	300
	N2ER4503	450	75	300
	N2ER6003	600	75	300
	N2ER9003	900	75	300
450mm Radius	N2ER1504	150	75	450
	N2ER3004	300	75	450
	N2ER4504	450	75	450
	N2ER6004	600	75	450
	N2ER9004	900	75	450
600mm Radius	N2ER1506	150	75	600
	N2ER3006	300	75	600
	N2ER4506	450	75	600
	N2ER6006	600	75	600
	N2ER9006	900	75	600

NEMA 2 CABLE LADDER INTERNAL RISER



Radius does not include built in splice plates. Splice plate length is 150mm.



Fitting shown for illustration purposes only. The rung layout shown is typical and will vary on each fitting, depending on width and radius.

PRODUCT DETAILS

EzyStrut Nema 2 Steel Cable Ladder Internal Risers are manufactured from strip steel to the following standards:

- Mild steel and Hot Dip Galvanised to AS/NZS1365, AS1594, AS/NZS4680, ISO1461
- Stainless Steel to AS1449/AS2837
- Meets the loading requirements of NEMA 16A Classification

ORDERING DETAILS

Supplied individually

AVAILABLE FINISH

Hot Dip Galvanised
Stainless Steel

ORDERING CODE

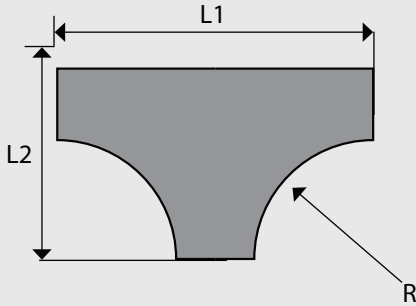
N2IR...H
N2IR...S

The standard radius for EzyStrut Nema 2 Internal Risers is 450mm. Stainless Steel products are manufactured against firm orders only. Minimum production quantities may apply.

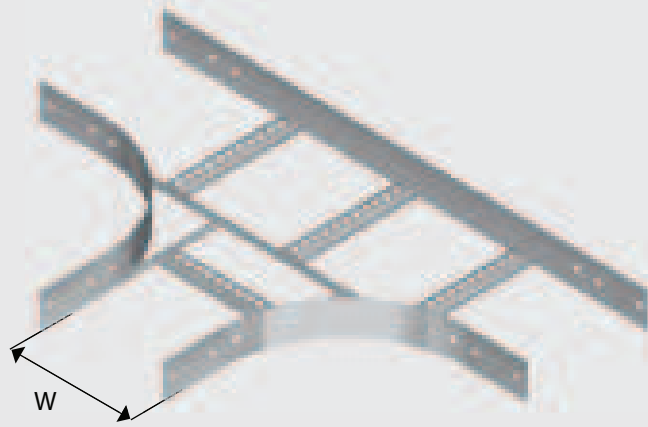
8 splice bolts (SBH or SBS) and splice nuts (SNH or SNS) should be ordered separately for installation. See Page 2.2.

	Ordering Code	Cable Laying Width - W (mm)	Cable Laying Depth (mm)	Radius - R (mm)
300mm Radius	N2IR1503	150	75	300
	N2IR3003	300	75	300
	N2IR4503	450	75	300
	N2IR6003	600	75	300
	N2IR9003	900	75	300
450mm Radius	N2IR1504	150	75	450
	N2IR3004	300	75	450
	N2IR4504	450	75	450
	N2IR6004	600	75	450
	N2IR9004	900	75	450
600mm Radius	N2IR1506	150	75	600
	N2IR3006	300	75	600
	N2IR4506	450	75	600
	N2IR6006	600	75	600
	N2IR9006	900	75	600

NEMA 2 CABLE LADDER TEE



Length does not include built in splice plates. Splice plate length is 150mm.



Fitting shown for illustration purposes only. The rung layout shown is typical and will vary on each fitting, depending on width and radius.

PRODUCT DETAILS

EzyStrut Nema 2 Steel Cable Ladder Tees are manufactured from strip steel to the following standards:

- Mild steel and Hot Dip Galvanised to AS/NZS1365, AS1594, AS/NZS4680, ISO1461
- Stainless Steel to AS1449/AS2837
- Meets the loading requirements of NEMA 16A Classification

The standard radius for EzyStrut Nema 2 Tees is 450mm.

12 splice bolts (SBH or SBS) and splice nuts (SNH or SNS) should be ordered separately for installation. See Page 2.2.

ORDERING DETAILS

Supplied individually

AVAILABLE FINISH

Hot Dip Galvanised
Stainless Steel

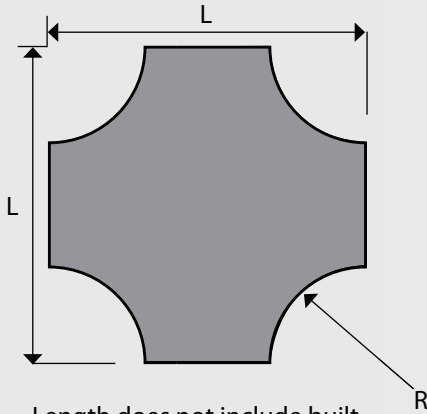
ORDERING CODE

N2T...H
N2T...S

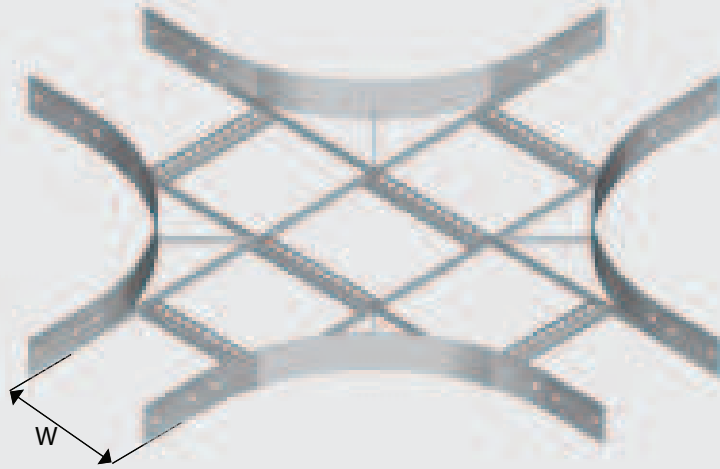
Stainless Steel products are manufactured against firm orders only. Minimum production quantities may apply.

	Ordering Code	Cable Laying Width - W (mm)	Cable Laying Depth	Length 1 - L1 (mm)	Length 2 - L2 (mm)	Radius - R (mm)
300mm Radius	N2T1503	150	75	750	450	300
	N2T3003	300	75	900	600	300
	N2T4503	450	75	1050	750	300
	N2T6003	600	75	1200	900	300
	N2T9003	900	75	1500	1200	300
450mm Radius	N2T1504	150	75	1050	600	450
	N2T3004	300	75	1200	750	450
	N2T4504	450	75	1350	900	450
	N2T6004	600	75	1500	1050	450
	N2T9004	900	75	1800	1350	450
600mm Radius	N2T1506	150	75	1350	750	600
	N2T3006	300	75	1500	900	600
	N2T4506	450	75	1650	1050	600
	N2T6006	600	75	1800	1200	600
	N2T9006	900	75	2100	1500	600

NEMA 2 CABLE LADDER CROSS



Length does not include built in splice plates. Splice plate length is 150mm.



Fitting shown for illustration purposes only. The rung layout shown is typical and will vary on each fitting, depending on width and radius.

PRODUCT DETAILS

EzyStrut Nema 2 Steel Cable Ladder Crosses are manufactured from strip steel to the following standards:

- Mild steel and Hot Dip Galvanised to AS/NZS1365, AS1594, AS/NZS4680, ISO1461
- Stainless Steel to AS1449/AS2837
- Meets the loading requirements of NEMA 16A Classification

The standard radius for EzyStrut Nema 2 Crosses is 450mm.

16 splice bolts (SBH or SBS) and splice nuts (SNH or SNS) should be ordered separately for installation. See Page 2.2.

ORDERING DETAILS

Supplied individually

AVAILABLE FINISH

Hot Dip Galvanised
Stainless Steel

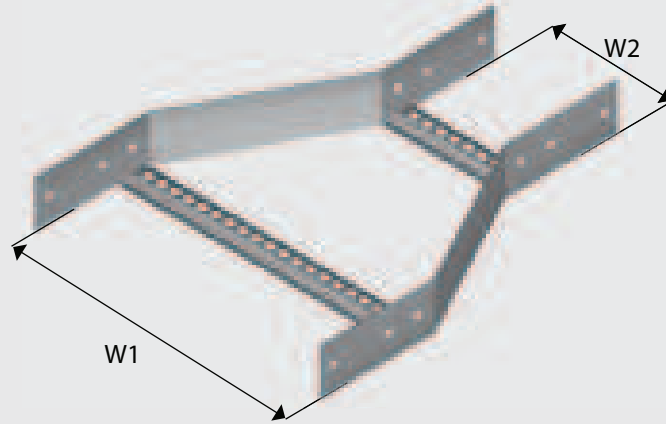
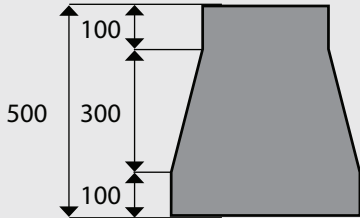
ORDERING CODE

N2C...H
N2C...S

Stainless Steel products are manufactured against firm orders only. Minimum production quantities may apply.

	Ordering Code	Cable Laying Width - W (mm)	Cable Laying Depth (mm)	Length - L (mm)	Radius - R (mm)
300mm Radius	N2C1503	150	75	750	300
	N2C3003	300	75	900	300
	N2C4503	450	75	1050	300
	N2C6003	600	75	1200	300
	N2C9003	900	75	1500	300
450mm Radius	N2C1504	150	75	1050	450
	N2C3004	300	75	1200	450
	N2C4504	450	75	1350	450
	N2C6004	600	75	1500	450
	N2C9004	900	75	1800	450
600mm Radius	N2C1506	150	75	1350	600
	N2C3006	300	75	1500	600
	N2C4506	450	75	1650	600
	N2C6006	600	75	1800	600
	N2C9006	900	75	2100	600

NEMA 2 CABLE LADDER STRAIGHT REDUCER



Length does not include built in splice plates. Splice plate length is 150mm.

PRODUCT DETAILS

EzyStrut Nema 2 Steel Cable Ladder Straight Reducers are manufactured from strip steel to the following standards:

- Mild steel and Hot Dip Galvanised to AS/NZS1365, AS1594, AS/NZS4680, ISO1461
- Stainless Steel to AS1449/AS2837
- Meets the loading requirements of NEMA 16A Classification

8 splice bolts (SBH or SBS) and splice nuts (SNH or SNS) should be ordered separately for installation. See Page 2.2.

ORDERING DETAILS

Supplied individually

AVAILABLE FINISH

Hot Dip Galvanised
Stainless Steel

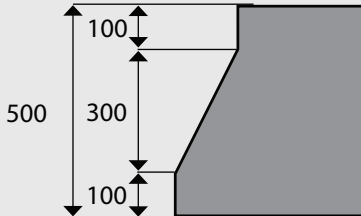
ORDERING CODE

N2SR...H
N2SR...S

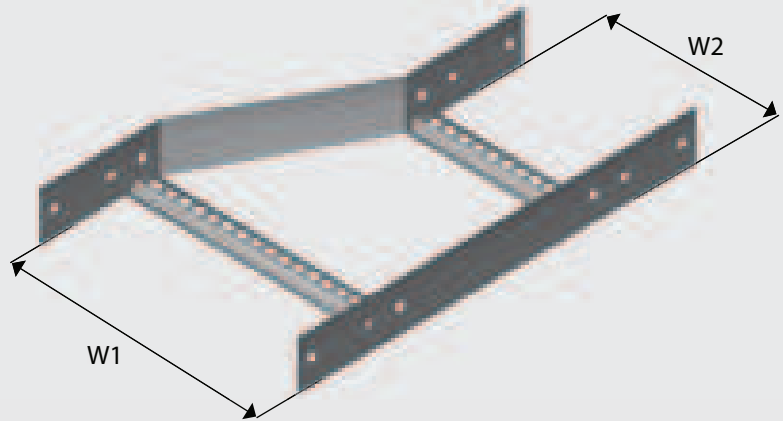
Stainless Steel products are manufactured against firm orders only. Minimum production quantities may apply.

Ordering Code	Cable Laying Depth (mm)	Width 1 - W1 (mm)	Width 2 - W2 (mm)
N2SR900600	75	900	600
N2SR900450	75	900	450
N2SR900300	75	900	300
N2SR900150	75	900	150
N2SR600450	75	600	450
N2SR600300	75	600	300
N2SR600150	75	600	150
N2SR450300	75	450	300
N2SR450150	75	450	150
N2SR300150	75	300	150

NEMA 2 CABLE LADDER RIGHT HAND REDUCER



Length does not include built in splice plates. Splice plate length is 150mm.



PRODUCT DETAILS

EzyStrut Nema 2 Steel Cable Ladder Right Hand Reducers are manufactured from strip steel to the following standards:

- Mild steel and Hot Dip Galvanised to AS/NZS1365, AS1594, AS/NZS4680, ISO1461
- Stainless Steel to AS1449/AS2837
- Meets the loading requirements of NEMA 16A Classification

8 splice bolts (SBH or SBS) and splice nuts (SNH or SNS) should be ordered separately for installation. See Page 2.2.

ORDERING DETAILS

Supplied individually

AVAILABLE FINISH

Hot Dip Galvanised
Stainless Steel

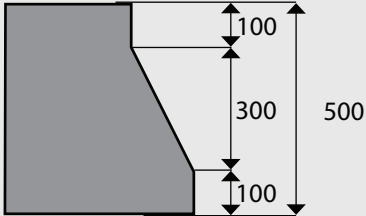
ORDERING CODE

N2RHR...H
N2RHR...S

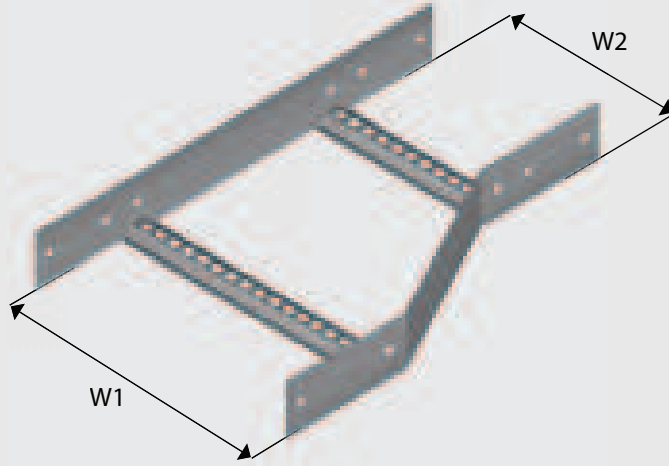
Stainless Steel products are manufactured against firm orders only. Minimum production quantities may apply.

Ordering Code	Cable Laying Depth (mm)	Width 1 - W1 (mm)	Width 2 - W2 (mm)
N2RHR900600	75	900	600
N2RHR900450	75	900	450
N2RHR900300	75	900	300
N2RHR900150	75	900	150
N2RHR600450	75	600	450
N2RHR600300	75	600	300
N2RHR600150	75	600	150
N2RHR450300	75	450	300
N2RHR450150	75	450	150
N2RHR300150	75	300	150

NEMA 2 CABLE LADDER LEFT HAND REDUCER



Length does not include built in splice plates. Splice plate length is 150mm.



PRODUCT DETAILS

EzyStrut Nema 2 Steel Cable Ladder Left Hand Reducers are manufactured from strip steel to the following standards:

- Mild steel and Hot Dip Galvanised to AS/NZS1365, AS1594, AS/NZS4680, ISO1461
- Stainless Steel to AS1449/AS2837
- Meets the loading requirements of NEMA 16A Classification

8 splice bolts (SBH or SBS) and splice nuts (SNH or SNS) should be ordered separately for installation. See Page 2.2.

ORDERING DETAILS

Supplied individually

AVAILABLE FINISH

Hot Dip Galvanised
Stainless Steel

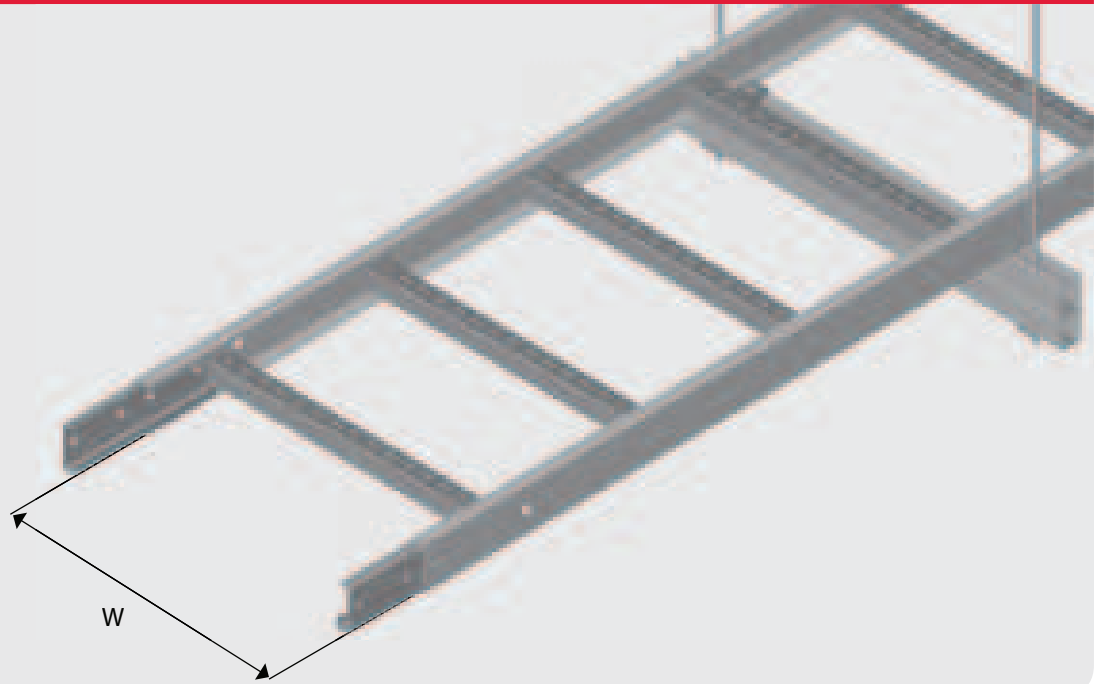
ORDERING CODE

N2LHR...H
N2LHR...S

Stainless Steel products are manufactured against firm orders only. Minimum production quantities may apply.

Ordering Code	Cable Laying Depth (mm)	Width 1 - W1 (mm)	Width 2 - W2 (mm)
N2LHR900600	75	900	600
N2LHR900450	75	900	450
N2LHR900300	75	900	300
N2LHR900150	75	900	150
N2LHR600450	75	600	450
N2LHR600300	75	600	300
N2LHR600150	75	600	150
N2LHR450300	75	450	300
N2LHR450150	75	450	150
N2LHR300150	75	300	150

NEMA 2 AS3013:2005 FIRE RATED CABLE LADDER



PRODUCT DETAILS

EzyStrut Nema 2 Fire Rated Steel Cable Ladder is manufactured from strip steel to comply with the AS3013:2005 standard.

- Reverse Rail System complete with Splice Plates.
- Achieves standard 2 hour fire rating at 1050°C.
- Uniform Load Rating of 50kg per metre.
- Max Support Span: 1.5m.
- Hot dip galvanised finish to AS/NZS4680:2005.
- Supplied with Trapeze Support pre drilled for M12 Hot Dip Galvanised threaded rod.
- Custom fittings available upon request.
- Fire rating only applies when used as a complete system.
- End of runs must be tied. Contact your local EzyStrut sales office for more information.
- Australian Innovation Patent 2011100385.

STANDARD LENGTH

- 6 Metre lengths manufactured against firm orders only

ORDERING DETAILS

Supplied per length

AVAILABLE FINISH

Hot Dip Galvanised

ORDERING CODE

N2LFR...H

- Supplied with E55001S Trapeze Support.
- Requires threaded rod TR12H.

Ordering Code

Cable Laying Width - W (mm)

Cable Laying Depth (mm)

Overall Width (mm)

Side Rail Height (mm)

N2LFR150
N2LFR300
N2LFR450
N2LFR600

150
300
450
600

45
45
45
45

260
410
560
710

93
93
93
93