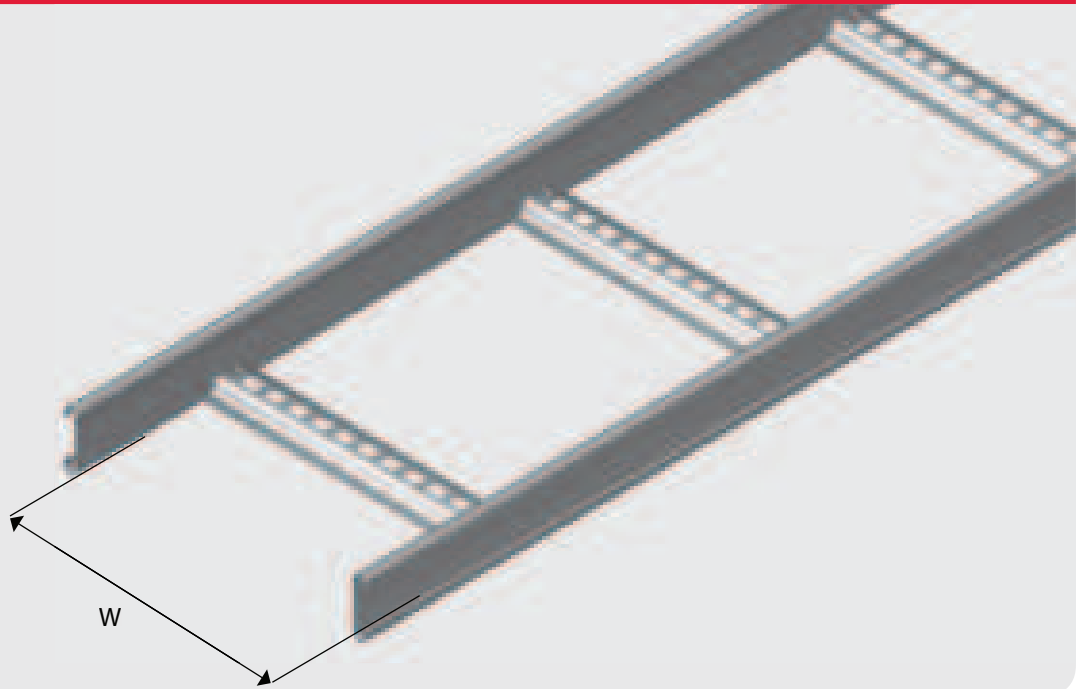


**NEMA 1 CABLE LADDER**



**PRODUCT DETAILS**

EzyStrut Nema 1 Steel Cable Ladder is manufactured from strip steel to the following standards:

- Mild steel and Hot Dip Galvanised to AS/NZS1365, AS1594, AS/NZS4680, ISO1461
- Stainless Steel to AS1449/AS2837
- Meets the loading requirements of NEMA 12A Classification

**STANDARD LENGTH**

- 3 Metres
- 6 Metre lengths manufactured against firm orders only

**ORDERING DETAILS**

Supplied per length

AVAILABLE FINISH	ORDERING CODE
Hot Dip Galvanised	N1L...H
Stainless Steel	N1L...S

Stainless Steel products are manufactured against firm orders only. Minimum production quantities may apply.

Ordering Code	Cable Laying Width - W (mm)	Cable Laying Depth (mm)	Overall Width (mm)	Side Rail Height (mm)
N1L150	150	43	176	65
N1L300	300	43	326	65
N1L450	450	43	476	65
N1L600	600	43	626	65
N1L900	900	43	926	65

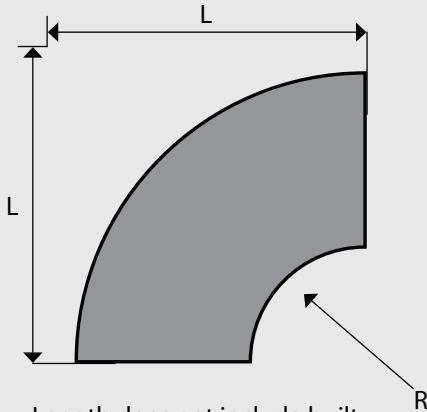
**LOAD RATING AND DEFLECTION**

SPAN METRE	LOAD PER METRE	DEFLECTION
3.0	112kg	Deflection 18mm
2.5	160kg	Deflection 13mm
2.0	233kg	Deflection 9mm
1.5	248kg	Deflection 6mm

Nema 1 Steel Cable Ladder has been tested in accordance with NEMA standards and the load ratings certified by a NATA accredited testing facility.

A guide to deflection for continuous runs has been included for easy reference, however it should be noted that the positioning of splice joints and loading techniques can significantly impact upon the actual deflection. Refer to NEMA VE2 Installation guidelines for further explanation.

### NEMA 1 CABLE LADDER BEND



Length does not include built in splice plates. Splice plate length is 75mm.



Fitting shown for illustration purposes only. The rung layout shown is typical and will vary on each fitting, depending on width and radius.

#### PRODUCT DETAILS

EzyStrut Nema 1 Steel Cable Ladder Bends are manufactured from strip steel to the following standards:

- Mild steel and Hot Dip Galvanised to AS/NZS1365, AS1594, AS/NZS4680, ISO1461
- Stainless Steel to AS1449/AS2837
- Meets the loading requirements of NEMA 12A Classification

The standard radius for EzyStrut Nema 1 Bends is 300mm.

4 x M8 HEX screws (HS820) supplied for installation.

#### ORDERING DETAILS

Supplied individually

#### AVAILABLE FINISH

Hot Dip Galvanised  
Stainless Steel

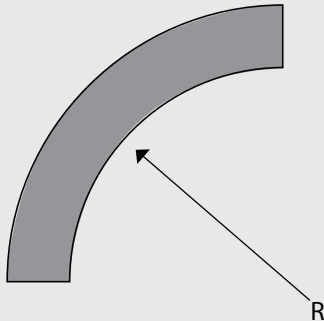
#### ORDERING CODE

N1B...H  
N1B...S

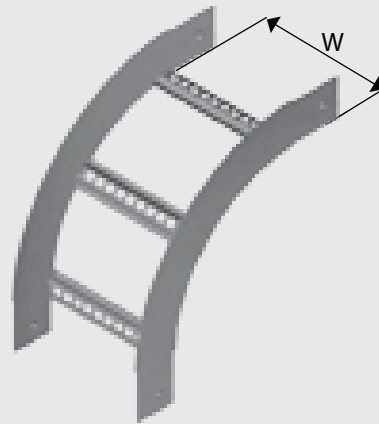
Stainless Steel products are manufactured against firm orders only. Minimum production quantities may apply.

	Ordering Code	Cable Laying Width - W (mm)	Cable Laying Depth (mm)	Length - L (mm)	Radius - R (mm)
300mm Radius	N1B1503	150	43	450	300
	N1B3003	300	43	600	300
	N1B4503	450	43	750	300
	N1B6003	600	43	900	300
	N1B9003	900	43	1200	300
450mm Radius	N1B1504	150	43	600	450
	N1B3004	300	43	750	450
	N1B4504	450	43	900	450
	N1B6004	600	43	1050	450
	N1B9004	900	43	1350	450
600mm Radius	N1B1506	150	43	750	600
	N1B3006	300	43	900	600
	N1B4506	450	43	1050	600
	N1B6006	600	43	1200	600
	N1B9006	900	43	1500	600

## NEMA 1 CABLE LADDER EXTERNAL RISER



Radius does not include built in splice plates. Splice plate length is 75mm.



Fitting shown for illustration purposes only. The rung layout shown is typical and will vary on each fitting, depending on width and radius.

### PRODUCT DETAILS

EzyStrut Nema 1 Steel Cable Ladder External Risers are manufactured from strip steel to the following standards:

- Mild steel and Hot Dip Galvanised to AS/NZS1365, AS1594, AS/NZS4680, ISO1461
- Stainless Steel to AS1449/AS2837
- Meets the loading requirements of NEMA 12A Classification

### ORDERING DETAILS

Supplied individually

#### AVAILABLE FINISH

Hot Dip Galvanised  
Stainless Steel

#### ORDERING CODE

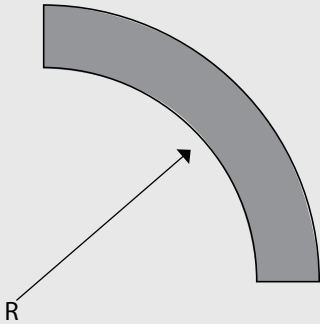
N1ER...H  
N1ER...S

The standard radius for EzyStrut Nema 1 External Risers is 300mm. Stainless Steel products are manufactured against firm orders only. Minimum production quantities may apply.

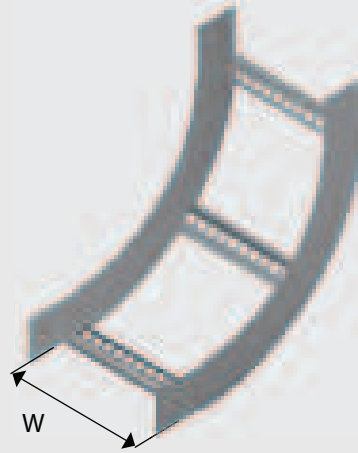
4 x M8 HEX screws (HS820) supplied for installation.

	Ordering Code	Cable Laying Width - W (mm)	Cable Laying Depth (mm)	Radius - R (mm)
300mm Radius	N1ER1503	150	43	300
	N1ER3003	300	43	300
	N1ER4503	450	43	300
	N1ER6003	600	43	300
	N1ER9003	900	43	300
450mm Radius	N1ER1504	150	43	450
	N1ER3004	300	43	450
	N1ER4504	450	43	450
	N1ER6004	600	43	450
	N1ER9004	900	43	450
600mm Radius	N1ER1506	150	43	600
	N1ER3006	300	43	600
	N1ER4506	450	43	600
	N1ER6006	600	43	600
	N1ER9006	900	43	600

### NEMA 1 CABLE LADDER INTERNAL RISER



Radius does not include built in splice plates. Splice plate length is 75mm.



Fitting shown for illustration purposes only. The rung layout shown is typical and will vary on each fitting, depending on width and radius.

#### PRODUCT DETAILS

EzyStrut Nema 1 Steel Cable Ladder Internal Risers are manufactured from strip steel to the following standards:

- Mild steel and Hot Dip Galvanised to AS/NZS1365, AS1594, AS/NZS4680, ISO1461
- Stainless Steel to AS1449/AS2837
- Meets the loading requirements of NEMA 12A Classification

#### ORDERING DETAILS

Supplied individually

#### AVAILABLE FINISH

Hot Dip Galvanised  
Stainless Steel

#### ORDERING CODE

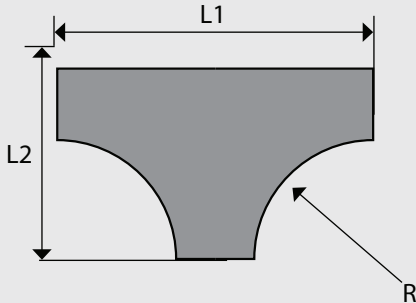
N1R...H  
N1R...S

The standard radius for EzyStrut Nema 1 Internal Risers is 300mm. Stainless Steel products are manufactured against firm orders only. Minimum production quantities may apply.

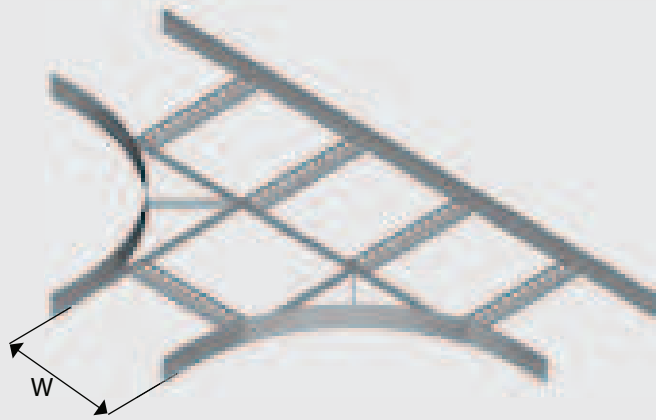
4 x M8 HEX screws (HS820) supplied for installation.

Ordering Code		Cable Laying Width - W (mm)	Cable Laying Depth (mm)	Radius - R (mm)
300mm Radius	N1R1503	150	43	300
	N1R3003	300	43	300
	N1R4503	450	43	300
	N1R6003	600	43	300
	N1R9003	900	43	300
450mm Radius	N1R1504	150	43	450
	N1R3004	300	43	450
	N1R4504	450	43	450
	N1R6004	600	43	450
	N1R9004	900	43	450
600mm Radius	N1R1506	150	43	600
	N1R3006	300	43	600
	N1R4506	450	43	600
	N1R6006	600	43	600
	N1R9006	900	43	600

## NEMA 1 CABLE LADDER TEE



Length does not include built in splice plates. Splice plate length is 75mm.



Fitting shown for illustration purposes only. The rung layout shown is typical and will vary on each fitting, depending on width and radius.

### PRODUCT DETAILS

EzyStrut Nema 1 Steel Cable Ladder Tees are manufactured from strip steel to the following standards:

- Mild steel and Hot Dip Galvanised to AS/NZS1365, AS1594, AS/NZS4680, ISO1461
- Stainless Steel to AS1449/AS2837
- Meets the loading requirements of NEMA 12A Classification

The standard radius for EzyStrut Nema 1 Tees is 300mm.

6 x M8 HEX screws (HS820) supplied for installation.

### ORDERING DETAILS

Supplied individually

#### AVAILABLE FINISH

Hot Dip Galvanised  
Stainless Steel

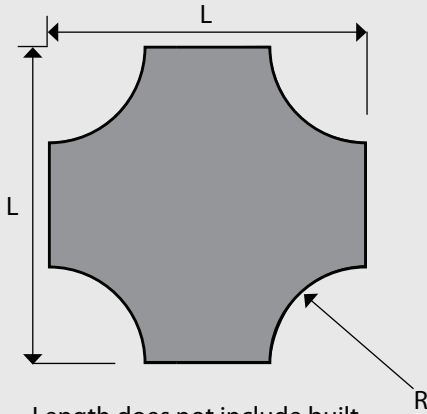
#### ORDERING CODE

N1T...H  
N1T...S

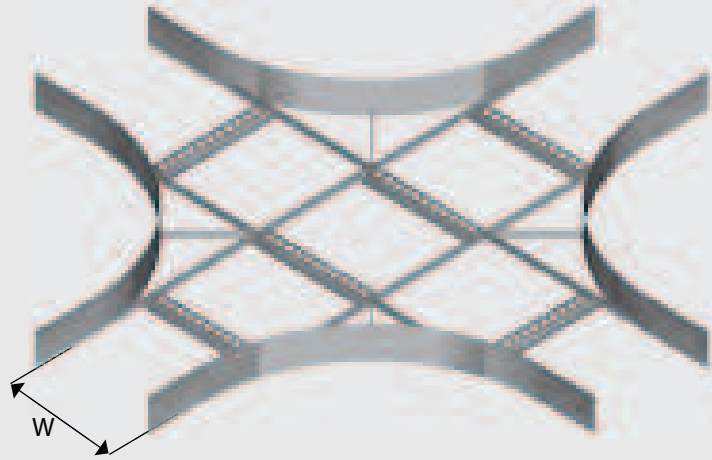
Stainless Steel products are manufactured against firm orders only. Minimum production quantities may apply.

Ordering Code		Cable Laying Width - W (mm)	Cable Laying Depth	Length 1 - L1 (mm)	Length 2 - L2 (mm)	Radius - R (mm)
300mm Radius	N1T1503	150	43	900	450	300
	N1T3003	300	43	1050	600	300
	N1T4503	450	43	1200	750	300
	N1T6003	600	43	1350	900	300
	N1T9003	900	43	1650	1200	300
450mm Radius	N1T1504	150	43	1200	600	450
	N1T3004	300	43	1350	750	450
	N1T4504	450	43	1500	900	450
	N1T6004	600	43	1650	1050	450
	N1T9004	900	43	1950	1350	450
600mm Radius	N1T1506	150	43	1500	750	600
	N1T3006	300	43	1650	900	600
	N1T4506	450	43	1800	1050	600
	N1T6006	600	43	1950	1200	600
	N1T9006	900	43	2250	1500	600

### NEMA 1 CABLE LADDER CROSS



Length does not include built in splice plates. Splice plate length is 75mm.



Fitting shown for illustration purposes only. The rung layout shown is typical and will vary on each fitting, depending on width and radius.

#### PRODUCT DETAILS

EzyStrut Nema 1 Steel Cable Ladder Crosses are manufactured from strip steel to the following standards:

- Mild steel and Hot Dip Galvanised to AS/NZS1365, AS1594, AS/NZS4680, ISO1461
- Stainless Steel to AS1449/AS2837
- Meets the loading requirements of NEMA 12A Classification

The standard radius for EzyStrut Nema 1 Crosses is 300mm.

8 x M8 HEX screws (HS820) supplied for installation.

#### ORDERING DETAILS

Supplied individually

#### AVAILABLE FINISH

Hot Dip Galvanised  
Stainless Steel

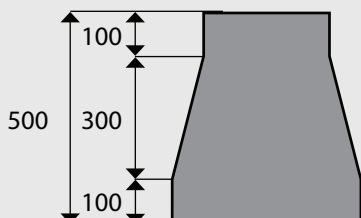
#### ORDERING CODE

N1C...H  
N1C...S

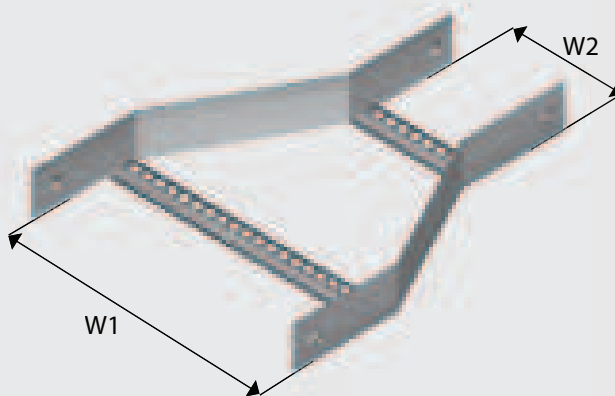
Stainless Steel products are manufactured against firm orders only. Minimum production quantities may apply.

	Ordering Code	Cable Laying Width - W (mm)	Cable Laying Depth (mm)	Length - L (mm)	Radius - R (mm)
300mm Radius	N1C1503	150	43	750	300
	N1C3003	300	43	900	300
	N1C4503	450	43	1050	300
	N1C6003	600	43	1200	300
	N1C9003	900	43	1500	300
450mm Radius	N1C1504	150	43	1050	450
	N1C3004	300	43	1200	450
	N1C4504	450	43	1350	450
	N1C6004	600	43	1500	450
	N1C9004	900	43	1800	450
600mm Radius	N1C1506	150	43	1350	600
	N1C3006	300	43	1500	600
	N1C4506	450	43	1650	600
	N1C6006	600	43	1800	600
	N1C9006	900	43	2100	600

## NEMA 1 CABLE LADDER STRAIGHT REDUCER



Length does not include built in splice plates. Splice plate length is 75mm.



### PRODUCT DETAILS

EzyStrut Nema 1 Steel Cable Ladder Straight Reducers are manufactured from strip steel to the following standards:

- Mild steel and Hot Dip Galvanised to AS/NZS1365, AS1594, AS/NZS4680, ISO1461
- Stainless Steel to AS1449/AS2837
- Meets the loading requirements of NEMA 12A Classification

4 x M8 HEX screws (HS820) supplied for installation.

### ORDERING DETAILS

Supplied individually

#### AVAILABLE FINISH

Hot Dip Galvanised  
Stainless Steel

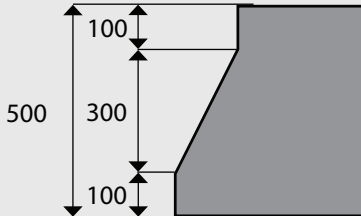
#### ORDERING CODE

N1SR...H  
N1SR...S

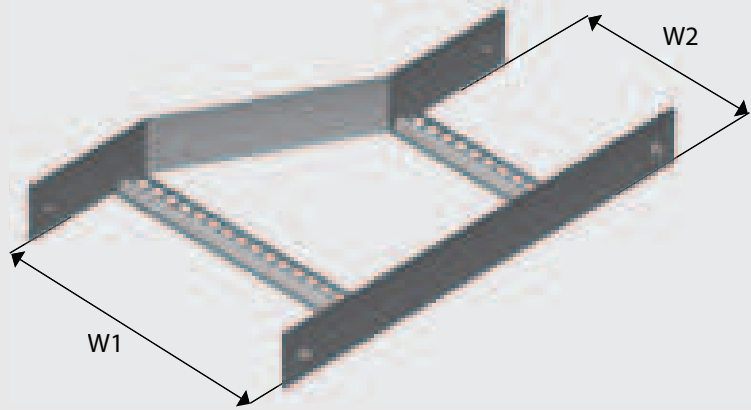
Stainless Steel products are manufactured against firm orders only. Minimum production quantities may apply.

Ordering Code	Cable Laying Depth (mm)	Width 1 - W1 (mm)	Width 2 - W2 (mm)
N1SR900600	43	900	600
N1SR900450	43	900	450
N1SR900300	43	900	300
N1SR900150	43	900	150
N1SR600450	43	600	450
N1SR600300	43	600	300
N1SR600150	43	600	150
N1SR450300	43	450	300
N1SR450150	43	450	150
N1SR300150	43	300	150

### NEMA 1 CABLE LADDER RIGHT HAND REDUCER



Length does not include built in splice plates. Splice plate length is 75mm.



#### PRODUCT DETAILS

EzyStrut Nema 1 Steel Cable Ladder Right Hand Reducers are manufactured from strip steel to the following standards:

- Mild steel and Hot Dip Galvanised to AS/NZS1365, AS1594, AS/NZS4680, ISO1461
- Stainless Steel to AS1449/AS2837
- Meets the loading requirements of NEMA 12A Classification

4 x M8 HEX screws (HS820) supplied for installation.

#### ORDERING DETAILS

Supplied individually

#### AVAILABLE FINISH

Hot Dip Galvanised  
Stainless Steel

#### ORDERING CODE

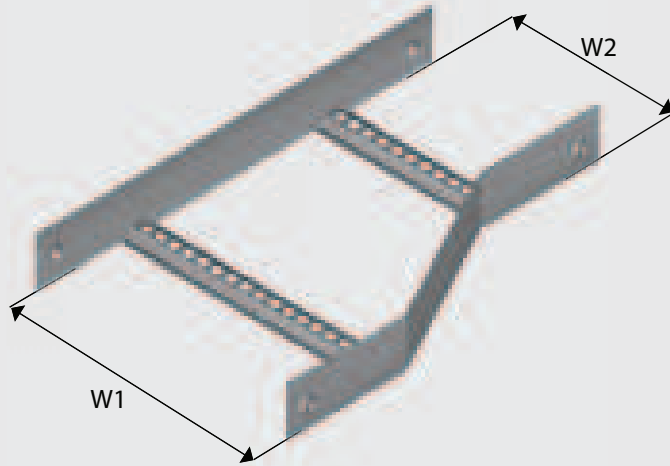
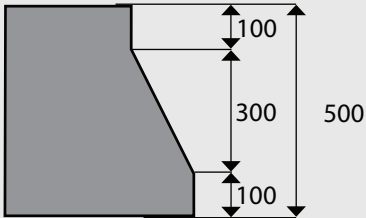
N1RHR...H  
N1RHR...S

Stainless Steel products are manufactured against firm orders only. Minimum production quantities may apply.

Ordering Code	Cable Laying Depth (mm)	Width 1 - W1 (mm)	Width 2 - W2 (mm)
N1RHR900600	43	900	600
N1RHR900450	43	900	450
N1RHR900300	43	900	300
N1RHR900150	43	900	150
N1RHR600450	43	600	450
N1RHR600300	43	600	300
N1RHR600150	43	600	150
N1RHR450300	43	450	300
N1RHR450150	43	450	150
N1RHR300150	43	300	150



**NEMA 1 CABLE LADDER LEFT HAND REDUCER**



Length does not include built in splice plates. Splice plate length is 75mm.

**PRODUCT DETAILS**

EzyStrut Nema 1 Steel Cable Ladder Left Hand Reducers are manufactured from strip steel to the following standards:

- Mild steel and Hot Dip Galvanised to AS/NZS1365, AS1594, AS/NZS4680, ISO1461
- Stainless Steel to AS1449/AS2837
- Meets the loading requirements of NEMA 12A Classification

4 x M8 HEX screws (HS820) supplied for installation.

**ORDERING DETAILS**

Supplied individually

**AVAILABLE FINISH**

Hot Dip Galvanised  
Stainless Steel

**ORDERING CODE**

N1LHR...H  
N1LHR...S

Stainless Steel products are manufactured against firm orders only. Minimum production quantities may apply.

Ordering Code	Cable Laying Depth (mm)	Width 1 - W1 (mm)	Width 2 - W2 (mm)
N1LHR900600	43	900	600
N1LHR900450	43	900	450
N1LHR900300	43	900	300
N1LHR900150	43	900	150
N1LHR600450	43	600	450
N1LHR600300	43	600	300
N1LHR600150	43	600	150
N1LHR450300	43	450	300
N1LHR450150	43	450	150
N1LHR300150	43	300	150