

## HOW TO ORDER SLOTTED CHANNEL

Example

# E1000S H



### Select Slotted Channel

- E1000S** 41x41 mm/2.5mm THK, Slotted
- E2000S** 41x41 mm/1.6mm THK, Slotted, Ribbed
- E3300S** 41x21 mm/2.5mm THK, Slotted
- E4000S** 41x21 mm/1.6mm THK, Slotted, Ribbed
- E5500S** 41x61 mm/2.5mm THK, Slotted

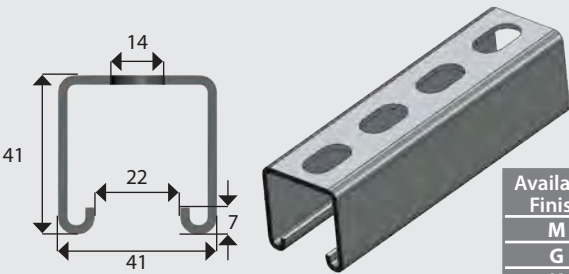
### Select Finish\*

- M** Mill Steel
- G** Pre-Galvanised
- H** Hot Dip Galvanised
- S** Stainless Steel
- A** Aluminium

\* Refer to each channel for available finishes and service guide.

^Max Load Notes: Loading is static and should be applied as a Uniformly Distributed Load. Published values are for plain channels, based on a simply supported beam.

## E1000S SLOTTED CHANNEL



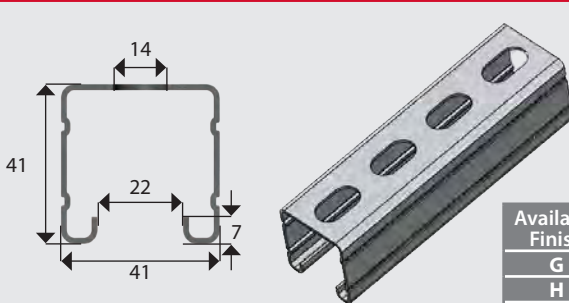
### HEAVY DUTY

- Supplied in 6m lengths
- 41x41 mm, 2.5mm THK
- 25 x 14mm slots are punched continuously at 37.5mm centres.

Available Finish	Weight	Part Number	Service Guide
M	14.7kg/6m	<b>E1000SM</b>	<b>C</b>
G	14.2kg/6m	<b>E1000SG</b>	<b>A</b>
H	15.6kg/6m	<b>E1000SH</b>	<b>A</b>
S	15kg/6m	<b>E1000SS</b>	<b>A</b>



## E2000S SLOTTED RIBBED CHANNEL



### MEDIUM DUTY

- Supplied in 6m lengths
- 41x41 mm, 1.6mm THK
- 25 x 14mm slots are punched continuously at 37.5mm centres.

Available Finish	Weight	Part Number	Service Guide
G	10.2kg/6m	<b>E2000SG</b>	<b>A</b>
H	10.8kg/6m	<b>E2000SH</b>	<b>B</b>
A	3.5kg/6m	<b>E2000SA</b>	<b>C</b>



**Service Guide Key:** **A** Usually in stock at all branches **B** Usually in stock at head office **C** Normal lead time **D** Made to Order (lead time on enquiry)

FASTENERS

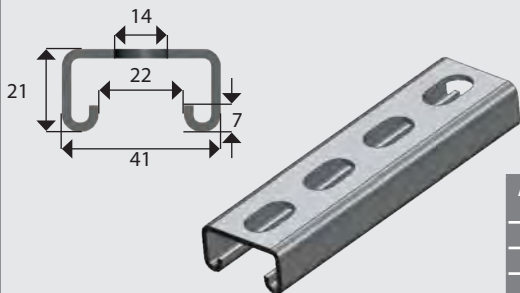
STRUT SYSTEMS

CABLE SUPPORTS

FIRERATED

PIPE SUPPORTS

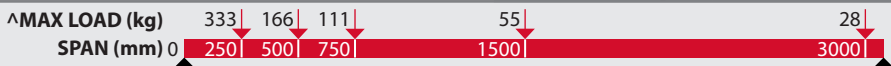
## E3300S SLOTTED CHANNEL



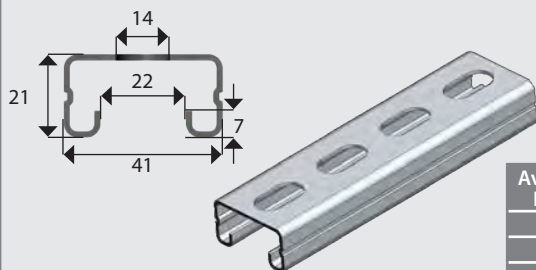
### MEDIUM DUTY

- Supplied in 6m lengths
- 41x21mm, 2.5mm THK
- 25 x 14mm slots are punched continuously at 37.5m centres.

Available Finish	Weight	Part Number	Service Guide
M	10kg/6m	<b>E3300SM</b>	C
G	9.7kg/6m	<b>E3300SG</b>	A
H	10.7kg/6m	<b>E3300SH</b>	A
S	10.3kg/6m	<b>E3300SS</b>	A



## E4000S SLOTTED RIBBED CHANNEL



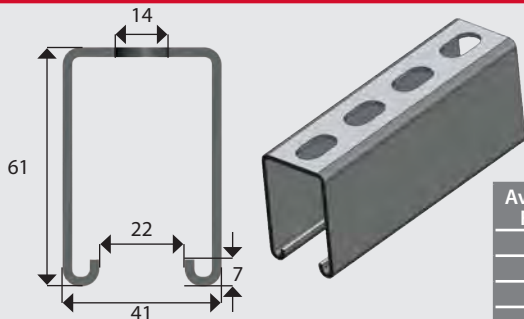
### LIGHT DUTY

- Supplied in 6m lengths
- 41x21mm, 1.6mm THK
- 25 x 14mm slots are punched continuously at 37.5mm centres.

Available Finish	Weight	Part Number	Service Guide
M	7.1kg/6m	<b>E4000SM</b>	C
G	7.1kg/6m	<b>E4000SG</b>	A
H	7.5kg/6m	<b>E4000SH</b>	B
A	2.5kg/6m	<b>E4000SA</b>	C



## E5500S SLOTTED CHANNEL



### VERY HEAVY DUTY

- Supplied in 6m lengths
- 41x61mm, 2.5mm THK
- 25 x 14mm slots are punched continuously at 37.5mm centres.

Available Finish	Weight	Part Number	Service Guide
M	19.5kg/6m	<b>E5500SM</b>	C
G	18.8kg/6m	<b>E5500SG</b>	A
H	20.7kg/6m	<b>E5500SH</b>	A
S	20kg/6m	<b>E5500SS</b>	C



FASTENERS

STRUT SYSTEMS

CABLE SUPPORTS

FIRERATED

PIPE SUPPORTS