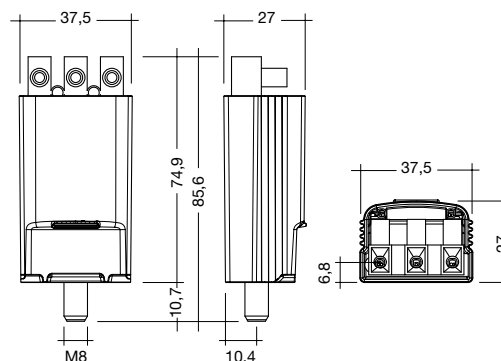


Standard superimposed-pulse ignitors

Type ZRM ES/C (230 V) 35 W – 400 W

ZRM ES/C standard superimposed-pulse ignitors without a timer are impressively robust and reliable. This product range is characterised by excellent machining quality, premium electronic components and small dimensions. Their application area covers metal halide lamps with wattages from 35 W to 400 W and sodium vapour lamps with wattages from 70 W to 400 W.



Superimposed-pulse ignitors - 230-V-Model

Type	ZRM 2-ES/C	ZRM 2.5-ES/C	ZRM 4.5-ES/C
Article number	87500080	87500081	87500082
Permitted input voltage (V)	198 – 264	198 – 264	198 – 264
Mains frequency (Hz)	50 – 60	50 – 60	50 – 60
Ignition voltage (kV _p)	1.8 – 2.5	4.0 – 5.0	4.0 – 5.0
Max. permitted lamp current I _B (A)	2.0	3.0	4.6
Output of sodium vapour lamp (W)	35 – 70	100 – 250*	100 – 400
Output of metal halide lamp (W)	70**	35 – 250	35 – 400
Self-heating (approximate) at I _B = 0.54 A (35 W) (K)	0.2	0.1	0.1
I _B = 1.0 A (70 W) (K)	2.5	2.5	1.0
I _B = 1.2 A (100 W) (K)	–	4.0	2.0
I _B = 1.8 A (150 W) (K)	–	9.5	6.5
I _B = 3.0 A (250 W) (K)	–	27.0	14.0
I _B = 4.6 A (400 W) (K)	–	–	33.5
Losses in W			
I _B = 0.54 A (35 W) (W)	0.05	0.06	0.03
I _B = 1.0 A (70 W) (W)	0.20	0.21	0.11
I _B = 1.2 A (100 W) (W)	–	0.31	0.15
I _B = 1.8 A (150 W) (W)	–	0.72	0.35
I _B = 3.0 A (150 W) (W)	–	2.10	1.0
I _B = 4.6 A (400 W) (W)	–	–	2.5
Switch off/on voltage (V)	160 – 198	185 – 198	185 – 198
Permitted load capacitance (pF)	20 – 300	20 – 100	20 – 100
Max. cable length to lamp (m)	4	1.5	1.5
Max. permitted housing temperature t _c (°C)	105	105	105
Min. permitted ambient temperature t _a (°C)	-30	-30	-30
Weight (kg)	0.13	0.13	0.13

* suitable for HST-DE 70 W sodium vapour lamps

** for 70 W metal halide lamps with an ignition voltage < 2.5 kV_p