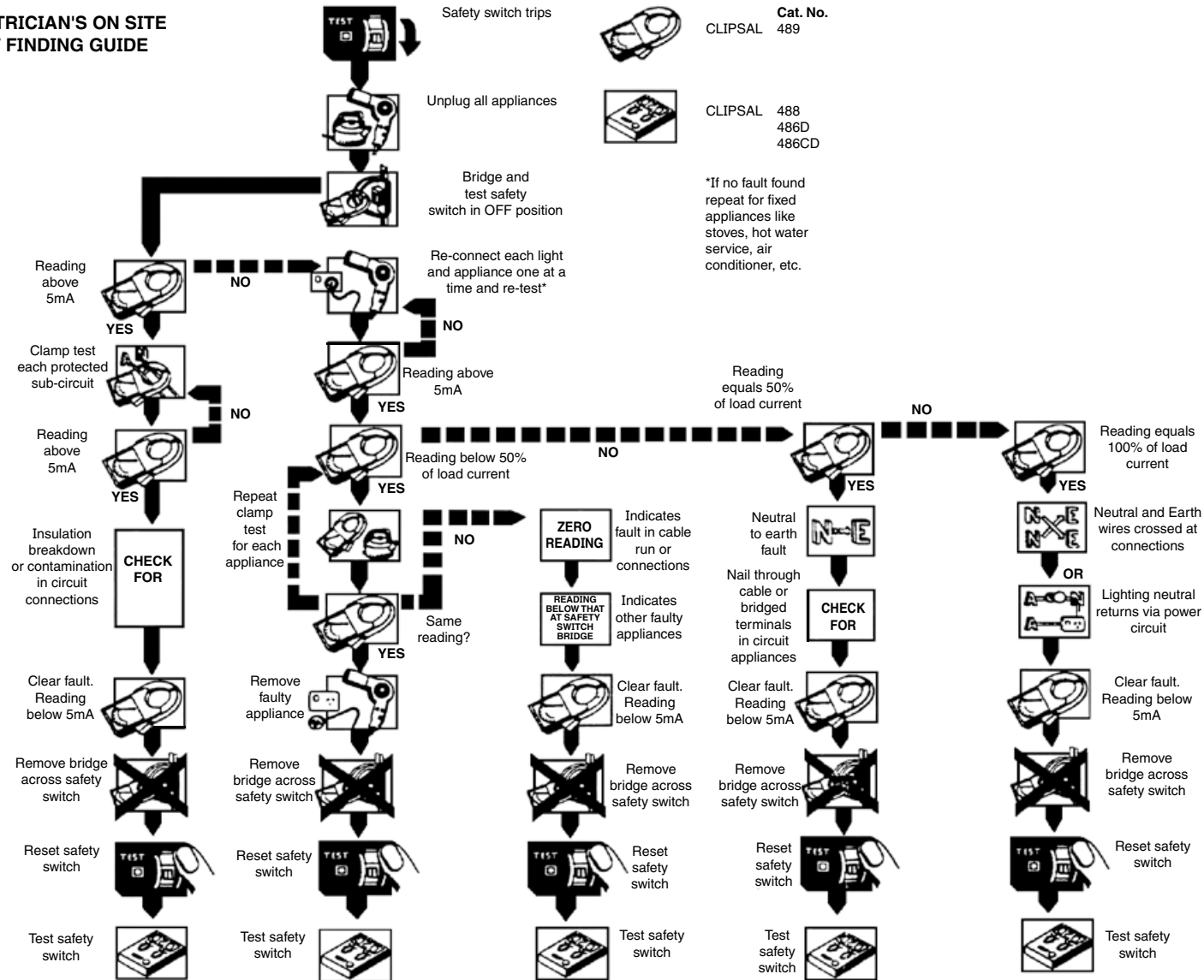


**ELECTRICIAN'S ON SITE  
FAULT FINDING GUIDE**



**Warranty**

- The benefits conferred herein are in addition to, and in no way shall be deemed to derogate; either expressly or by implication, any or all other rights and remedies in respect to this Clipsal product, which the consumer has under the Trade Practices Act or any other similar State or Territory Laws.
- The Warrantor is Clipsal Australia Pty Ltd of 33 - 37 Port Wakefield Road, Gepps Cross, South Australia 5094.  
  
Contact your state branch on 1300 2025 25.
- This product range is guaranteed against faulty workmanship and materials for a period of two (2) years from the date of installation.
- Clipsal Australia Pty Ltd reserves the right to determine whether to repair or replace any faulty product free of charge for parts and labour or to give a refund in respect of the faulty product.
- This warranty is expressly subject to the device being installed, wired, tested, operated and used in accordance with the manufacturer's instructions.
- Should the product, the subject of the claim, be found to be in good working order all costs of the claim shall be met by the consumer.
- When making a claim the consumer shall forward the device to the nearest office of Clipsal Australia Pty Ltd together with adequate particulars of the defect within 28 days after the appearance of the defect.

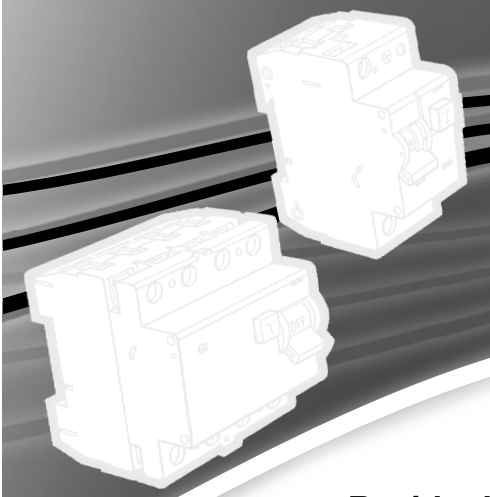
**Clipsal Australia Pty Ltd**  
A member of Schneider Electric  
[clipsal.com](http://clipsal.com)

Contact us: [clipsal.com/feedback](http://clipsal.com/feedback)

National Customer Care Enquiries:  
**Tel 1300 2025 25**  
**Fax 1300 2025 56**

Clipsal Australia Pty Ltd reserves the right to change specifications, modify designs and discontinue items without incurring obligation and whilst every effort is made to ensure that descriptions, specifications and other information in this catalogue are correct, no warranty is given in respect thereof and the company shall not be liable for any error therein.

© Clipsal Australia Pty Ltd.  
The identified trademarks and copyrights are the property of Clipsal Australia Pty Ltd unless otherwise noted.



**Residual  
Current Devices,  
Combination Residual  
Current Devices and  
Miniature Circuit Breakers**

**4RC Series  
4RCBM Series  
4RCBE Series**

## Typical Installation Diagrams and Instructions

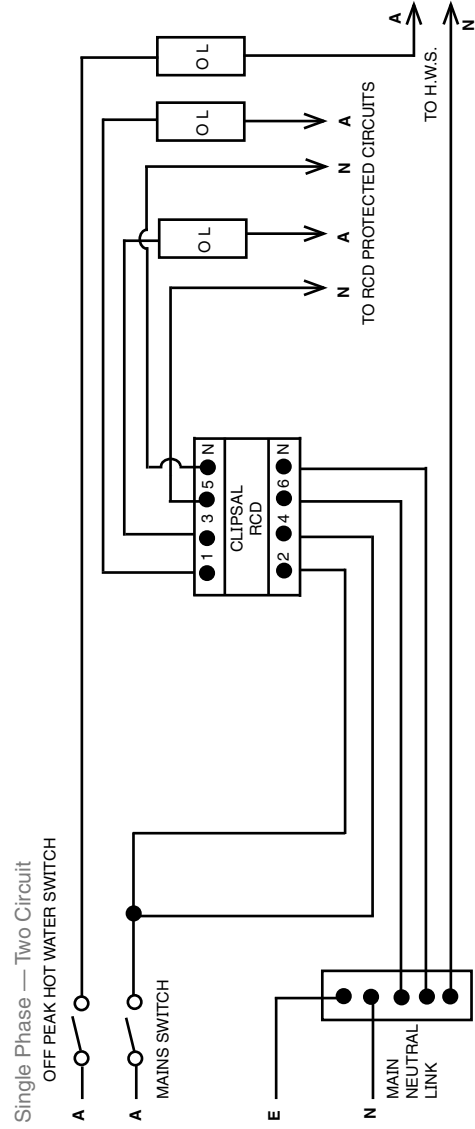
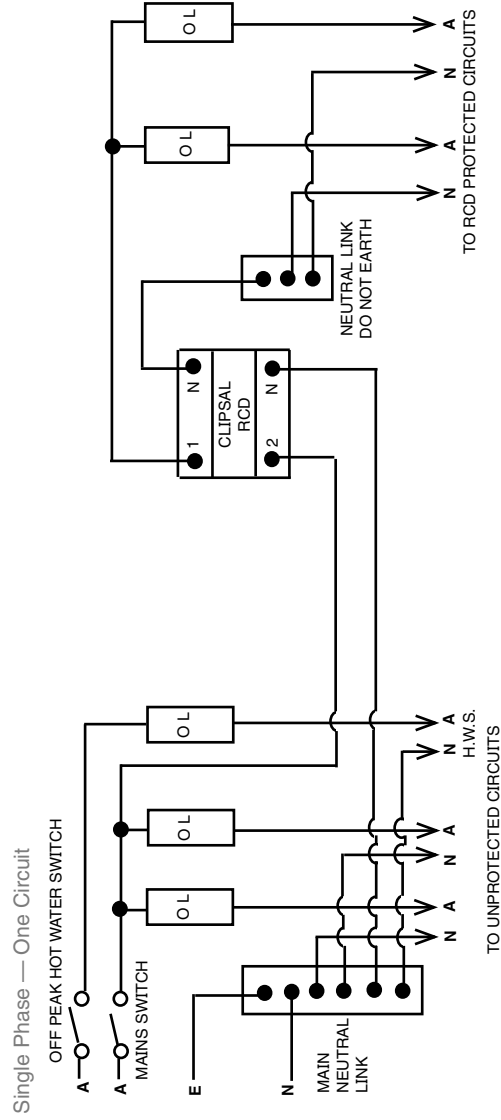
Please read carefully.

- Total current of protected circuits shall not exceed maximum current of the RCD.
- Ensure "Main Earth" and "Main Neutral" are in perfect condition.
- Maximum admissible backup fuse as protection against short circuits for 4RC Series.

RCD CURRENT RATING UP TO 40A	FAULT LEVEL 63A	BACK UP FUSE gL UP TO 40A
63A	6kA	63A
80A	10kA	80A
100A	10kA	100A

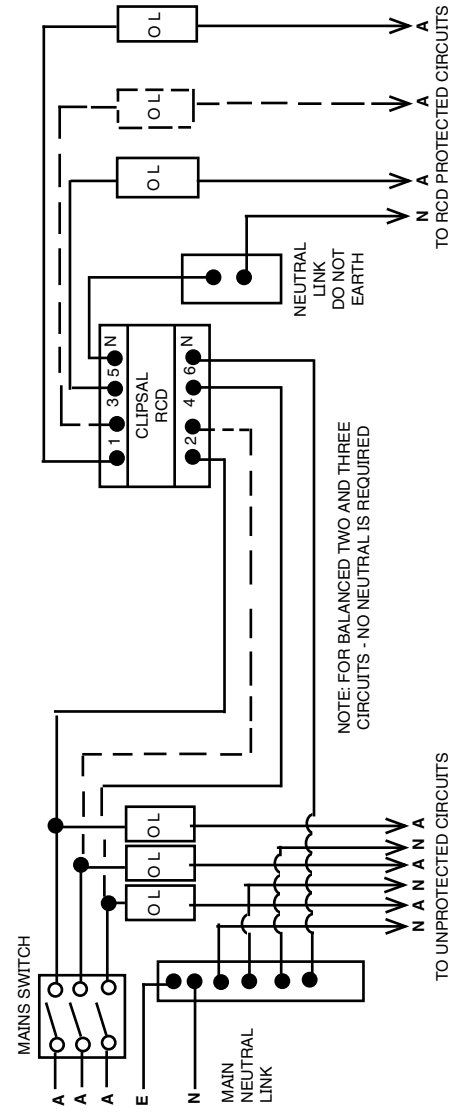
### Clipsal 4RC Series Residual Current Device Wiring Diagrams

RCD may be mounted in any position. LOAD and LINE circuits may be connected top or bottom. Maximum size cable accommodated: 25mm<sup>2</sup> up to 80A and 35mm<sup>2</sup> up to 100A. OL - Overload Protection; Fuse or MCB.



Where four pole devices are used as two pole devices connect Active and Neutral conductors, as shown on wiring diagram on the RCD, for test button to operate.

### Three Phase Or Two Phase 120° Circuits / Socket Outlets



### Clipsal 4RCBM and 4RCBE Series Combined MCB/RCD Wiring Diagram

