

Catalogue No: **222-413**

## SPLICING CONNECTOR 2.5mm 32A 3P BOX OF 50

Termination and Wiring Systems > Terminals and Pre-Wired Cables > Terminals - Screwless > WAGO Screwless Terminals > Series 222 - Splicing Connectors > Connecting Terminal

**NHP**



Representative Photo Only  
(actual product may vary based on configuration selections)

### 2.5mm<sup>2</sup> Splicing Connectors, 3 Conductor, 32A, Box of 50

- Self-contained cage clamp assembly allows for quick and easy wire termination while ensuring contact quality
- Cage clamp terminals developed to suit a wide range of wire cross sections from 0.08 – 35mm<sup>2</sup>
- Alternate or staggered jumpers made in the field by simply breaking and removing jumper contacts
- Wide variety of terminal sizes and configurations including multiple conductors and decks, earth, sensor, high-current, fused and disconnect terminals
- Modular PCB terminal strips with cage clamp connection in various sizes and pin-spacing to suit any PCB solution
- Multi-connection system and WINSTA plugs and sockets suitable for lighting, power, and control connections
- Full range of accessories to complement any wire-termination solution

#### SPECIFICATIONS

Product Series	222
Component Type Termination Wiring	Connector
Number of Conductors	3 qty
Number of Potentials	1
Connection / Termination	Cage Clamp Terminal(s)
Colour, Body / Housing	Grey colour
Conductor Entry Position	Front
Conductor Entry Angle	Horizontal
Wire / Conductor Size, Rigid Cable, Min	0.08 mm <sup>2</sup> min
Wire / Conductor Size, Rigid Cable, Max	2.5 mm <sup>2</sup> max
Wire / Conductor Size, Flex Cable, Min	0.08 mm <sup>2</sup> min
Wire / Conductor Size, Flex Cable, Max	2.5 mm <sup>2</sup> max
Wire Strip Length, Min	9 mm
Wire Strip Length, Max	10 mm
In, Rated Current	32 A
Un, Nominal Voltage	400 V
Pollution Degree	2
Fire Load	0.088 MJ
IECEX Certified	No
Height	14.5 mm
Width	17 mm
Depth	20.5 mm
Weight	0.0043 kg
Standards Compliance	AS/NZS IEC 60998.1 AS/NZS IEC 60998.2.2

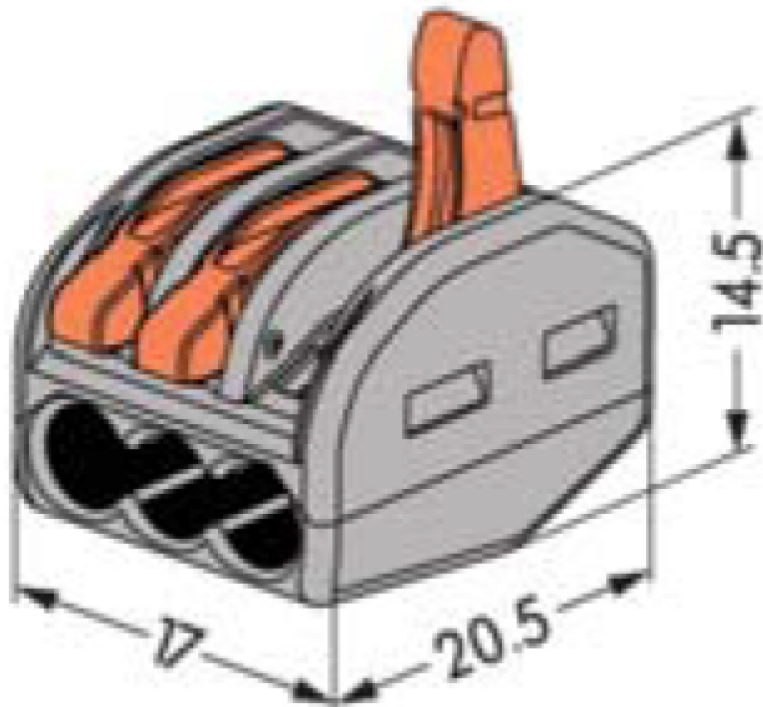
Catalogue No: **222-413**

**SPLICING CONNECTOR 2.5mm 32A 3P BOX OF 50**

Termination and Wiring Systems > Terminals and Pre-Wired Cables > Terminals - Screwless > WAGO Screwless Terminals > Series 222 - Splicing Connectors > Connecting Terminal



REFERENCES	
IECEX Certificate	-
Supplier Declaration of Conformity:	-
Installation Guide:	-
User Manual:	-
Manufacturer Datasheet:	-
Manufacturer Catalogue & Product Selection:	-

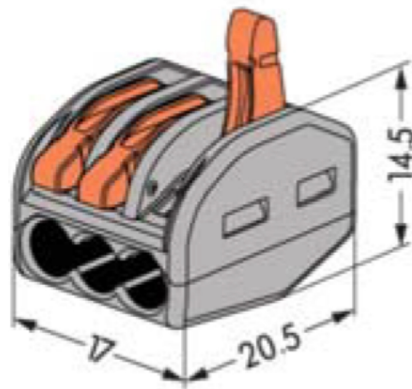


Dimension Diagram

Catalogue No: **222-413**

**SPLICING CONNECTOR 2.5mm 32A 3P BOX OF 50**

Termination and Wiring Systems > Terminals and Pre-Wired Cables > Terminals - Screwless > WAGO Screwless Terminals > Series 222 - Splicing Connectors > Connecting Terminal



Technical Diagram