

Catalogue No: **FAA-08-D-W24**

TIMER 8 PIN ON DELAY 12-240VACDC SUPPLY 2 C/O 0.05S-300H

Timers and Control Relays > Timers, Time Switches and Counters > Time Delay Relays > Carlo Gavazzi Time Delay Relays > ON Delay Relays > Plug-in



Time delay relay, on delay, 12 - 240V AC/DC, 2 C/O, Panel mount

- Multitude of timing functions available from the entire Carlo Gavazzi range (On Delay, Interval, Off Delay, One Shot, Star-Delta, and Recycler) for practically every application.
- Available in either DIN or Panel mount to suit your preference.
- Variety of relay output types (SPDT, DPDT) and adjustable timing ranges available, dependent on your switching requirements.
- International certifications and wide install base ensuring delivery of a quality tested product.

Representative Photo Only
(actual product may vary based on configuration selections)

SPECIFICATIONS

Timing Function	ON Delay
Time Range(s)	50ms ... 3s 500ms ... 30s 5 ... 300s 30s ... 30min 30min ... 30h 5 ... 300min 5 ... 300h
Power Consumption	4 / 1.5 VA/W
Nominal Frequency	45-65 Hz
Umin, Supply Voltage, DC, Min	12 V DC
Umax, Supply Voltage, DC, Max	240 V DC
Umin, Supply Voltage, AC, Min	12 V AC
Umax, Supply Voltage, AC, Max	240 V AC
Contact Ratings DC12 at 24 V DC	5 A
Contact Ratings DC 13 at 24 V DC	2.5 A
Contact Ratings AC 15 at 250 V AC	2.5
Contact Ratings AC 1 at 250 V AC	8 A
Contact Configuration	2 CO
Housing	48x48mm Panel
Mounting	Panel Mount
Time Setting Accuracy	≤ 5 % %
Height	48 mm
Width	48 mm
Depth	85 mm



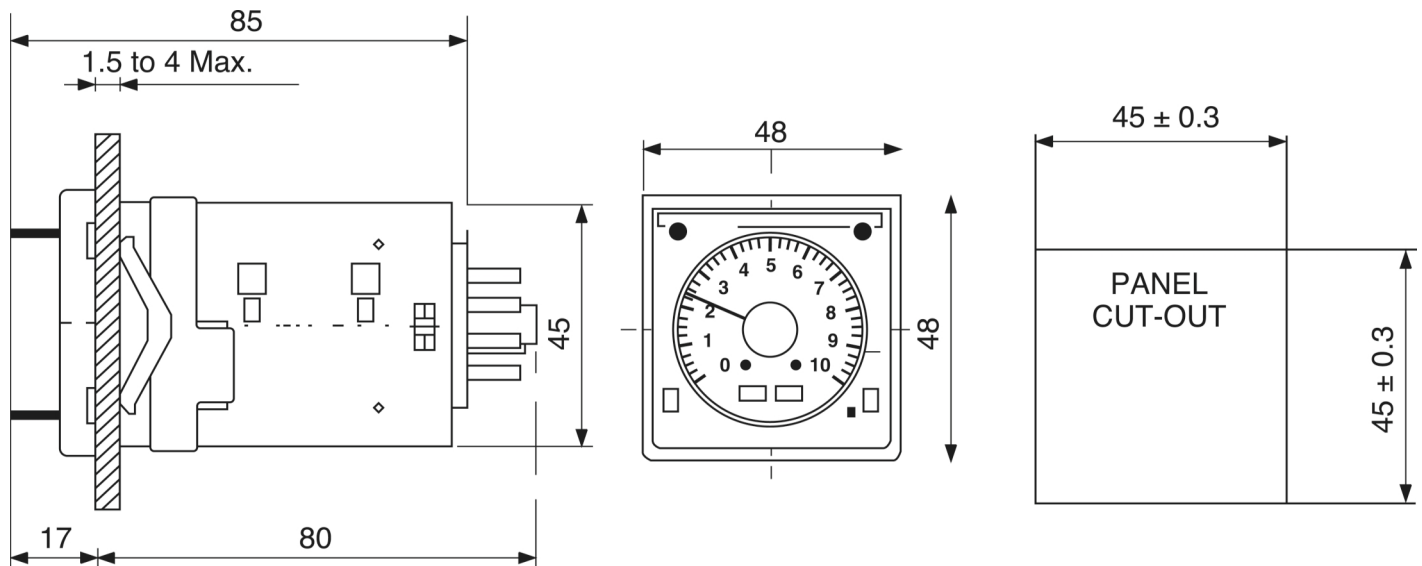
Catalogue No: **FAA-08-D-W24**

TIMER 8 PIN ON DELAY 12-240VACDC SUPPLY 2 C/O 0.05S-300H

Timers and Control Relays > Timers, Time Switches and Counters > Time Delay Relays > Carlo Gavazzi Time Delay Relays > ON Delay Relays > Plug-in

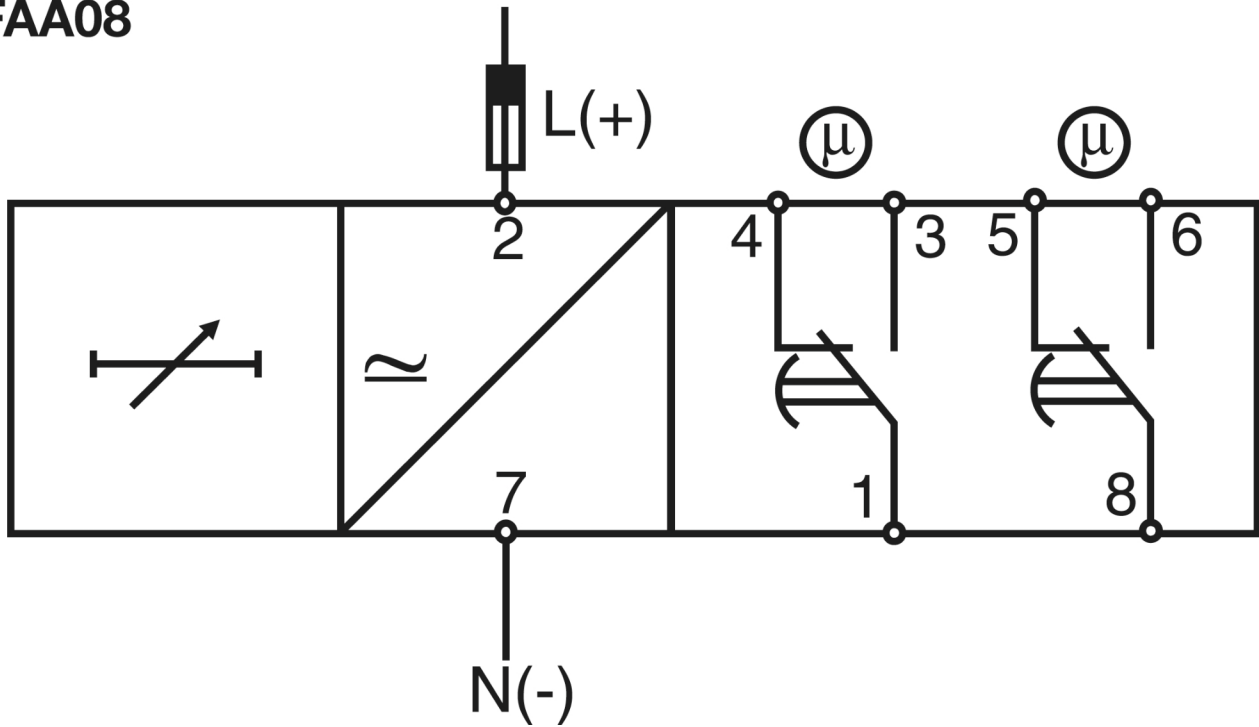


REFERENCES	
IECEX Certificate	-
Supplier Declaration of Conformity:	-
Installation Guide:	-
User Manual:	-
Manufacturer Datasheet:	FAA08DW24_ManufacturerDatasheet
Manufacturer Catalogue & Product Selection:	-



Dimension Diagram

FAA08



Connection / Wiring Diagram