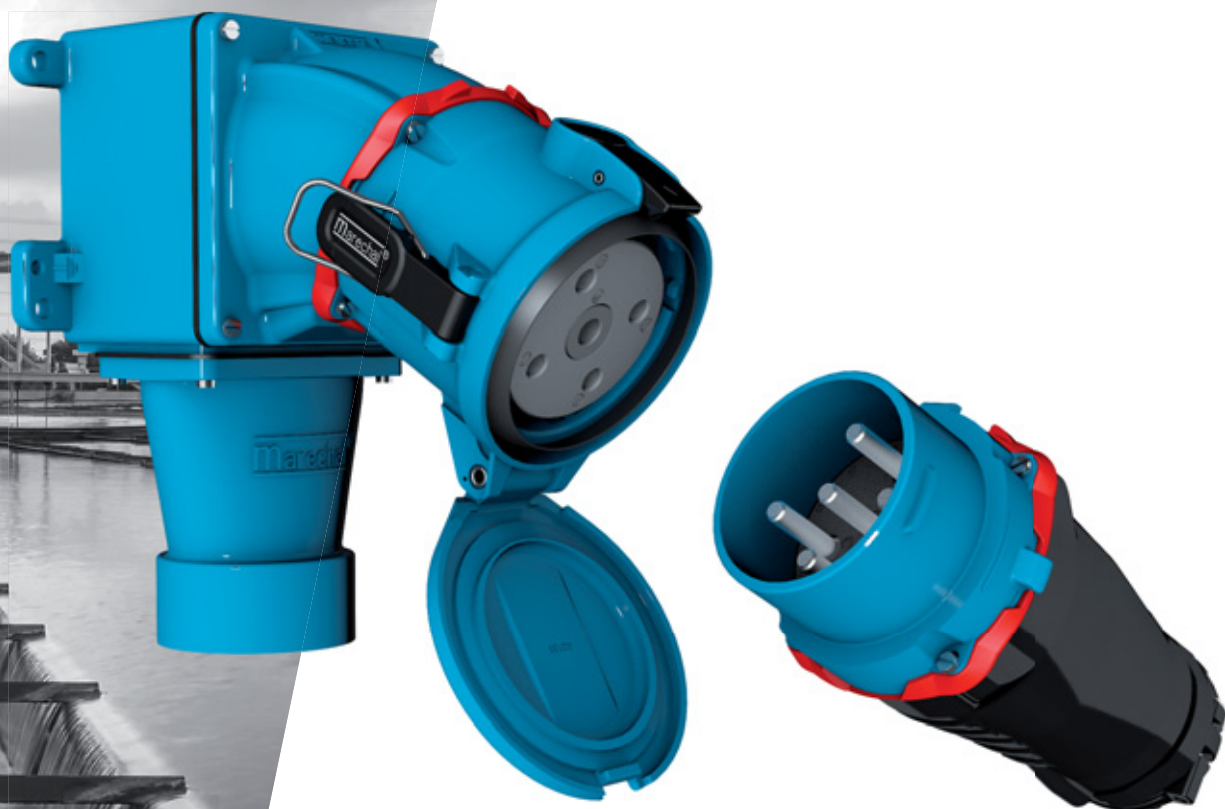


# DS



## DECONTACTOR™ FOR INDUSTRY



**30 A/50 A/90 A/150 A/250 A/ 400 A**

- ▶ Automatic IP54/55
- ▶ Optional IP66 from 90 A
- ▶ Integrated load break switch: AC-22 and AC-23 breaking capacity
- ▶ Chemical resistant GRP UL 94 casing up to 150 A
- ▶ Metal casing (IK09) from 90 A to 400 A with epoxy paint

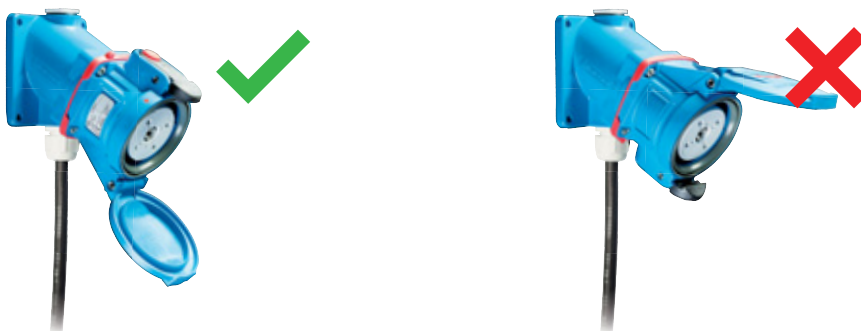
## TECHNICAL FEATURES

Plugs and sockets with integral load-break switching capability complying with IEC/EN 60309-1 and IEC/EN 60309-4 standards

	DS1	DS3	DS6	DS9	DS2	DS4
Rated current (In)	30 A	50 A	90 A	150 A	250 A	400 A
U <sub>max</sub>	690 V	1 000 V	1 000 V	1 000 V	1 000 V	1 000 V
Power kW AC-22/AC-23	15 kW	30 kW	45 kW	80 kW	100 kW <sup>(1)</sup>	
AC-22 switching capability	16 A/690 V	32 A/690 V	63 A/690 V	150 A/400 V	250 A/400 V	
AC-23 switching capability	30 A/400 V	50 A/400 V	90 A/400 V	100 A/440 V	160 A/440 V	
Auxiliary contacts (optional)	2	4	4	6	6	
Keying positions	24	24	24	24	12	12
Ambient temperature	<<< -40°C to +60°C >>>					
Short-circuit current I <sub>cc</sub>	<<< 10 kA >>>					

(1) 200 A 440 V

## MOUNTING: LOAD BREAK RELEASE BUTTON SHOULD BE AT THE TOP



### DS DECONTACTOR™ complies with:

- IEC/EN 60309-1 & IEC/EN 60309-4 European and International standards (plugs and socket-outlets for industrial purposes),
- The European Low Voltage Directive 2014/35/EU, conformity with the CE marking,
- The European 'Machine Directive' 2006/42/CE regarding equipment isolation,
- The French NF C 15-100 standard,
- The French decree dated 20 December 2011 pertaining to the wiring and operating conditions of movable electrical apparatuses,
- The decrees relating to workers' protection in Belgium, Spain and Italy,
- The switch utilization categories AC-22 A and AC-23 A described in IEC/EN 60947-3.
- The UL 1682 and 2682 (USA) and CSA C22.2 N° 182.1-07 (Canada) standards for plugs and socket-outlets.

Also certified by UL, TR CU (GOST), CCC and cCSAus (French, American, German, Russian, Chinese and Canadian inspection laboratories).



▶ 180° opening lid as standard

### WALL MOUNTING SOCKET DS1



Wall box poly 30°  
512B3M20



Socket-outlet  
3114017

### PLUG DS1



Straight handle poly  
512P0D21



Inlet  
3118017

## MAIN FEATURES

Rated current (with wiring according to standard)	30 A	Ambient temperature	-40 °C to +60 °C
Maximum voltage	690 V	Flexible wiring (min-max)	2,5-6 mm <sup>2</sup>
IP protection lid closed	IP55	Stranded wiring (min-max)	2,5-10 mm <sup>2</sup>
IP protection plug connected	IP54	Other wiring	on request
Shock resistance	IK08	Keying positions	24

### Load-break capability of the DECONTACTOR™

Comply with IEC/EN 60309-1 and IEC/EN 60309-4 standards	30 A/690 V
Load-break capability according to IEC/EN 60947-3/AC-22 A	(30 A/500 V) or (16 A/690 V)
Load-break capability according to IEC/EN 60947-3/AC-23 A	30 A/400 V
Short-circuit current I <sub>cc</sub>	10 kA
Power kW AC-22/AC-23	15 kW

### SOCKET-OUTLET female DS1 (30 A)



### INLET male DS1 (30 A)



Dual-voltage socket-outlet (see p. 7)

20-24 V AC	2P	311408A	311808A
220-250 V AC	1P+N+E	3114015	3118015
380-440 V AC	3P+E	3114013	3118013
220-250 V AC 380-440 V AC	3P+N+E	3114017	3118017
660-690 V AC	3P+E	3114193	3118193
380-400 V AC 660-690 V AC	3P+N+E	3114197	3118197
Up to 500 V AC - Auxiliaries 30 A	+ 2 contacts	Ref. + 972	Ref. + 972

▶ Other voltages, frequencies and contact configurations are available (see page 10).



For a black colour GRP housing replace the second reference character 1 with 5.

## INFO+

### OPTIONS AND ACCESSORIES

Find the boxes, sleeves and handles at the end of the section page 45.





▶ 180° opening lid as standard

### WALL MOUNTING SOCKET DS3



Wall box poly 30°  
513B3M25



Socket-outlet  
3134017

### PLUG DS3



Straight handle poly  
513P0D30



Inlet  
3138017

## MAIN FEATURES

Rated current (with wiring according to standard)	50 A	Ambient temperature	-40 °C to +60 °C
Maximum voltage	1 000 V	Flexible wiring (min-max)	6-16 mm <sup>2</sup>
IP protection lid closed	IP55	Stranded wiring (min-max)	10-25 mm <sup>2</sup>
IP protection plug connected	IP54	Other wiring	on request
Shock resistance	IK08	Keying positions	24

### Load-break capability of the DECONTACTOR™

Comply with IEC/EN 60309-1 and IEC/EN 60309-4 standards	(50 A/690 V) or (45 A/1 000 V)
Load-break capability according to IEC/EN 60947-3/AC-22 A	32 A/690 V
Load-break capability according to IEC/EN 60947-3/AC-23 A	50 A/400 V
Short-circuit current I <sub>cc</sub>	10 kA
Power kW AC-22/AC-23	30 kW

### SOCKET-OUTLET female DS3 (50 A)



### INLET male DS3 (50 A)



Dual-voltage socket-outlet (see p. 7)

20-24 V AC	2P	313408A	313808A
220-250 V AC	1P+N+E	3134015	3138015
380-440 V AC	3P+E	3134013	3138013
220-250 V AC / 380-440 V AC	3P+N+E	3134017	3138017
660-690 V AC	3P+E	3134193	3138193
380-400 V AC / 660-690 V AC	3P+N+E	3134197	3138197
1 000 V AC	3P+E	3134223	3138223
Auxiliaries 16 A/400 V AC	+ 2 contacts	Ref. + 972	Ref. + 972
Auxiliaries 16 A/400 V AC	+ 4 contacts	Ref. + 264	Ref. + 264

▶ Other voltages, frequencies and contact configurations are available (see page 10).



For a black colour GRP housing replace the second reference character 1 with 5.

## INFO+

### OPTIONS AND ACCESSORIES

Find the boxes, sleeves and handles at the end of the section page 45.





▶ 180° opening lid as standard

### WALL MOUNTING SOCKET DS6



Wall box poly 30°  
514B3M32



Socket-outlet  
3164017

### PLUG DS6



Straight handle poly  
514P0D35



Inlet  
3168017

## MAIN FEATURES

Rated current (with wiring according to standard)	90 A	Ambient temperature	-40 °C to +60 °C
Maximum voltage	1 000 V	Flexible wiring (min-max)	10-25 mm <sup>2</sup>
IP protection lid closed	IP55	Stranded wiring (min-max)	10-35 mm <sup>2</sup>
IP protection plug connected	IP54	Other wiring	on request
Shock resistance (poly casing)	IK08	Keying positions	24

### Load-break capability of the DECONTACTOR™

Comply with IEC/EN 60309-1 and IEC/EN 60309-4 standards	(90 A/690 V) or (63 A/1 000 V)
Load-break capability according to IEC/EN 60947-3/AC-22 A	63 A/690 V
Load-break capability according to IEC/EN 60947-3/AC-23 A	90 A/400 V
Short-circuit current I <sub>cc</sub>	10 kA
Power kW AC-22/AC-23	45 kW

### SOCKET-OUTLET female DS6 (90 A)



### INLET male DS6 (90 A)



Dual-voltage socket-outlet (see p. 7)

220-250 V AC	1P+N+E	3164015	3168015
380-440 V AC	3P+E	3164013	3168013
220-250 V AC 380-440 V AC	3P+N+E	3164017	3168017
660-690 V AC	3P+E	3164193	3168193
380-400 V AC 660-690 V AC	3P+N+E	3164197	3168197
1 000 V AC	3P+E	3164223	3168223
Auxiliaries 5 A/500 V AC	+ 2 contacts	Ref. + 972	Ref. + 972
Auxiliaries 5 A/500 V AC	+ 4 contacts	Ref. + 264	Ref. + 264
For IP66/IP67		Ref. + 600	Ref. + 600

▶ Other voltages, frequencies and contact configurations are available (see page 10).



For a black colour GRP housing replace the second reference character 1 with 5.

### INFO+

## OPTIONS AND ACCESSORIES

Find the boxes, sleeves and handles at the end of the section page 45.





### WALL MOUNTING SOCKET DS6



Wall box metal 30°  
594B2M25



Socket-outlet  
3964017

### PLUG DS6



Straight handle poly  
514POD35



Inlet  
3968017

## MAIN FEATURES

Rated current (with wiring according to standard)	90 A	Ambient temperature	-40 °C to +60 °C
Maximum voltage	1 000 V	Flexible wiring (min-max)	10-25 mm <sup>2</sup>
IP protection lid closed	IP55	Stranded wiring (min-max)	10-35 mm <sup>2</sup>
IP protection plug connected	IP54	Other wiring	on request
Shock resistance (metal casing)	IK09	Keying positions	24

### Load-break capability of the DECONTACTOR™

Comply with IEC/EN 60309-1 and IEC/EN 60309-4 standards	(90 A/690 V) or (63 A/1 000 V)
Load-break capability according to IEC/EN 60947-3/AC-22 A	63 A/690 V
Load-break capability according to IEC/EN 60947-3/AC-23 A	90 A/400 V
Short-circuit current I <sub>cc</sub>	10 kA
Power kW AC-22/AC-23	45 kW



GRP devices are not compatible with metal devices.

Dual-voltage socket-outlet (see p. 7)

### SOCKET-OUTLET female DS6 (90 A)



### INLET male DS6 (90 A)



220-250 V AC	1P+N+E	3964015	3968015
380-440 V AC	3P+E	3964013	3968013
220-250 V AC / 380-440 V AC	3P+N+E	3964017	3968017
660-690 V AC	3P+E	3964193	3968193
380-400 V AC / 660-690 V AC	3P+N+E	3964197	3968197
1 000 V AC	3P+E	3964223	3968223
Auxiliaries 5 A/500 V AC	+ 2 contacts	Ref. + 972	Ref. + 972
Auxiliaries 5 A/500 V AC	+ 4 contacts	Ref. + 264	Ref. + 264
For IP66/IP67		Ref. + 600	Ref. + 600

► Other voltages, frequencies and contact configurations are available (see page 10).

## INFO+

### OPTIONS AND ACCESSORIES

Find the boxes, sleeves and handles at the end of the section page 45.





► 180° opening lid as standard

### WALL MOUNTING SOCKET DS9



Wall box metal 30°  
595E3M50



Socket-outlet  
3194017

### PLUG DS9



Straight elastomer  
555P0D35



Inlet  
3198017

## MAIN FEATURES

Rated current (with wiring according to standard)	150 A	Ambient temperature	-40 °C to +60 °C
Maximum voltage	1 000 V	Flexible wiring (min-max)	25-70 mm <sup>2</sup>
IP protection lid closed	IP66/IP67/IP69	Stranded wiring (min-max)	25-95 mm <sup>2</sup>
IP protection plug connected	IP66/IP67/IP69	Keying positions	24
Shock resistance (poly casing)	IK08		

### Load-break capability of the DECONTACTOR™

Comply with IEC/EN 60309-1 and IEC/EN 60309-4 standards	(150 A/500 V) or (150 A/690 V)
Load-break capability according to IEC/EN 60947-3/AC-22 A	(90 A/690 V) or (150 A/400 V)
Load-break capability according to IEC/EN 60947-3/AC-23 A	100 A/440 V
Short-circuit current I <sub>cc</sub>	10 kA
Power kW AC-22/AC-23	80 kW

### SOCKET-OUTLET female DS9 (150 A)



### INLET male DS9 (150 A)



Dual-voltage socket-outlet (see p. 7)

220-250 V AC	1P+N+E	3194015	3198015
380-440 V AC	3P+E	3194013	3198013
220-250 V AC / 380-440 V AC	3P+N+E	3194017	3198017
660-690 V AC	3P+E	3194193	3198193
380-400 V AC / 660-690 V AC	3P+N+E	3194197	3198197
1 000 V AC	3P+E	3194223	3198223
Auxiliaries 10 A/400 V AC	+ 2 contacts	Ref. + 262	Ref. + 262
Auxiliaries 10 A/400 V AC	+ 4 contacts	Ref. + 264	Ref. + 264
Auxiliaries 10 A/400 V AC	+ 6 contacts	Ref. + 976	Ref. + 976

► Other voltages, frequencies and contact configurations are available (see page 10).



For a black colour GRP housing replace the second reference character 1 with 5.

### INFO+

## OPTIONS AND ACCESSORIES

Find the boxes, sleeves and handles at the end of the section page 45.





**WALL MOUNTING SOCKET DS9**



Wall box metal 70°  
595C7M40



Socket-outlet  
3994017

**PLUG DS9**



Straight elastomer  
555P0D35



Inlet  
3998017

### MAIN FEATURES

Rated current (with wiring according to standard)	150 A	Ambient temperature	-40 °C to +60 °C
Maximum voltage	1 000 V	Flexible wiring (min-max)	25-70 mm <sup>2</sup>
IP protection lid closed	IP55 (optional IP66/IP67)	Stranded wiring (min-max)	25-95 mm <sup>2</sup>
IP protection plug connected	IP54 (optional IP66/IP67)	Keying positions	24
Shock resistance (metal casing)	IK09		

#### Load-break capability of the DECONTACTOR™

Comply with IEC/EN 60309-1 and IEC/EN 60309-4 standards	(150 A/500 V) or (150 A/690 V)
Load-break capability according to IEC/EN 60947-3/AC-22 A	(90 A/690 V) or (150 A/400 V)
Load-break capability according to IEC/EN 60947-3/AC-23 A	100 A/440 V
Short-circuit current I <sub>cc</sub>	10 kA
Power kW AC-22/AC-23	80 kW



GRP devices are not compatible with metal devices.

Dual-voltage socket-outlet (see p. 7)

**SOCKET-OUTLET female DS9 (150 A)**



**INLET male DS9 (150 A)**



220-250 V AC	1P+N+E	3994015	3998015
380-440 V AC	3P+E	3994013	3998013
220-250 V AC / 380-440 V AC	3P+N+E	3994017	3998017
660-690 V AC	3P+E	3994193	3998193
380-400 V AC / 660-690 V AC	3P+N+E	3994197	3998197
1 000 V AC	3P+E	3994223	3998223
Auxiliaries 10 A/400 V AC	+ 2 contacts	Ref. + 262	Ref. + 262
Auxiliaries 10 A/400 V AC	+ 4 contacts	Ref. + 264	Ref. + 264
Auxiliaries 10 A/400 V AC	+ 6 contacts	Ref. + 976	Ref. + 976
For IP66/IP67		Ref. + 600	Ref. + 600

► Other voltages, frequencies and contact configurations are available (see page 10).

### INFO+

#### OPTIONS AND ACCESSORIES

Find the boxes, sleeves and handles at the end of the section page 45.







### WALL MOUNTING SOCKET DS<sub>2</sub>



Wall box metal 60°  
596E6M63



Socket-outlet  
3924017

### PLUG DS<sub>2</sub>



Straight elastomer  
556POD35



Inlet  
3928017

## MAIN FEATURES

Rated current (with wiring according to standard)	250 A	Ambient temperature	-40 °C to +60 °C
Maximum voltage	1 000 V	Flexible wiring (min-max)	70-95 mm <sup>2</sup>
IP protection lid closed	IP55 (optional IP66/IP67)	Stranded wiring (min-max)	70-120 mm <sup>2</sup>
IP protection plug connected	IP54 (optional IP66/IP67)	Keying positions	12
Shock resistance	IK09		

### Load-break capability of the DECONTACTOR™

Comply with IEC/EN 60309-1 and IEC/EN 60309-4 standards	(250 A/500 V) or (200 A/690 V)
Load-break capability according to IEC/EN 60947-3/AC-22 A	(250 A/400 V) or (125 A/690 V)
Load-break capability according to IEC/EN 60947-3/AC-23 A	160 A/440 V
Short-circuit current I <sub>cc</sub>	10 kA

### SOCKET-OUTLET female DS<sub>2</sub> (250 A)



### INLET male DS<sub>2</sub> (250 A)



Dual-voltage socket-outlet (see p. 7)

380-440 V AC	3P+E	3924013	3928013
220-250 V AC 380-440 V AC	3P+N+E	3924017	3928017
660-690 V AC	3P+E	3924193	3928193
380-400 V AC 660-690 V AC	3P+N+E	3924197	3928197
1 000 V AC	3P+E	3924223	3928223
Auxiliaries 5 A/400 V AC	3P+N+E + 2 contacts	Ref. + 972	Ref. + 972
Auxiliaries 5 A/400 V AC	3P+E + 4 contacts	Ref. + 174	Ref. + 174
Auxiliaries 5 A/400 V AC	3P+E + 6 contacts	Ref. + 976	Ref. + 976
For IP66/IP67		Ref. + 600	Ref. + 600

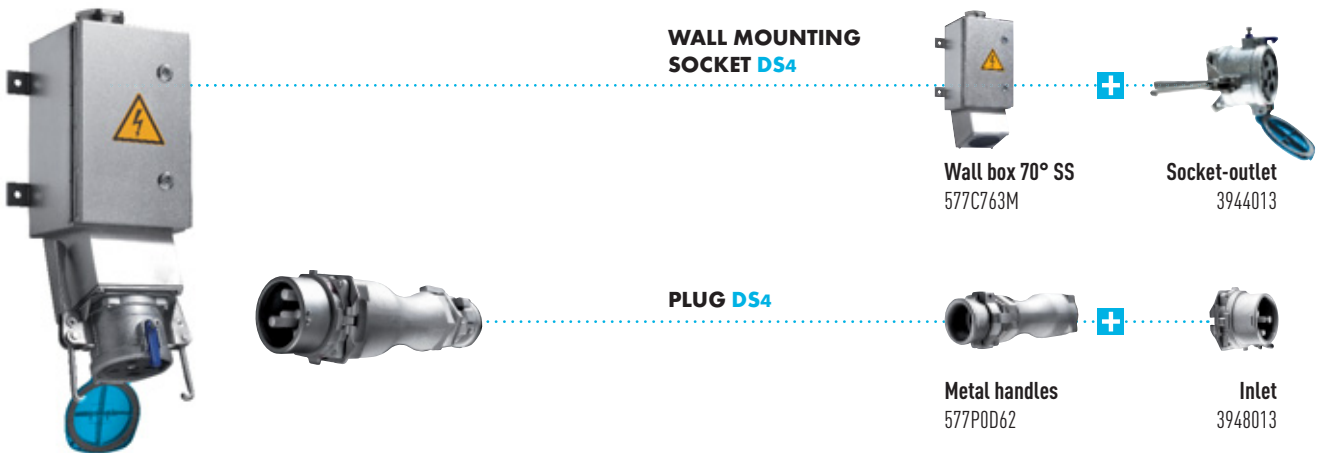
► Other voltages, frequencies and contact configurations are available (see page 10).  
For more than 2 auxiliary contacts, please contact us.

## INFO+

### OPTIONS AND ACCESSORIES

Find the boxes, sleeves and handles at the end of the section page 45.





### MAIN FEATURES

Rated current (with wiring according to standard)	400 A	Flexible wiring (min-max)	95-150 mm <sup>2</sup>
Maximum voltage	1 000 V	Stranded wiring (min-max)	95-185 mm <sup>2</sup>
Protection	IP54 (optional IP66/IP67)	<b>Connector only: not to be disconnected while energised</b>	
Shock resistance	IK09	Pilot contacts 5 A/400 V AC for electrical interlock	2
Ambient temperature	-40 °C to +60 °C	Mechanical interlock	as standard
Keying positions	12	Inlet closing device in stainless steel	as standard

**SOCKET-OUTLET** female DS4 (400 A)



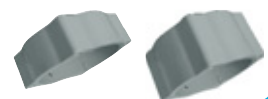
**INLET** male DS4 (400 A)



380-440 V AC	3P+E+ 2pil.	3944013	3948013
660-690 V AC	3P+E+ 2pil.	3944193	3948193
1 000 V AC	3P+E+ 2pil.	3944223	3948223

### REMEMBER TO ORDER AN OPTIONAL SPACER

Creates more space for easier wiring,  
thickness 68 mm : 577M0-68,  
thickness 115 mm : 577M0-115.



INFO+










### OPTIONS AND ACCESSORIES

Find the boxes, sleeves and handles at the end of the section page 45.
















## OPTIONS (DETAILS ON PAGE 216)

	DS1 size 2	DS3 size 3	DS6 size 4	DS9 size 5	DS2 size 6	DS4 size 7
<b>INDUSTRIAL-DOMESTIC ADAPTERS</b>						
 <p>Industrial inlet MARECHAL® 1P+N+E domestic socket-outlet 10/16 A 230 V fuse protection 10 A and 16 A.</p>	3118015D11*	NA	NA	NA	NA	NA
 <p>* All these plug adapters are available to foreign standards: replace D11 by D40 for UK, D30 for Germany/NL/Lux, D06 for Italy.</p>						
<b>LOCKING PIN FOR 2 PADLOCKS Ø 8 mm (PADLOCKS NOT SUPPLIED)</b>						
	Socket-outlet ref. + 843	Socket-outlet ref. + 843	Socket-outlet ref. + 843	Socket-outlet ref. + 844	Socket-outlet ref. + 843	Socket-outlet ref. + 843
<b>SAFETY HASP FOR UP TO 6 PADLOCKS</b>						
	873A541	873A541	873A541	873A541	873A541	873A541
<b>LARGER RELEASE BUTTON</b>						
	Socket-outlet ref. + 453	Socket-outlet ref. + 453	Socket-outlet ref. + 453	Socket-outlet ref. + 453		
<b>INLET CAP</b>						
 <p>IP66/IP67</p>	311A426	313A426	316A426			
 <p>IP55</p>				319A126	312A126	312A126
<b>IN-LINE CONNECTIONS (A PAIR OF FINGER DRAW PLATES TO AID CLOSING)</b>						
	613A346	616A346	316A346			
<b>180° OPENING LID</b>						
Standard on poly housing	Standard	Standard	Metal socket ref. + 10	Metal socket ref. + 10	Metal socket ref. + 10	NA
<b>SELF CLOSING/SELF RETURNING LID (ACCORDING TO MODEL)</b>						
	Socket-outlet + R Closing IP55	Socket-outlet + R Closing IP55	GRP Socket-outlet + R Closing IP55	Socket-outlet + R Returning IP40	Socket-outlet + R Returning IP40	Socket-outlet + R Returning IP40
<b>METAL SOCKET CASING WITH SELF RETURN &amp; 180° OPENING LID</b>						
			Socket-outlet ref. + 18	Socket-outlet ref. + 18	Socket-outlet ref. + 18	
<b>SELF-CLOSING LID FOR INLET LOCKABLE (IP54)</b>						
	311A226	313A226	316A226 DS6 GRP 396A226 DS6 metal			
<b>IP66/IP67 SOCKET-OUTLET AND INLET (RECOMMENDED IN THE CASE OF COUPLER SOCKET)</b>						
	NA	NA	Ref. + 600	Ref. metal + 600	Ref. + 600	Ref. + 600
<b>SELF-EJECTING (SEE REFERENCES AND OPTIONS DETAILS PAGE 228)</b>						
						
<b>ELECTROMAGNETIC COMPATIBILITY (EMC) (SEE DETAIL PAGE 223)</b>						
			Metal socket ref. +EMC	Metal socket ref. +EMC	Metal socket ref. +EMC	



# ACCESSORIES

(SEE PAGE 238 TO CROSS REFERENCE WITH OLDER PART NUMBERS)

BOXES			DS1 size 2	DS3 size 3	DS6 size 4	DS9 size 5	DS2 size 6	DS4 size 7	
<b>POLY BOX</b>									
	30°	M20	512B3M20						
	30°	M25	512B3M25	513B3M25					
	30°	M32			514B3M32				
	30°	M40			514B3M40				
	30°	M20	552B3M20						
	30°	M25	552B3M25	553B3M25					
	30°	M32			554B3M32				
	30°	M40			554B3M40				
<b>METAL BOX (+ EARTHING WIRE)</b>									
	20°	M20	592B2M20	593B2M20					
	20°	M25	592B2M25	593B2M25	594B2M25				Ref. +EMC
	20°	M32		593B2M32	594B2M32				Ref. +EMC
	20°	M40			594B2M40				Ref. +EMC
<b>POLY BOX + POLY SLEEVE (BLACK VERSION SEE ACCESSORIES DXN PAGE 169)</b>									
	70°	Without Hole	512C7000	513C7000	514C7000				
	70°	Ø M20	512C7M20						
	70°	Ø M25	512C7M25	513C7M25					
	70°	Ø M32	512C7M32	513C7M32	514C7M32				
	70°	Ø M40	512C7M40	513C7M40	514C7M40				
Extra earth bar ref: 51AA089									
<b>METAL BOX (+ EARTHING WIRE) + POLY SLEEVE</b>									
	30°	M20	512C3M20	513C3M20					
	30°	M25	512C3M25	513C3M25	514C3M25				
	30°	M32	512C3M32	513C3M32	514C3M32	515C3M32			
	30°	M40	512C3M40	513C3M40	514C3M40	515C3M40			
	30°	M50			514C3M50	515C3M50			
	30°	M63				515C3M63			
<b>METAL BOXES WITH METAL SLEEVE (+ EARTHING WIRE)</b>									
	30°	M20	592C3M20	593C3M20					
	30°	M25	592C3M25	593C3M25	594C3M25				Ref. +EMC
	30°	M32	592C3M32	593C3M32	594C3M32	595C3M32			Ref. +EMC
	30°	M40		593C3M40	594C3M40	595C3M40			Ref. +EMC
	30°	M50			594C3M50	595C3M50			Ref. +EMC
	30°	M63				595C3M63			Ref. +EMC
	0°	M20	592C0M20	593C0M20					
	0°	M25	592C0M25	593C0M25	594C0M25				Ref. +EMC
	0°	M32	592C0M32	593C0M32	594C0M32	595C0M32			Ref. +EMC
	0°	M40		593C0M40	594C0M40	595C0M40			Ref. +EMC
	0°	M50			594C0M50	595C0M50			Ref. +EMC
	0°	M63				595C0M63			Ref. +EMC
	70°	M20		593C7M20					
	70°	M25		593C7M25	594C7M25				Ref. +EMC
	70°	M32		593C7M32	594C7M32	595C7M32			Ref. +EMC
	70°	M40		593C7M40	594C7M40	595C7M40			Ref. +EMC
	70°	M50			594C7M50	595C7M50			Ref. +EMC
	70°	M63				595C7M63			Ref. +EMC



# ACCESSORIES

(SEE PAGE 238 TO CROSS REFERENCE WITH OLDER PART NUMBERS)

## BOXES



**DS1**  
size 2

**DS3**  
size 3

**DS6**  
size 4

**DS9**  
size 5

**DS2**  
size 6

**DS4**  
size 7



### METAL BOXES WITH METAL SLEEVE (+ EARTHING WIRE)



0° M50 595E0M50 Ref. +EMC

30° M50 595E3M50 Ref. +EMC

30° M63 595E3M63 Ref. +EMC



70° M50 595E7M50 Ref. +EMC

70° M63 595E7M63 Ref. +EMC



60° M50 596E6M50 Ref. +EMC

60° M63 596E6M63 Ref. +EMC

60° M75 596E6M75 Ref. +EMC

### METAL BOXES WITH METAL SLEEVE AND METAL CABLE GLAND (+ EARTHING WIRE)



70° 35-46 mm 577C763M

70° 48-65 mm 577C775M

## SLEEVE



**DS1**  
size 2

**DS3**  
size 3

**DS6**  
size 4

**DS9**  
size 5

**DS2**  
size 6

**DS4**  
size 7



### POLY SLEEVE



30° 512M3 513M3 514M3 515M3



30° 552M3 553M3 554M3 555M3



70° 512M7 513M7 514M7



70° 552M7 553M7 554M7

### METAL SLEEVE



0° 592M0 593M0 594M0 595M0 596M0 Ref. +EMC



30° 592M3 593M3 594M3 595M3 Ref. +EMC









60° 596M6 Ref. +EMC



60° 597M6



70° 593M7 594M7 595M7 Ref. +EMC

HANDLE		DS1 size 2	DS3 size 3	DS6 size 4	DS9 size 5	DS2 size 6	DS4 size 7	
<b>POLY HANDLE WITH GLAND</b>								
	5-21 mm	512P0D21						
	10-30 mm		513P0D30					
	13-35 mm			514P0D35				
	5-21 mm	552P0D21						
	10-30 mm		553P0D30					
	13-35 mm			554P0D35				
	40-63 mm					516P0D63		
<b>ELASTOMER HANDLE WITH GLAND</b>								
	18-25 mm				555P0D25			Ref. +443
	25-35 mm				555P0D35	556P0D35		Ref. +443
	35-45 mm				555P0D45	556P0D45		Ref. +443
	45-49 mm				555P0D49	556P0D49		Ref. +443
<b>POLY HANDLE WITH POLY CABLE GLAND (BLACK COLOR VERSION REPLACE 1 BY 5)</b>								
	5-12 mm	512P020P						Ref. +443
	9-18 mm	512P025P	513P025P					Ref. +443
	14-25 mm	512P032P	513P032P	514P032P	515P032P			Ref. +443
	18-32 mm	512P040P	513P040P	514P040P	515P040P			Ref. +443
	24-38 mm			514P050P	515P050P			Ref. +443
	35-48 mm				515P063P	516P063P		
<b>POLY HANDLE WITHOUT CABLE GLAND (METRIC THREAD ENTRY, BLACK COLOR VERSION REPLACE 1 BY 5)</b>								
	M20	512P0M20	513P0M20					Ref. +443
	M25	512P0M25	513P0M25					Ref. +443
	M32	512P0M32	513P0M32	514P0M32				Ref. +443
	M40	512P0M40	513P0M40	514P0M40				Ref. +443
	M50			514P0M50	515P0M50			
	M63				515P0M63	516P0M63		
	M75					516P0M75		

### LEGEND FOR OPTIONAL ACCESSORIES








-  Angle
-  Threading or gland size
-  EMC option
-  HT 240° C
-  Self-ejection

**INFO +**








# ACCESSORIES

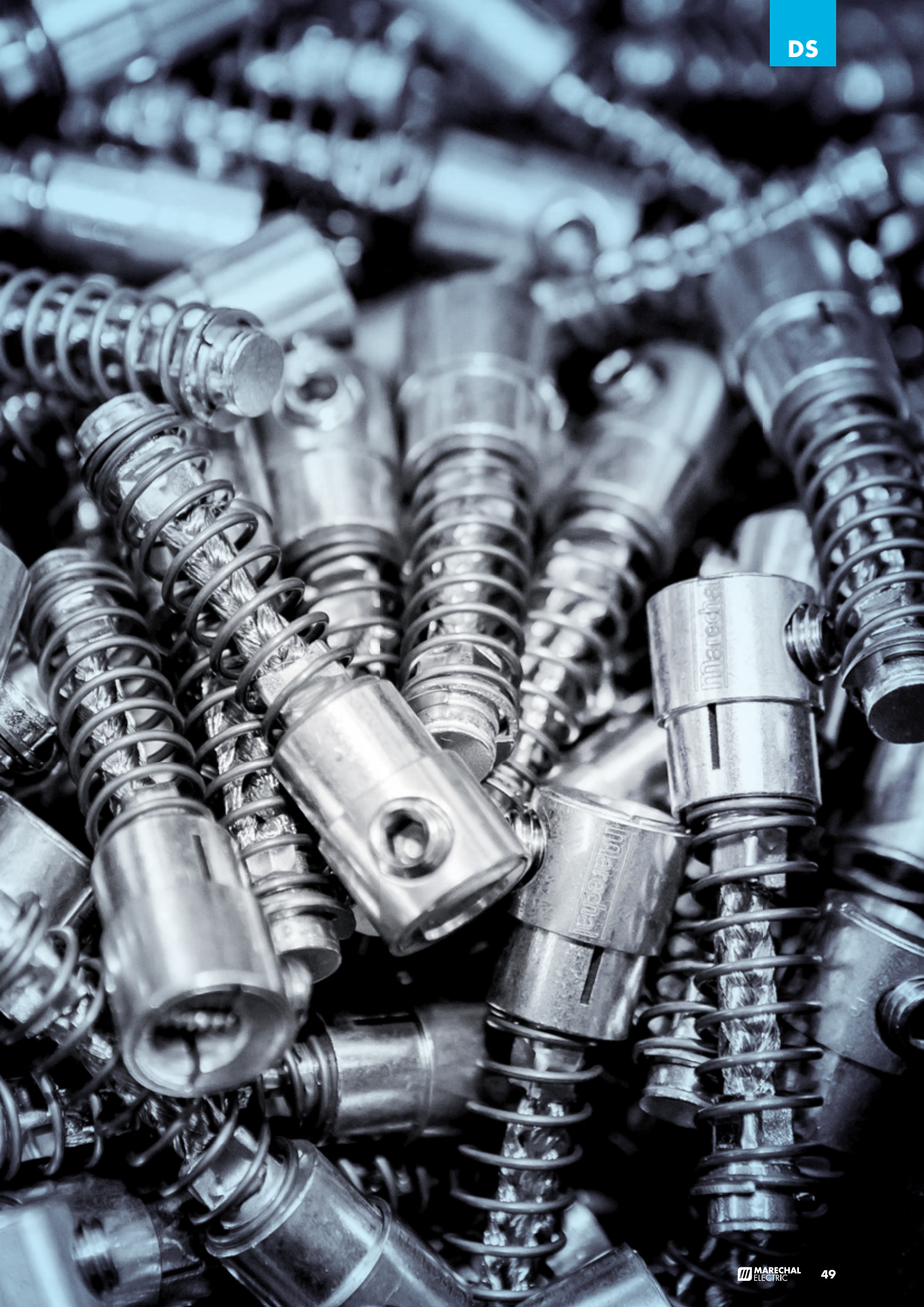
(SEE PAGE 238 TO CROSS REFERENCE WITH OLDER PART NUMBERS)

HANDLE		DS1 size 2	DS3 - DSHT size 3	DS6 size 4	DS9 size 5	DS2 size 6	DS4 size 7	
<b>METAL HANDLE WITH METAL GLAND (+ EARTHING WIRE)</b>								
	7-13 mm	592P020M	593P020M					
	8-16 mm	592P025M	593P025M	594P025M				Ref. +EMC (9-16 mm)
	16-24 mm	592P032M	593P032M	594P032M	595P032M			Ref. +EMC (11-21 mm)
	22-32 mm		593P040M	594P040M	595P040M			Ref. +EMC (19-28 mm)
	34-44 mm			594P050M	595P050M			Ref. +EMC (27-35 mm)
	35-48 mm				595P063M			Ref. +EMC (34-45 mm)
	12-20 mm		573P025M185					
	16-24 mm		573P032M185					
<b>METAL HANDLE WITH INTEGRATED CABLE CLAMP</b>								
	40-54 mm					596P0D54		
	54-63 mm					596P0D63		
	53-57 mm						577P0D57	
	58-62 mm						577P0D62	
	62-68 mm						577P0D68	
	69-73 mm						577P0D73	
<b>METAL HANDLE WITHOUT CABLE GLAND (METRIC THREAD ENTRY)</b>								
	M20	592P0M20	593P0M20					
	M25	592P0M25	593P0M25	594P0M25				Ref. +EMC
	M32	592P0M32	593P0M32	594P0M32	595P0M32			Ref. +EMC
	M40		593P0M40	594P0M40	595P0M40			Ref. +EMC
	M50			594P0M50	595P0M50	596P0M50		Ref. +EMC
	M63				595P0M63	596P0M63		Ref. +EMC
	M75					596P0M75		Ref. +EMC

## LEGEND FOR OPTIONAL ACCESSORIES

-  Angle
-  Threading or gland size
-  EMC option
-  HT 240° C
-  Self-ejection

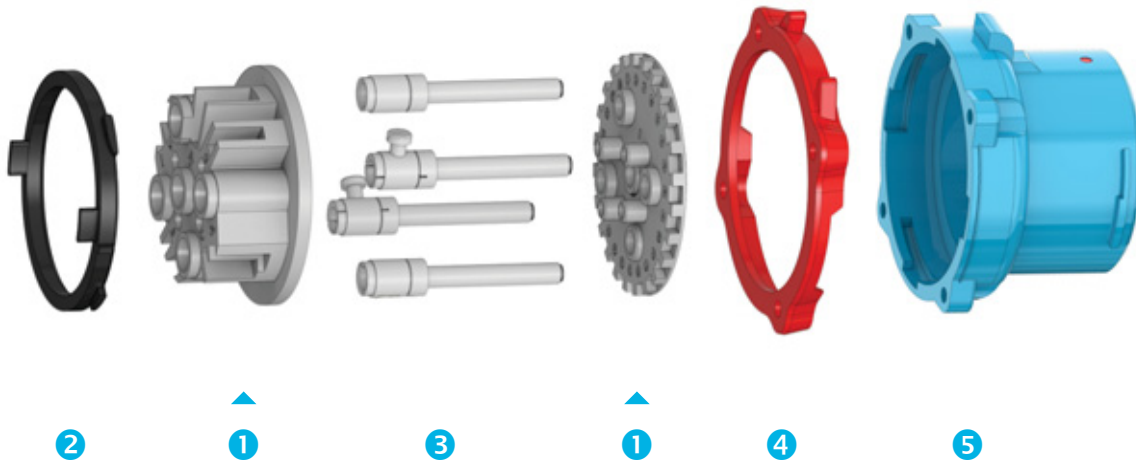
INFO +




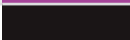






# SPARE PARTS



PLUG	DS1	DS3	DS6	DS9	DS2	DS4	
1 Plug interior	311A010	313A010	316A010	619A010	-	-	
1 Plug interior metal + E	-	-	396A110	699A110	392A110	394A110	
2 Locking ring	311A583	313A583	316A583	319A583	-	-	
2 Locking ring metal	-	-	396A583	399A583	392A583	394A583	
3 Plug contact (P or N)	311A011	616A011	316A011	619A011	392A011	394A011	
4 Color-coded voltage gasket		311AB26	313AB26	316AB26	319AB26	392AB26	-
		311AR26	313AR26	316AR26	319AR26	392AR26	-
		311AV26	313AV26	-	-	-	-
		311AN26	313AN26	316AN26	319AN26	392AN26	-
5 Plug casing poly	311A501	313A501	316A501	619A501	-	-	
5 Plug casing metal	-	-	396A501	399A501	392A501	394A501	






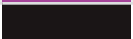
Remember to order the special removal key



Yellow disassembly key  
For poly casing  
31-A500-1

Contact us for spare parts.



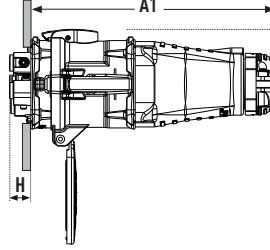
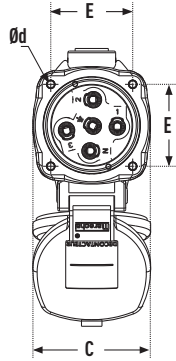
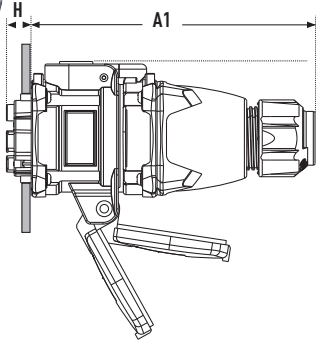
SOCKET	DS1	DS3	DS6	DS9	DS2	DS4	
1 Socket Interior poly	311A020	313A020	316A020	619A020	-	-	
1 Socket Interior metal +E			396A220	699A220	392A220	394A220	
2 Locking ring	311A583	313A583	316A583	319A583	-	-	
2 Locking ring metal	-	-	396A583	399A583	392A583	394A583	
3 Socket contact (P or N)	311A021	616A021	316A021	619A021	392A021	394A021	
4 Color-coded voltage gasket		311AB26	313AB26	316AB26	319AB26	392AB26	-
		311AR26	313AR26	316AR26	319AR26	392AR26	-
		311AV26	313AV26	-	-	-	-
		311AN26	313AN26	316AN26	319AN26	392AN26	-
5 Plug casing poly	311A524	313A524	316A524	619A524	-	-	
5 Metal Socket Lid Gasket	-	-	396A524	399A524	392A524	394A524	
6 Lid gasket	311A563	313A563	316A563	399A563 (metal) 619A074 (poly)	392A563	392A563	

Contact us for spare parts.

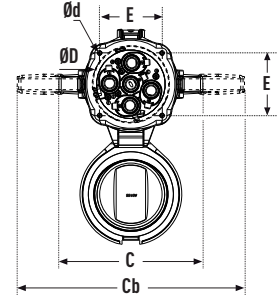


# DIMENSIONS

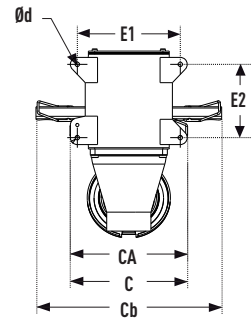
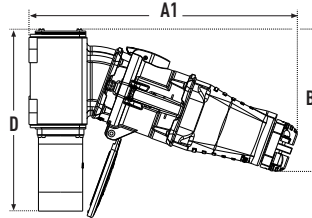
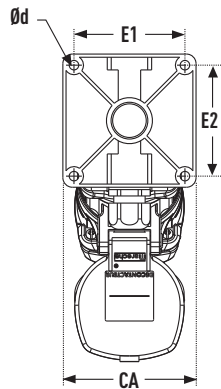
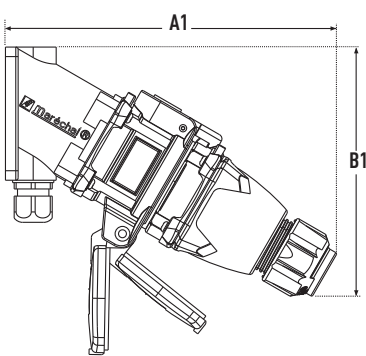
DS1/DS3/DS6



DS9/DS2



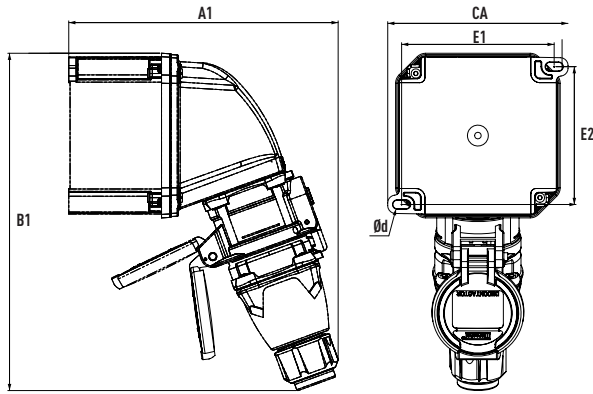
	A1	C	Cb	E	H	Ød*
<b>DS1</b>	166	69	/	48	15	5
<b>DS3</b>	179	80	/	55	17	5
<b>DS6</b>	203	95	/	66	25	5,5
<b>DS9 POLY</b>	315	186	294	81	26	6
<b>DS2</b>	360	192	304	98	38	6,5



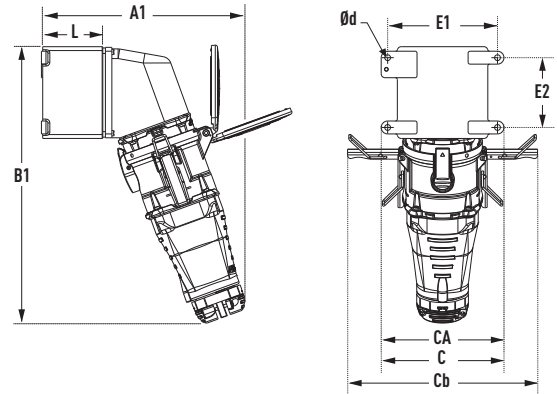
	A1	B1	CA	E1	E2	Ød*
<b>DS1</b>	209	157	84	70	70	6
<b>DS3</b>	235	181	89	77	88	6,5
<b>DS6</b>	283	215	105	89	112	7,5
<b>DS9 POLY (20°)</b>	425	225	185	163	116	7
<b>DS2 (60°)</b>	414	460	226	202	154	10

\*Ød : maximum drilling diameter.

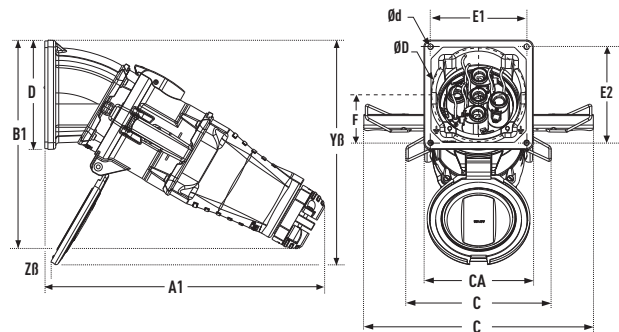
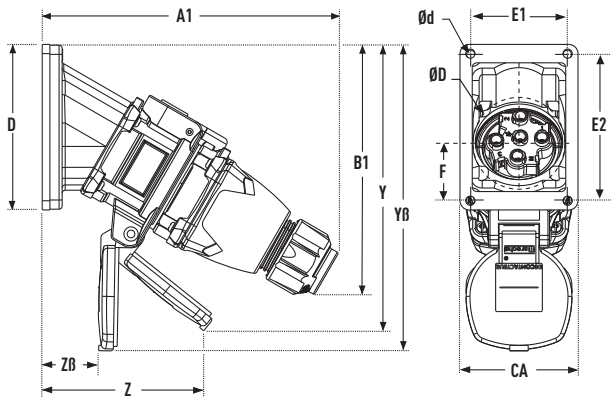
DS1/DS3/DS6



DS9/DS2



	A1	B1	Cb	CA	E1	E2	Ød*
<b>DS1</b>	207	259		136	117	105.5	6.5
<b>DS3</b>	236	313		176	157	145.5	6.5
<b>DS6</b>	243	336		176	157	145.5	6.5
<b>DS9 POLY</b>	315	430	294	190	170	108	9

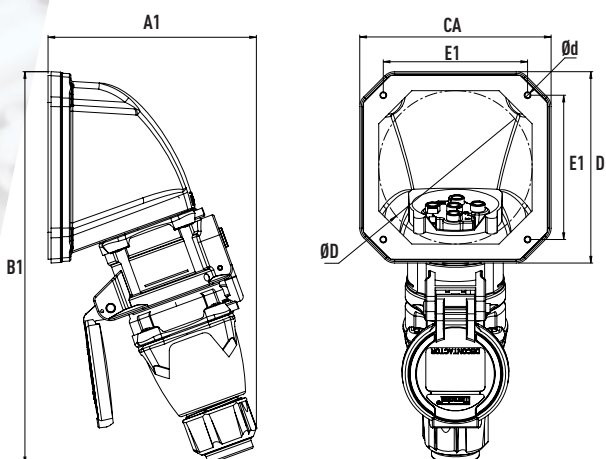


	A1	B1	CA	D	E1	E2	Ød*	ØD max
<b>DS1</b>	193	163	77	108	63	95	5,5	60
<b>DS3</b>	208	174	77	108	63	95	5,5	60
<b>DS6</b>	233	205	102	136	87	122	6,5	70

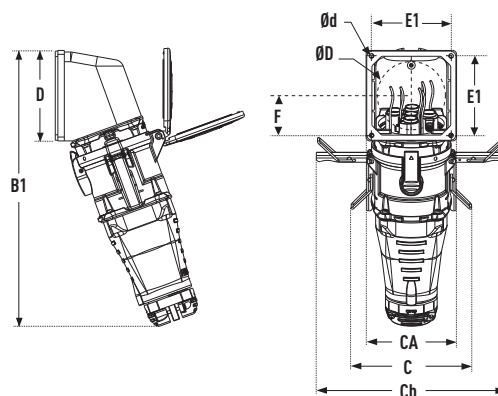
	A1	B1	C	CB	CA	D	E1	E2	Ød*	ØD max
<b>DS9 POLY (30°)</b>	358	267	186	294	140	140	124	124	7	120
<b>DS2 (60°)</b>	295	460	192	304	191	191	165	165	7	145

\*Ød : maximum drilling diameter.

DS1/DS3/DS6

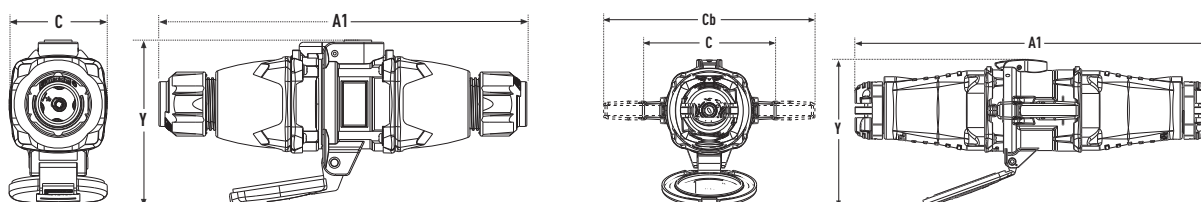


DS9/DS2



	A1	B1	CA	D	E1	Ød*
<b>DS1</b>	136	259	126	126	95	3.6
<b>DS3</b>	169	313	166	166	135	3.6
<b>DS6</b>	174	336	166	166	135	5

	A1	B1	C	Cb	CA	D	E1	Ød*
<b>DS9 POLY</b>	220	427	186	294	140	140	124	7

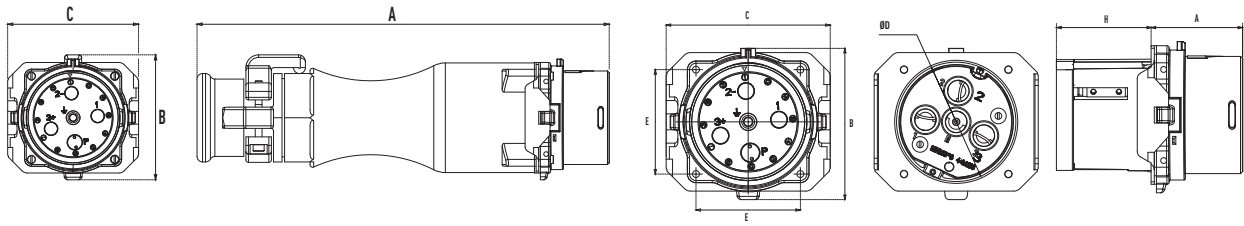


	A1	C	Y
<b>DS1</b>	259	69	117
<b>DS3</b>	277	80	145
<b>DS6</b>	309	95	167

	A1	C	Cb	Y
<b>DS9 POLY</b>	496	186	294	204
<b>DS2</b>	588	192	304	203

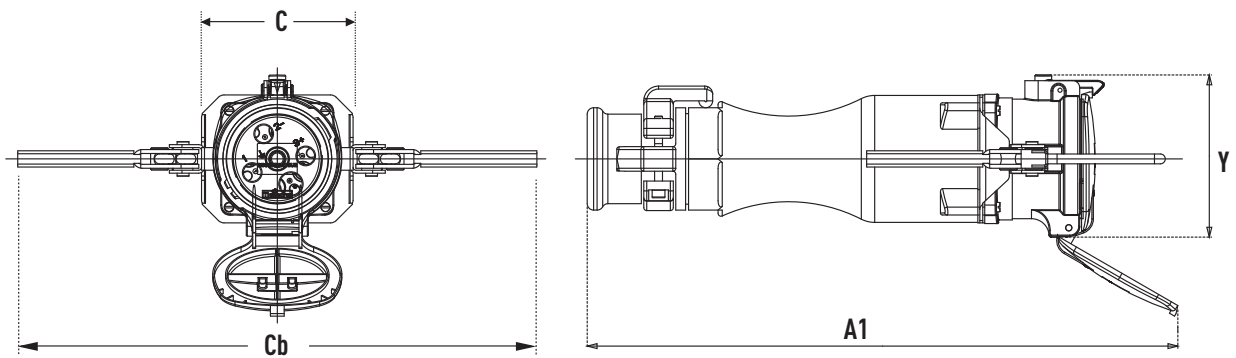
\*Ød : maximum drilling diameter.

DS4

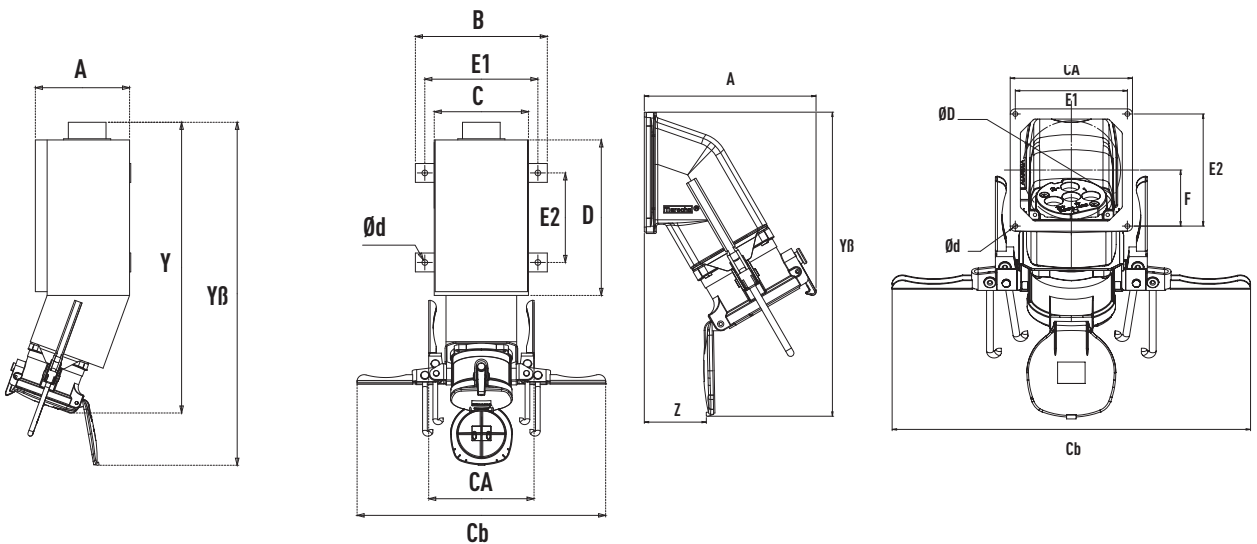


	A	B	C
<b>DS4</b>	485	147	154

	A	B	C	E	H	ØD max
<b>DS4</b>	86	89	154	142	98	112



	A1	C	Cb	Y
<b>DS4</b>	600	224	528	165



	A	B	C	CA	Cb
<b>DS4</b>	200	280	200	224	528

	A	CA	Cb	E1	E2
<b>DS4</b>	255	191	528	165	165

	E1	E2	Y	YB	Ød*
<b>DS4</b>	240	190	627	779	12

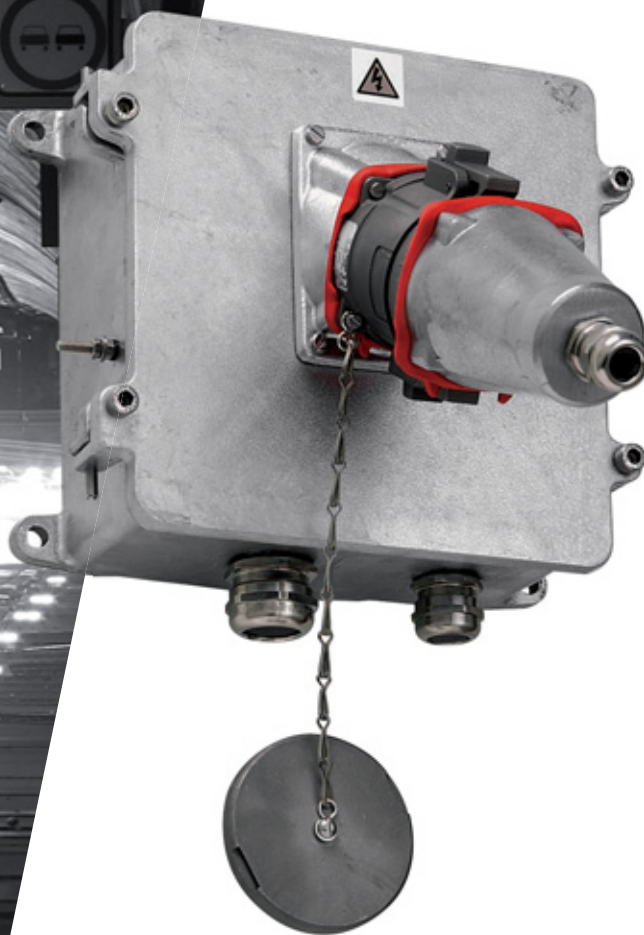
	F	YB	Z	Ød*	ØD max
<b>DS4</b>	82,5	448	85	7	145

\*Ød : maximum drilling diameter.

# DSHT



## DECONTACTOR™ HIGH TEMPERATURE



**30 A → 125 A**

- ▶ Proximity power supply of smoke accelerators or in high temperature environment up to 240 °C
- ▶ DECONTACTOR™ 3P+E+2 aux 125 A – 690 V AC - AC 22 IEC 60947-3
- ▶ Continuous use at 240 °C or 400 °C - EN 12101-3
- ▶ IP66 & IK09 for Metal casing
- ▶ Complies with machine directive EN 60204-1 (Art 5.3 & 5.4 proximity emergency stop)

## MAIN FEATURES

Max. operating temperature steady	240 °C/400 °C (2h)	Protection	IP66
Rated current In	125 A	Robustness	IK09
Umax	690 V	Crimp cable wiring from 6 to 35 mm <sup>2</sup>	
Maximum no. of contacts	3P+E	Terminal Wiring on socket side of 10 to 95 mm <sup>2</sup>	
Auxiliary contacts (optional)	2	Shock resistance	IK09 according to NF EN 50102
Breaking capacity	AC-22 (NF EN 60947-3)	Ingress Protection	IP66 (NF EN 60529)
Service terminals	3 terminals usually mounted on a steel base fire	Internal and external Earth point	Inside and outside the enclosure
Fire resistance	Electrical continuity of the main cable guaranteed to 400°C for 2 hours as the test program 5 of NF EN 12101-3 standard		



**TUNNEL APPLICATION EQUIPMENT**

**DSHT (125 A)  
400°C\***

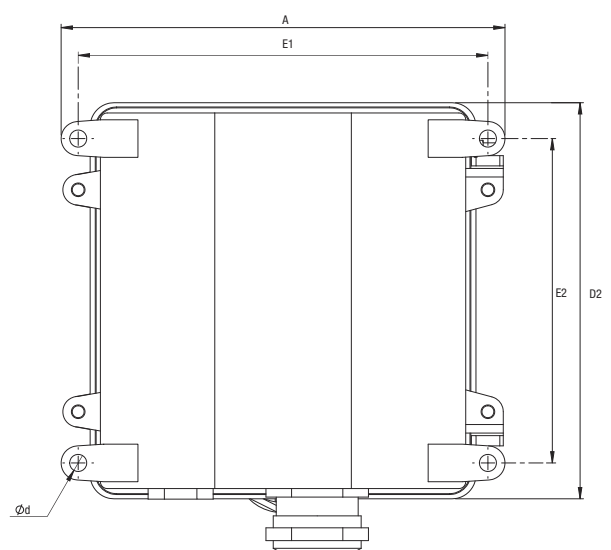
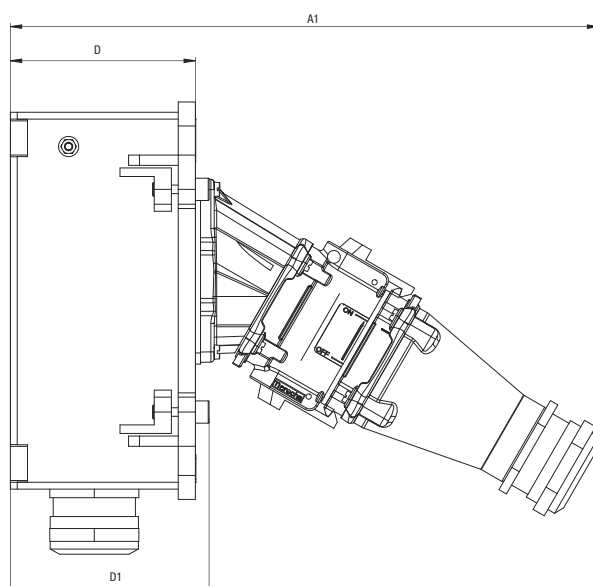
**WALL MOUNTING SOCKET**

**PLUG**

380-440 V AC	3P+E	3934013Zxxxx	3938013Zxxxx
660-690 V AC 63 A	3P+E	3934193Zxxxx	3938193Zxxxx

\* 400 °C for 2 hours/240 °C permanently

Contact us for configurations and references.



	A	A1	D	D1	D2	E1	E2	Ød max
<b>DSHT</b>	260	343	108	116	232	240	190	10