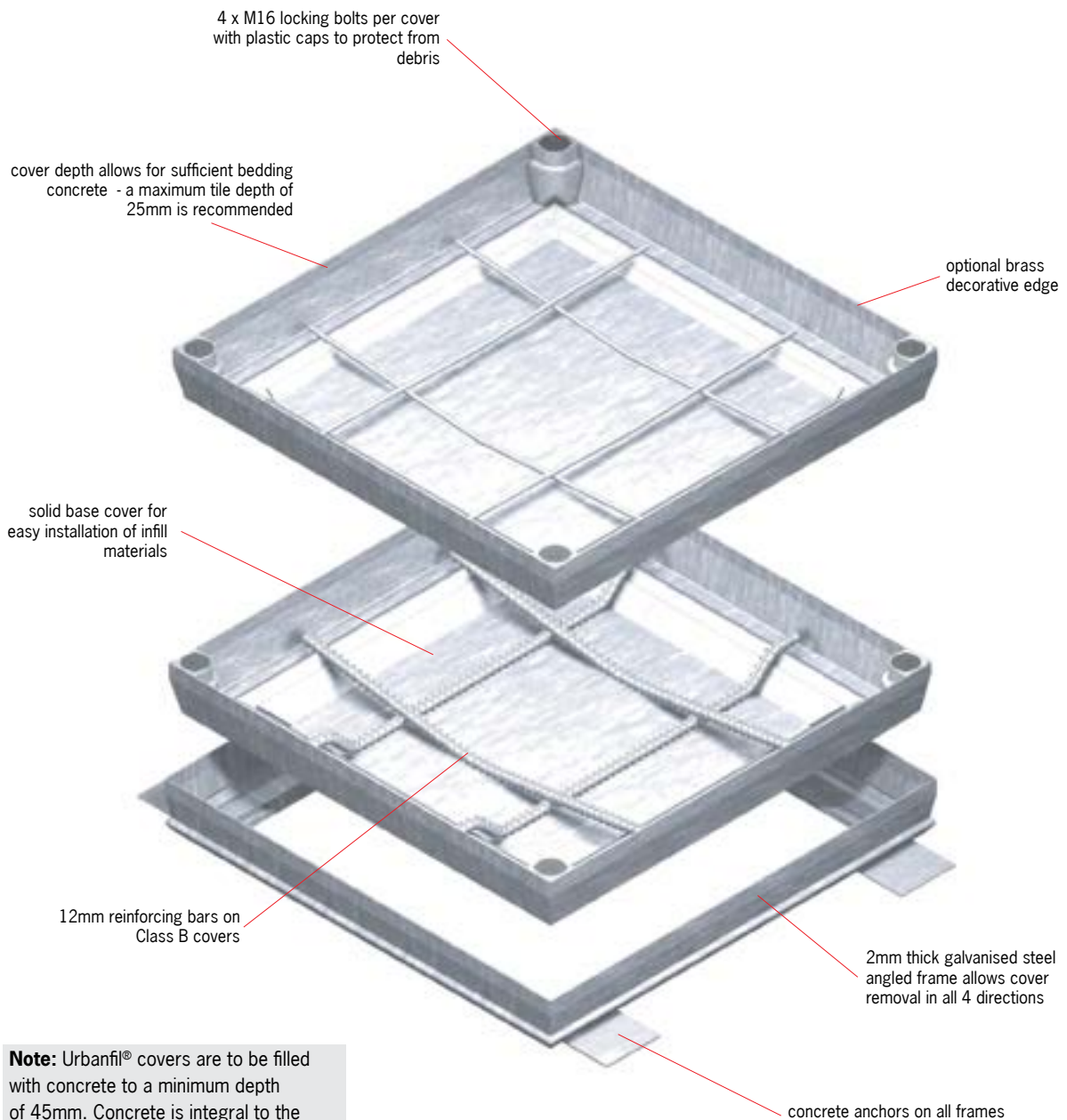


Urbanfil® – Single part galvanised steel recessed, lock and seal cover and frame

Single part units can be used to provide access to underground electricity and communication enclosures, tradewaste systems, valves and junction boxes.

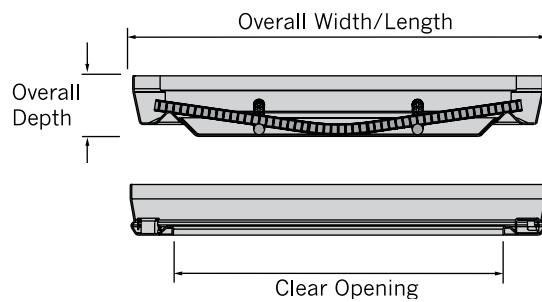
For tiled finishes, tiles should be fully restrained and bonded to the concrete bed to prevent damage to cover. An epoxy mortar is recommended.


Urbanfil® covers should never be used in road applications.



Note: Urbanfil® covers are to be filled with concrete to a minimum depth of 45mm. Concrete is integral to the strength of the cover. See page 41 for full details.

Class B



| Type | Part No. | Clear Opening* W x L (mm) | Overall W x L (mm) | Overall Depth (mm) | Cover Wgt (kg) | Overall Wgt (kg) | Decorative Edging* | Locking Option** |
|---|--------------|------------------------------|-----------------------|-----------------------|-------------------|---------------------|-----------------------|---------------------|
|  Class B - AS 3996 - 80kN | | | | | | | | |
| GS33C | 81686 | 300 x 300 | 430 x 430 | 85 | 7.1 | 11.9 | BE | BB |
| GS44C | 81520 | 450 x 450 | 580 x 580 | 85 | 10.7 | 16.8 | BE | BB |
| GS46C | 81547 | 450 x 600 | 580 x 730 | 85 | 13.2 | 19.9 | BE | BB |
| GS66C | 81565 | 600 x 600 | 730 x 730 | 85 | 15.7 | 23.0 | BE | BB |
| GS67C | 81586 | 600 x 750 | 730 x 880 | 85 | 18.6 | 26.7 | BE | BB |
| GS69C | 82018 | 600 x 900 | 730 x 1030 | 85 | 20.9 | 29.6 | BE | BB |
| GS77C | 81601 | 750 x 750 | 880 x 880 | 85 | 21.5 | 30.2 | BE | BB |
| GS94C | 81661 | 900 x 450 | 1030 x 580 | 85 | 17.6 | 25.7 | BE | BB |
| GS99C | 81645 | 900 x 900 | 1080 x 1080 | 85 | 27.6 | 37.5 | BE | BB |

* Decorative Brass (BE) edging can be added - just specify BE after part no.

** Optional security locking bolts are available for security applications - specify Barri bolts (BB) after part no.