

Pavermate® – Single part galvanised steel recessed, lock and seal cover and frame specifically for pavers

Single part units can be used to provide access to underground electricity and communication enclosures, valves and junction boxes.

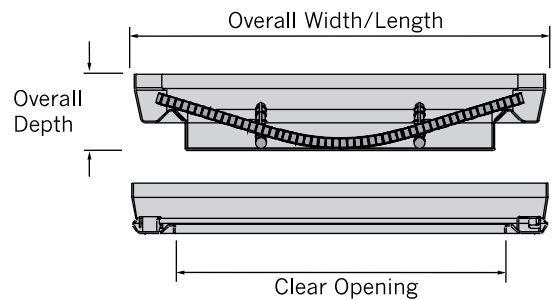
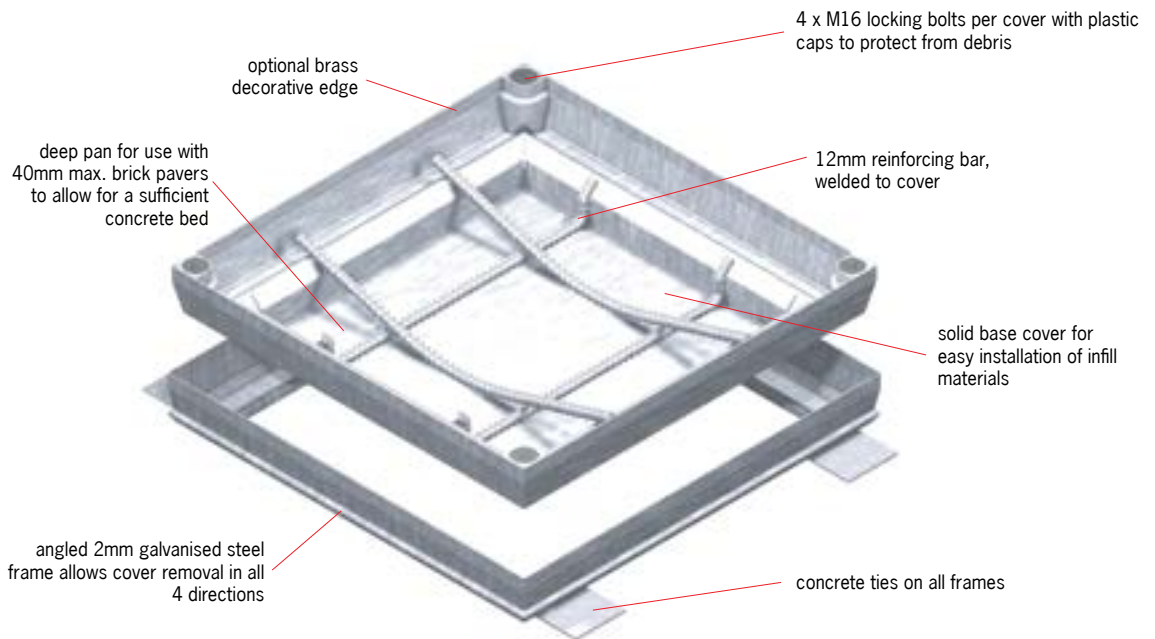
Pavermate® covers should never be used in road applications.

The deep pan profile allows for sufficient bedding concrete without having to cut pavers - making installation of brick pavers quick and simple.

Pavers should be fully restrained and bonded to the concrete bed to prevent

damage to cover. An epoxy mortar is recommended.

The discreet edge detail is ideal for architectural solutions requiring visual continuity of the pavement.



Note: Pavermate® covers are to be filled with concrete to a minimum depth of 45mm. Concrete is integral to the strength of the cover. See page 41 for full details.

Type	Part No.	Clear Opening* W x L (mm)	Overall W x L (mm)	Overall Depth (mm)	Cover Wgt (kg)	Overall Wgt (kg)	Decorative Edging*	Locking Option**
Class B - AS 3996 - 80kN								
PM33C	81297	300 x 300	430 x 430	135	6.7	1.2	BE	BB
PM44C	81305	450 x 450	580 x 580	135	11.4	17.0	BE	BB
PM46C	81312	450 x 600	580 x 730	135	12.5	18.9	BE	BB
PM66C	81948	600 x 600	730 x 730	135	14.9	21.9	BE	BB
PM67C	81353	600 x 750	730 x 880	135	17.8	25.4	BE	BB
PM69C	81364	600 x 900	730 x 1030	135	20.0	28.3	BE	BB
PM77C	81372	750 x 750	880 x 880	135	20.7	28.9	BE	BB
PM94C	81338	900 x 450	1030 x 580	135	17.9	25.5	BE	BB
PM99C	81992	900 x 900	1030 x 1030	135	26.5	36.0	BE	BB

* Decorative Brass (BE) edging can be added - just specify BE after part no.

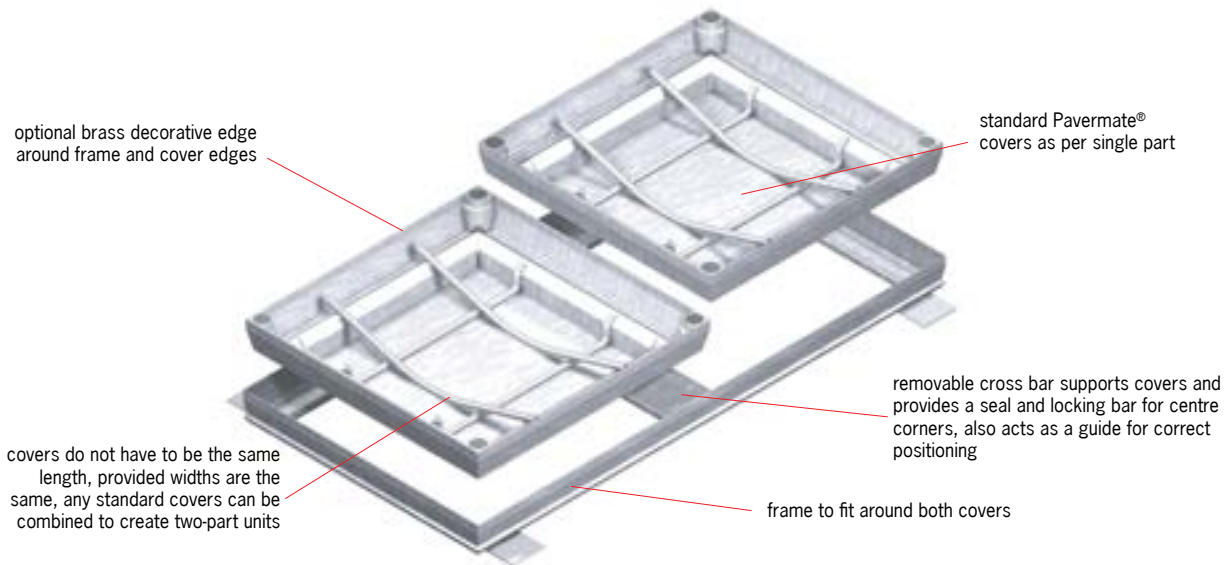
** Optional security locking bolts are available for security applications - specify Barri bolts (BB) after part no.

Pavermate® – Two-part galvanised steel recessed, locking cover and frame specifically for pavers

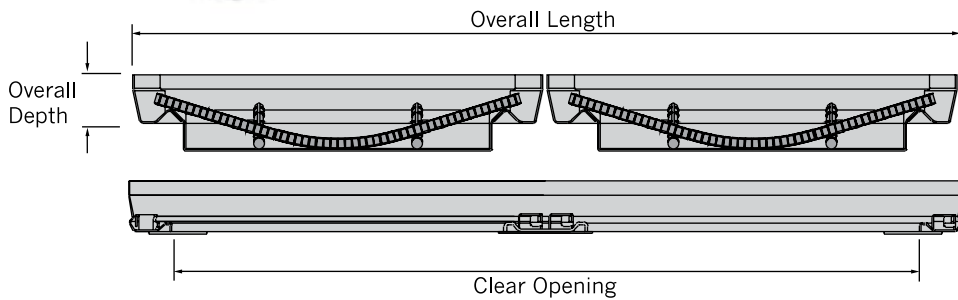
Two-part units combine two standard size covers in a single run. They are used where a single part cover does not offer a large enough clear opening or if smaller individual covers are required for easier lifting.

Common applications include grease traps/arrestors, electricity and communication enclosures, valves and junction boxes. Pavermate® covers should never be used in road applications. The deep pan profile allows for sufficient

bedding concrete without having to cut pavers - making installation of brick pavers quick and simple. Pavers should be fully restrained and bonded to the concrete bed to prevent damage to cover. An epoxy mortar is recommended.



Note: Pavermate® covers are to be filled with concrete to a minimum depth of 45mm. Concrete is integral to the strength of the cover. See page 41 for full details.



Type	Part No.	Clear Opening* W x L (mm)	Overall W x L (mm)	Overall Depth (mm)	Cover Wgt (kg)	Overall Wgt (kg)	Decorative Edging*	Locking Option**
Class B - AS 3996 - 80kN								
PM2410B	82358	450 x 1020	580 x 1150	135	11.4/11.4	33.9	BE	BB
PM2411B	82366	450 x 1170	580 x 1300	135	11.4/12.5	35.9	BE	BB
PM2413B	82373	450 x 1320	580 x 1450	135	12.5/12.5	37.9	BE	BB
PM2610B	82384	600 x 1020	730 x 1150	135	12.5/12.5	39.7	BE	BB
PM2611B	82398	600 x 1170	730 x 1300	135	12.4/14.9	39.6	BE	BB
PM2613B	82405	600 x 1320	730 x 1450	135	14.9/14.9	39.2	BE	BB
PM2614B	82417	600 x 1470	730 x 1600	135	14.9/17.8	44.7	BE	BB
PM2616B	82422	600 x 1620	730 x 1750	135	17.8/17.8	50.4	BE	BB
PM2617B	82436	600 x 1770	730 x 1900	135	17.8/20.0	57.5	BE	BB
PM2619B	82443	600 x 1920	730 x 2050	135	20.0/20.0	56.9	BE	BB
PM2713B	82450	750 x 1320	880 x 1450	135	17.8/17.8	51.1	BE	BB
PM2714B	82464	750 x 1470	880 x 1600	135	17.8/20.7	54.7	BE	BB
PM2716B	82471	750 x 1620	880 x 1750	135	20.7/20.7	58.2	BE	BB
PM2913B	82488	900 x 1320	1030 x 1450	135	17.9/17.9	55.3	BE	BB

* Decorative Brass (BE) edging can be added - just specify BE after part no.

** Optional security locking bolts are available for security applications - specify Barri bolts (BB) after part no.