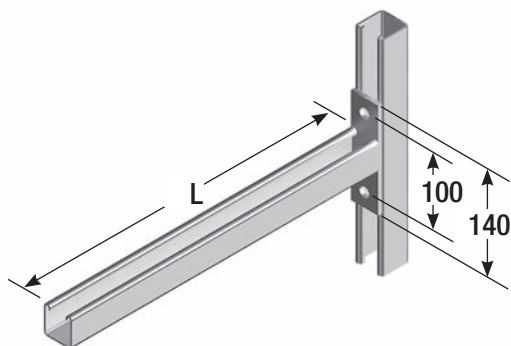


Material Specification - Thickness 2.5mm

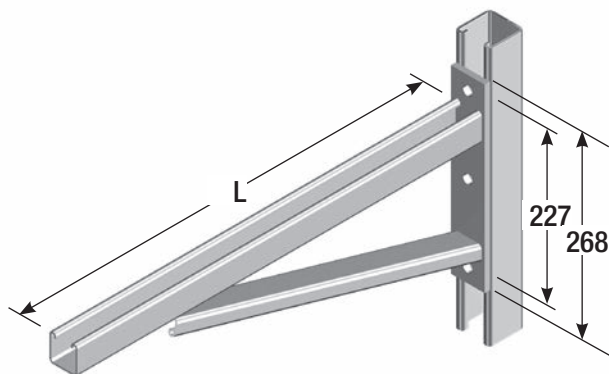
Available Finish - Hot Dip Galvanised
- Stainless Steel

Note - Stainless Steel products are manufactured against firm orders only. They are non returnable and the order cannot be cancelled once manufacturing has commenced.
- Load Capacities are based on the application of a uniformly distributed load.
- Powder coating and special finishes on request against firm orders only and are non returnable.



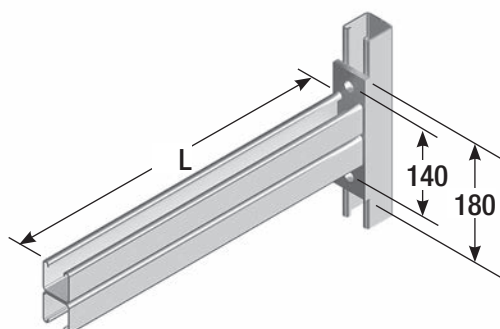
Cantilever Bracket CL

Ordering Code	Length L	Load Capacity kg
CL150	150	320
CL300	300	260
CL450	450	171
CL600	600	116
CL750	750	102
CL900H	900	86



Cantilever Bracket CLB

Ordering Code	Length L	Load Capacity kg
CLB320	320	445
CLB470	470	376
CLB635	635	338
CLB780	780	279



Cantilever Bracket CLD

Ordering Code	Length L	Load Capacity kg
CLD300	300	610
CLD450	450	506
CLD600	600	372
CLD750	750	259

CHANNELS 1

NUTS & BOLTS 2

CANTILEVER BRACKETS 3

CHANNEL FITTINGS 4

LADDERTRAYS 5

CABLE MESH 6

STEEL LADDERS 7

ALUMINIUM LADDERS 8

FIRE RATED 9

COVERS 10

HYGROUND 11