

Industrial power relays

Plug-in

- Space saving
- Suitable for high power switching
- Integral test button
- 16 A rated base now available



Cat. No.
62.32...V AC
62.32...V DC



Cat. No.
62.33...V AC
62.33...V DC

Contact specifications

Contact configuration	2 C/0	3 C/0
Rated current	16 A	
Rated voltage	250 V AC	
Rated load in AC 1	4,000 VA	
Rated load in AC 15 (230 V AC)	750 VA	
Single phase motor rating (230 V AC)	0.8 kW	
Breaking capacity in DC 1 : 30/110/220 V	16/0.6/0.4 A	
Maximum peak current	30 A	
Maximum switching voltage	400 V AC	
Minimum switching load	1,000 mW	

Coil specifications

Nominal voltage (U _N)	(50/60 Hz) AC	24, 110, 240	24, 110, 240
	DC	24	12, 24, 48
Rated power AC/DC	2.2 VA/1.3 W		
Operation range	(50 Hz) AC	(0.8...1.1) U _N	
	DC	(0.8...1.1) U _N	
Holding voltage AC/DC	0.8 U _N /0.6 U _N		
Must drop-out voltage	0.2 U _N /0.1 U _N		

Technical data

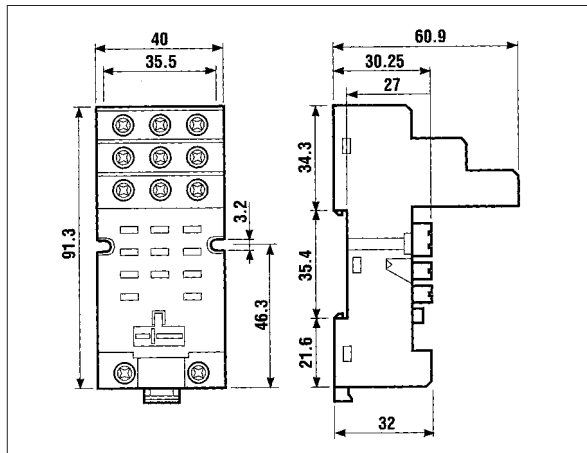
Mechanical life AC/DC	10.10 ⁶ /30.10 ⁶ cycles	
Electrical life @ rated load AC 1	100.10 ³ cycles	
Insulation between coil and contacts	6 kV	
Ambient temperature range	-40 °C...+70 °C	
Protection rating	IP 50	
Connection diagram		
Bases	92.03 Screw terminal base	

Note: The equipment on this page is rated 230/400 V and is suitable for use on 240/415 V systems as per AS 60038:2000.

Relay base dimensions (mm)

62 Series (plug-in)

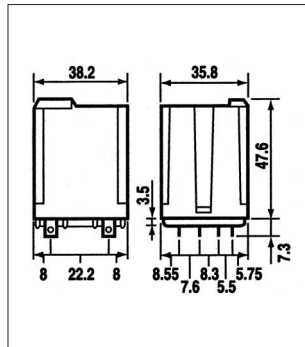
Cat No. 92.03



Relay dimensions (mm)



62 Series (Plug in)

Cat. No. 62.32, 62.33



Relay bases and Accessories

Bases for series 62 relays

	 <i>Coil & contact terminal separation</i>	
Cat. No.	92.03	92.43
Description	Screw terminal base Rated at 16 Amps	DIN rail mounting base open terminals
Relay to suit	Flat pin 2 C/O & 3 C/O (11 pin) 62.32... 62.33...	Flat pin 3 C/O (11 pin) 62.32... 62.33...
Retaining clip	92.71	92.53