

# Emergency Lighting LED Slide Connect G2 Exit Sign



CAT NO. 686200, 686201, 686208, 686209, 686206, 686203, 686204, 686211, 686212 and 686207



- Low energy consumption and heat dissipation - save up to 70% on energy consumption\*
- Unique single LED maintained exit sign (patent pending)
- Long life LED light source - up to 50,000 hours
- Retrofits to previous generation Minitronics Slide Connect bracket
- High resistance polycarbonate clear cover and white ABS housing
- One box solution
- Can be wall, ceiling or cantilever mounted
- Two-rate charge mechanism
- High temperature NiCd batteries
- Large terminal block for ease of connection
- Stand alone and Axiom versions available
- Low cost maintenance
- Available in White, Silver and Black body
- AS 2293 compliant

\* When compared with traditional fluorescent fitting

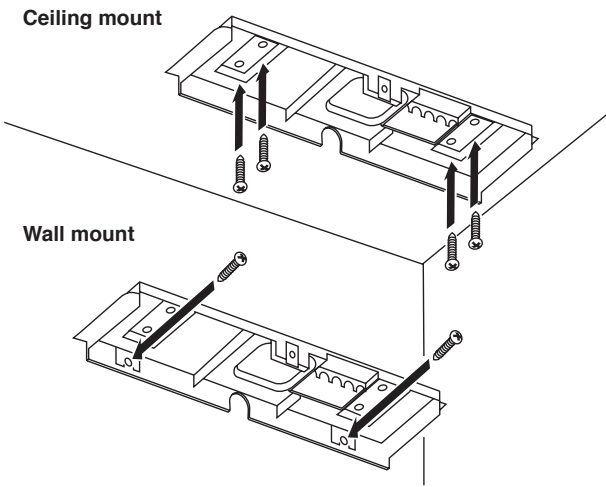
SPU			
Cat No.	Product code	Description	Barcode
686200	LSC102RM	White body c/w running man sheets (set of 4)	9322276862009
686201	LSC102X	White body c/w EXIT sheets, Peel-off-arrow (set of 3)	9322276862016
686208	LSC102SRM	Silver body c/w Running man sheets (set of 4)	9322276862085
686209	LSC102SX	Silver body c/w EXIT sheets, Peel-off-arrow (set of 3)	9322276862092
686206	LSC102B	Black body less diffuser sheets (no downward lens)	9322276862061
686210	LSC102S	Silver body c/w no legends	9322276862108

Computer Monitored SPU's AXIOM Wireless			
Cat No.	Product code	Description	Barcode
686203	AXLSC102RM	White body c/w running man sheets (set of 4)	9322276862030
686204	AXLSC102X	White body c/w EXIT sheets, Peel-off-arrow (set of 3)	9322276862047
686211	AXLSC102SRM	Silver body c/w running man sheets (set of 4)	9322276862115
686212	AXLSC102SX	Silver body c/w EXIT sheets, Peel-off-arrow (set of 3)	9322276862122
686207	AXLSC102B	Black body less diffuser sheets (no downward lens)	9322276862078

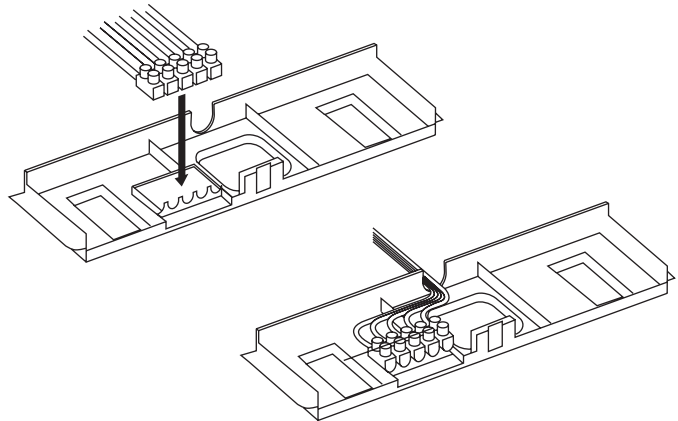
Diffuser sheets			
Cat No.	Product code	Description	Barcode
686217	G2RM	Running man	9322276862177
686218	G2RML	Running man left	9322276862184
686219	G2RMR	Running man right	9322276862191
686221	G2RM4	Running man set (set 4)	9322276862214
686220	G2RMGB	Running man straight ahead, Green-on-black	9322276862207
686222	G2POA	'EXIT' Peel-off-arrows	9322276862221
686227	G2POAGB	'EXIT' Peel-off-arrows, Green-on-black	9322276862276
686229	G2BLANKOPAL	Blank opal (translucent)	9322276862290
686228	G2OPAQUE	Opaque (no light transmitted)	9322276862283

Accessories			
Cat No.	Product code	Description	Barcode
686215	G2BRKT	Cantilever bracket, White	9322276862153
686216	G2SUSPN	Wire suspension kit, silver pair of 2	9322276862160
686214	BP4SCW	Battery pack replacement for LSC	9322276862146
686231	G2MNTBRK	Mounting bracket	9322276862313
686235	G2WGSS	Wire guard single sided	9322276862351
686236	G2WGDS	Wire guard double sided	9322276862368
686237	LSC102B0240	240V body only	9322276862375
686238	LSCLEDASSY	LED assembly	9322276862382

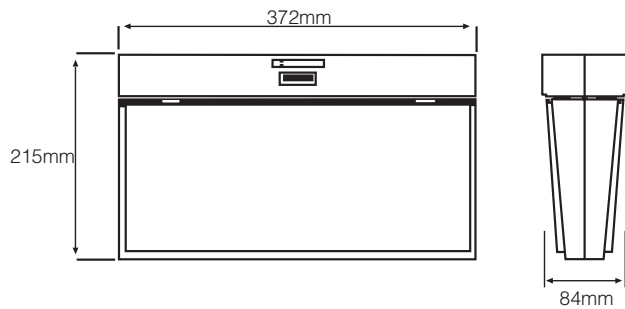
## Product Installation



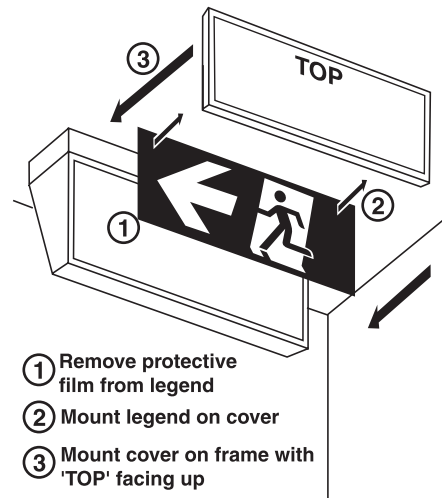
## Cable Management



## Dimensions



## Diffuser Installation



**Classification**      **Maximum spacing between luminaires**  
**Mounting height (Metres)**

Classification \ Metres	2.1	2.4	2.7	3	3.3	3.6	4
A1.25	2.5	2.4	2.2	1.9	1.3		
A1.6	2.8	2.8	2.7	2.5	2.2	1.8	
D1.25	4.0	3.8	3.4	2.9	2.0		
E1.6	4.8	4.8	4.8	4.4	4.0	4.2	3.8

**Photometric Report**

Catalogue No.	Ceiling Mount		Wall Mount	
	C <sub>0</sub>	C <sub>90</sub>	C <sub>0</sub>	C <sub>90</sub>
686200	D1.25	A1.25	E1.6	E1.6
686201	D1.25	A1.25	E1.6	E1.6
686203	D1.25	A1.25	E1.6	E1.6
686204	D1.25	A1.25	E1.6	E1.6
686208	D1.25	A1.25	E1.6	E1.6
686209	D1.25	A1.25	E1.6	E1.6
686211	D1.25	A1.25	E1.6	E1.6
686212	D1.25	A1.25	E1.6	E1.6

Product specifications		
Cat No	SPU (686200)	AXIOM (686203)
Lamp	1x1W HBLED	
Battery	NiCd 2x2 Sub-C cells linear - 4.8Vdc 1.5Ah	
Charging Mechanism	Dual Rate Charge	
Charging Current	150mA (hrc) - 40mA (lrc)	
Operating Voltage	240V a.c. +/- 6% 50Hz	
Power Consumption	4.6W	5.3W
Body Construction	ABS	
Operating Temperature	10° to 40°	
IP Rating	IP20	
Replacement battery	Cat No 686214	

Packaging specifications		
Cat No	SPU	Axiom
Single box quantity	1	1
Single box dimensions (WxHxD) mm	240mm x 115mm x 400mm	240mm x 115mm x 400mm
Single box weight	1.6kg	1.65kg

# Emergency Lighting LED Slide Connect G2 Exit Sign

CAT NO. **686200, 686201, 686208, 686209, 686206, 686203, 686204, 686211, 686212 and 686207**

HPM Legrand - AUS  
1300 534 726  
www.legrand.com.au

HPM Legrand - NZ  
0800 476 009  
www.legrand.com.au

Refer to your group buying office, HPM Legrand Sales Representative or HPM Legrand Sales Office for pricing.