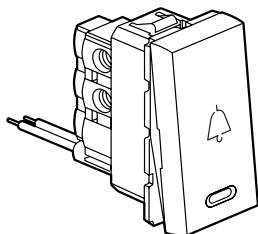
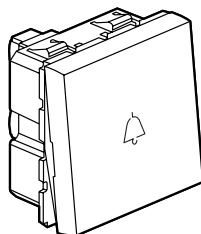


Arteor™ 6 A push-button with indicator

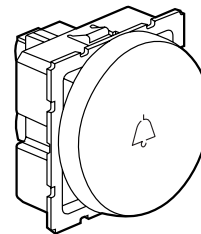
Cat. No(s): 572 015/016/056/515/516/556
573 080/180



572 016/516



572 056/556

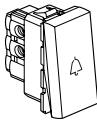
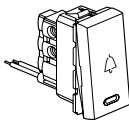
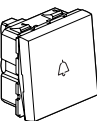
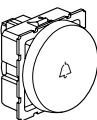


573 080/180

1. USE

General lighting control mechanisms with signalling elements (indicator, bell).

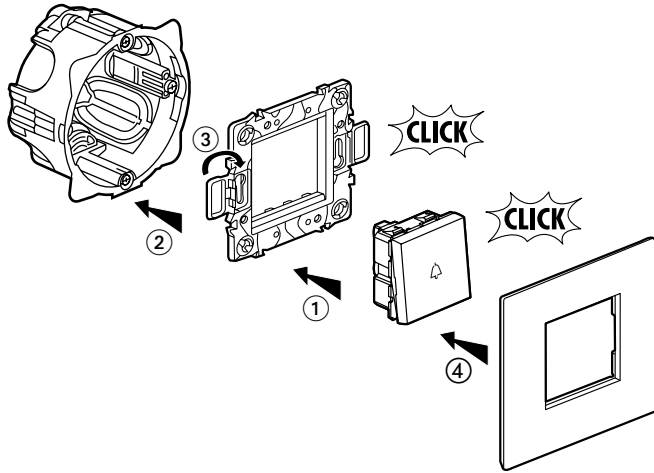
2. RANGE

	Designation	Finishes		No. of modules	Connection method	Weight (g)	Characteristics
		White	Magnesium				
	One-way push-button bell symbol (square)	572 015	572 515	1	with screws	21	6 A - 250 VAC
	One-way push-button bell symbol with indicator (square)	572 016	572 516	1	with screws	19.8	6 A - 250 VAC
	One-way push-button bell symbol (square)	572 056	572 556	2	with screws	29.2	6 A - 250 VAC
	One-way push-button bell symbol (round)	573 080	573 180	2	with screws	26.5	6 A - 250 VAC

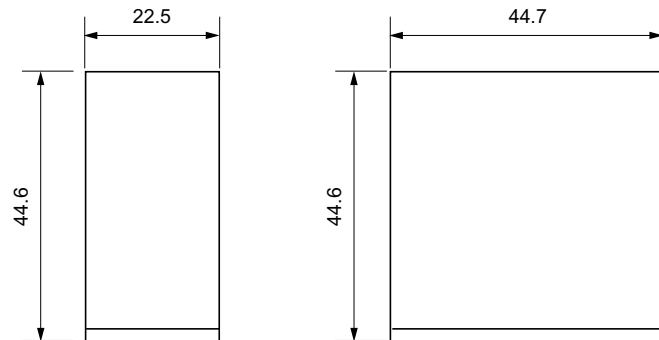
6 A push-button with indicator

3. PREPARATION

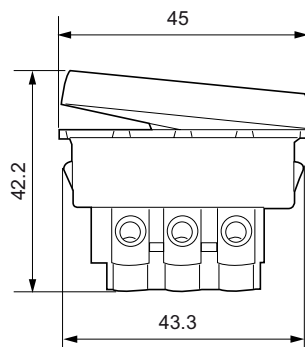
The mechanisms can be flush-mounted or surface-mounted



4. OVERALL DIMENSIONS



572 015/016/515/516

572 056/556
573 080/180

5. CONNECTION

Terminals: with screws

Capacity: 2 x 2.5 mm² or 1 x 4 mm²

Stripping: 10 mm

Screwdriver: 4 mm flat-blade up to 5.5 mm

6. OPERATION

Push-button mechanism with/without integrated indicator, marking.

7. TECHNICAL CHARACTERISTICS

7.1 Mechanical characteristics

Impact tests: IK 04

Protection by solid bodies / liquids: IP 40 (mounted)
IP 20 (alone)

7.2 Material characteristics

Rocker: Polycarbonate

Base: Polycarbonate

Basket: Polypropylene

7.3 Electrical characteristics

Voltage: 250 VAC

Current: 6 A

Consumption of the indicator light: 0.95 mA

Self-extinguishing: 650° C / 30 s.

7.4 Climatic characteristics

Storage temperature: - 10° C to + 70° C

Operating temperatures: - 5° C to + 50° C

8. CLEANING

Surface cleaning with a cloth

Do not use: acetone, tar remover, trichloroethylene

Resistance to the following cleaning agents: Hexane (EN-60669-1), Methylated spirits, Soapy water, diluted ammonia, diluted pure bleach 10%, Glass cleaning substance, Pre-impregnated wipes.

Caution: A preliminary test should be carried out if other specific cleaning products are to be used

9. CONFORMITY - APPROVALS

Approvals in process: BSI