



BTicino Australia

Head Office, Sydney

Unit 99, 79-99 St Hilliers Road
Auburn NSW 2144
PO Box 6245
Silverwater NSW 1811
Ph: +61 2 8719 4333
Fax: +61 2 8719 4345
www.bticino.com.au

Sales Enquiries:
1300 bticino (1300 284 246)

HPM Legrand New Zealand

106 - 124 Target Road
Glenfield, Auckland
Ph: +64 9 442 0800
Fax: +64 9 442 0803
www.bticino.co.nz

Sales Enquiries:
0800 235 347

bticino

2 WIRE SYSTEM

Door Entry Systems

The simplest solution for all
installations



GENERAL CATALOGUE 2010

**2 WIRE
SYSTEM**



SIMPLICITY
Creating a 2 WIRE system
can be as simple as
installing a KIT.





CONTENTS

GENERAL FEATURES

2 Wire System - The simplest solution for all installations	4
Your job is easier	6
Saving time and getting more	8
The customer is always happy about your job	10
You always have the solution to your customer's needs	12
Wiring	14
The configuration	16

DOOR ENTRY SYSTEM KITS

Colour video kits - Handsfree	18
Colour video kits	20
B&W video kits	22
General wiring for 2 Wire Video Kits	24
Installation example using compatible 2 Wire accessories on a 2 Wire Kit	25
Audio kits	26
Wiring diagrams for audio kits	27

MULTI APARTMENT SELECTION TABLES

Video & audio handsets	28
System composition tables - Pushbutton call - Video 2 Wire system - SFERA modular entrance panel	29
Audio handsets	30
System composition tables - Pushbutton call - Audio 2 Wire system - SFERA modular entrance panel	31
Video & audio handsets	32
System composition tables - Pushbutton call - Digital call - Video 2 Wire system - SFERA modular entrance panel	33
Audio handsets	34
System composition tables - Pushbutton call - Digital call - Audio 2 Wire system - SFERA modular entrance panel	35

WIRING DIAGRAMS

Audio 2 Wire	36
Video 2 Wire	39
Video 2 Wire system	41

AUXILIARY SERVICES DOOR LOCK CONTROL

Auuxiliary services door lock control	44
Configuration	45
Auuxiliary services door lock control	46
Auuxiliary services staircase light and door lock control with 346833	47

DIMENSIONAL DATA

Entrance panels	48
Handsets	51

CABLE REQUIREMENTS

General rules for installation	54
--------------------------------	----

ACCESSORIES

2 Wire door entry kit accessories	55
SFERA entrance panels - mechanics and function modules	56
SFERA entrance panels - vandal-resistant front covers	57
SFERA entrance panels - modular front covers	57
SFERA entrance panels - monobloc front covers	58
Linea 200 entrance panels	59
POLYX and PIVOT handsets	60
SWING handsets	61
SPRINT handsets	61
Accessories for PIVOT and SPRINT	62
Melodic bells	62
Cameras	63

NUMERIC INDEX

Numeric index	64
---------------	----



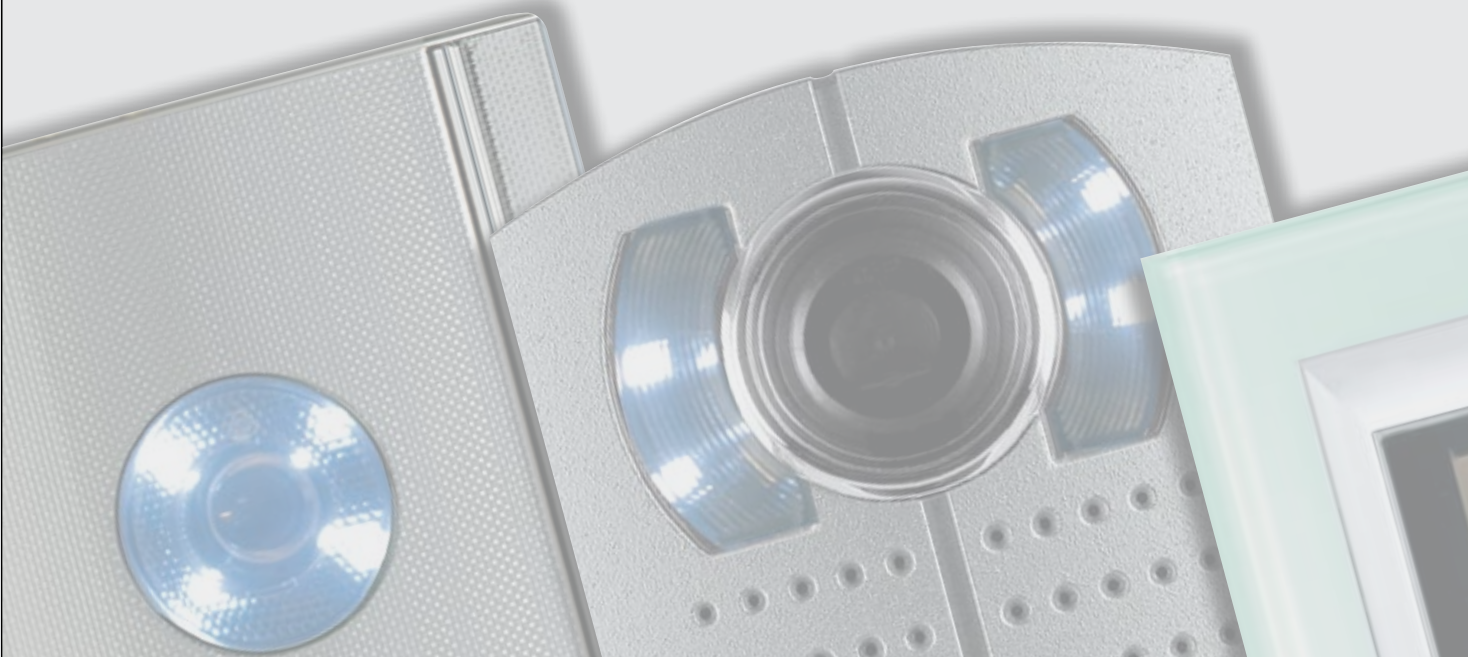
2 WIRE SYSTEM

The simplest solution for all installations

The 2 wire system lets you create any type of system in an easy, quick and intuitive way, whether it is for a large house or for apartment blocks.

■ YOUR JOB IS EASIER

The 2 wire system technology enables you to achieve a system in a house or flat with ease.





■ **SAVING TIME AND GETTING MORE**

A 2 wire system can be created easily and quickly: no more errors will be made, hence saving time on your installations.

■ **THE CUSTOMER IS ALWAYS HAPPY WITH YOUR JOB**

Bticino provides the 2 wire system with a wide range of handsets and entrance panels. You can offer your customer audio, video, colour or black and white solutions.

■ **YOU ALWAYS HAVE THE SOLUTION TO YOUR CUSTOMER'S NEEDS**

You can extend the system with all the MY HOME functions with the same methods and devices used for the 2 WIRE system.



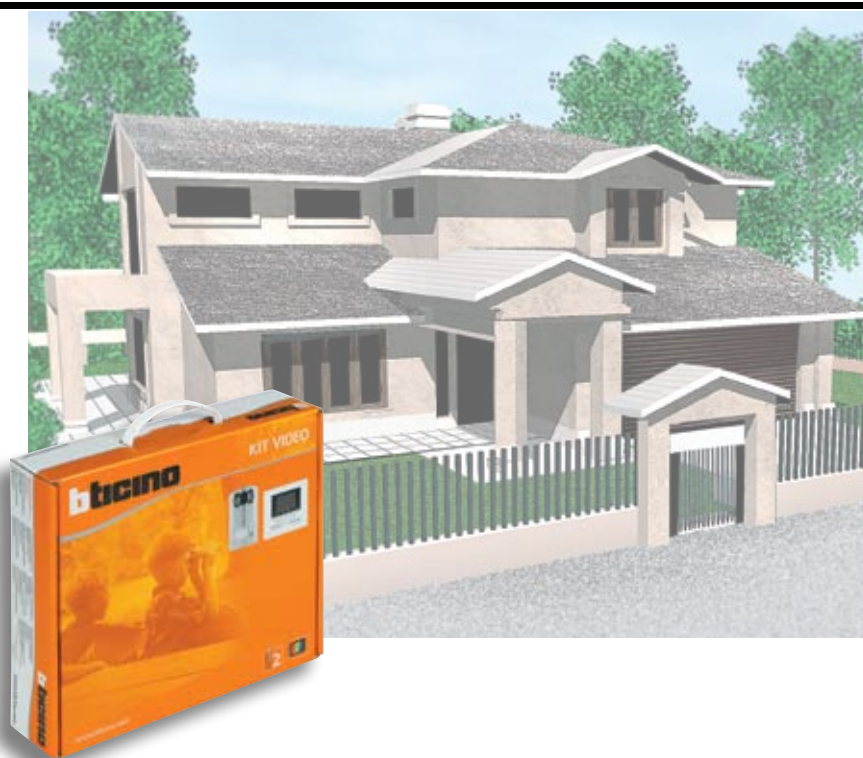
Your job is easier

The 2 WIRE system technology enables you to achieve a system in a large house or in a large block of flats with ease.



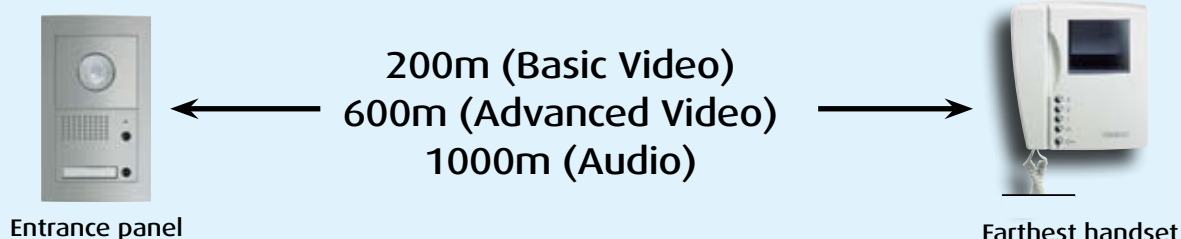
SIMPLICITY

Creating a 2 WIRE system can be as simple as installing a Kit, or use the selection charts on P28-35 for installations containing 3 or more Apartments.



HIGH PERFORMANCE

The 2 WIRE system lets you create any type of system, including systems over large distances.



THE SYSTEM MAY INCLUDE UPTO:

VIDEO SYSTEM KITS ⁽¹⁾

- 1 House or Apartment
- 5 Internal panels per house or apartment
- 16 Video Entrance Panels or CCTV Cameras

VIDEO SYSTEM BASIC ⁽²⁾

- 64 Apartments
- 4 Risers
- 3 Internal Panels per Apartment
- 15 Video Entrance Panels or CCTV Cameras

VIDEO SYSTEM ADVANCED ⁽³⁾

- 3900 Apartments
- 39 Risers
- 20 Internal Handsets per apartments
- 96 Entrance Panels
- 15 Entrance Panels per Apartment

AUDIO SYSTEM KITS ⁽¹⁾

- 1 House or Apartment
- 5 Internal panels per house or apartment
- 9 Audio Entrance Panels

AUDIO SYSTEM BASIC ⁽²⁾

- 100 Apartments
- 4 Risers
- 3 Internal Handsets per Apartment
- 9 Audio Entrance Panels

AUDIO SYSTEM ADVANCED ⁽³⁾

- 3900 Apartments
- 39 Risers
- 20 Internal Handsets per apartments
- 96 Entrance Panels
- 15 Entrance Panels per Apartment

■ ⁽¹⁾ Single Family Systems made with standard kits plus additional internal panels

■ ⁽²⁾ Basic Systems are created from selection tables (See P28-35) and consist of 3 or more apartments

■ ⁽³⁾ Advanced Systems are created using additional power supplies and interfaces, please see Bticino Sales staff for correct design and list of items

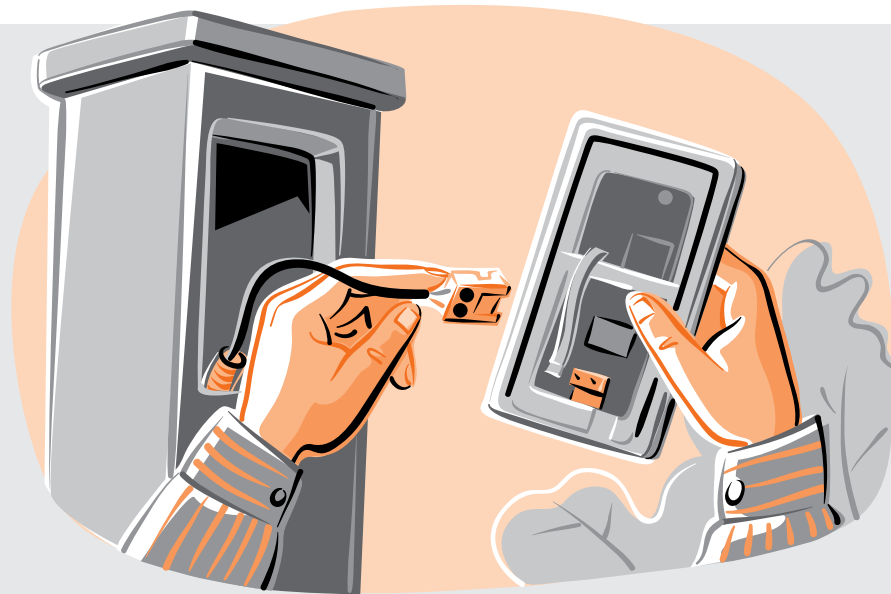
Saving time and getting more

A 2 WIRE system can be created easily and quickly: no more errors will be made, hence saving time on your installations.



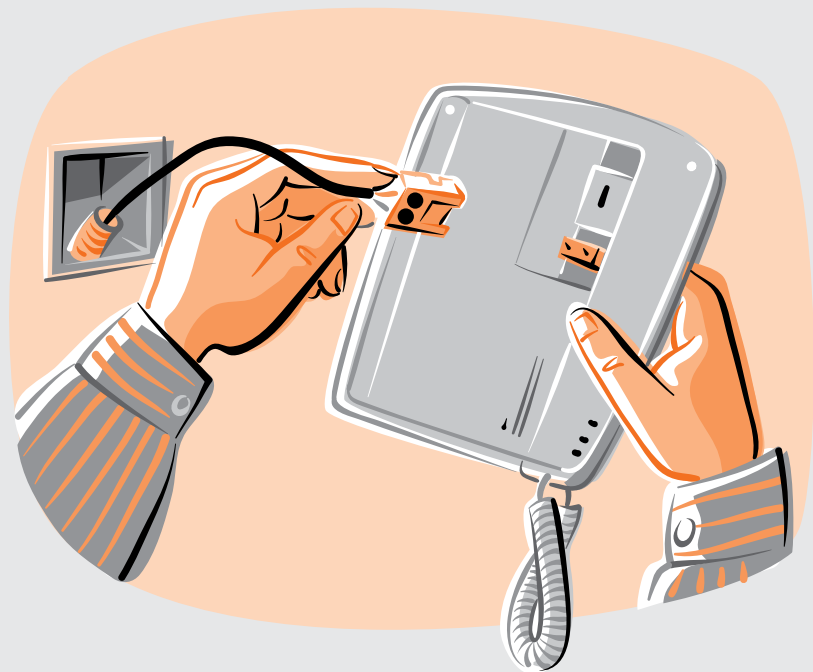
THE 2 WIRE SYSTEM IS EASY TO LEARN AND EVEN EASIER TO INSTALL WITH ITS 2 SIMPLE PRINCIPLES:

- The wiring is set up with unpolarised connections on the BUS, this simplifies the installation of the system and prevents the possibility of making mistakes.
- The simple and intuitive configuration of the system lets you assign an address to each component in an easy, quick and safe way.



- **Entrance Panel**
Entrance Panels (EP) can be Audio, Video, Colour or Black & White devices

- **The BUS**
The BUS is the electrical conductor (cable) that makes the connection between the devices



- **Internal Panel**
Internal Panels (IP) can be Audio, Video, Colour or Black & White devices

The customer is always happy about your job

Bticino provides the 2 WIRE system with a wide range of handsets and entrance panels.

You can offer your customer audio, video, colour or black and white solutions.

You can use the most suitable entrance panel for your building requirements.



VIDEO ENTRANCE PANELS

■ SFERA MODULAR



■ SFERA MONOBLOC (MB)



■ LINEA 2000



■ LINEA 2000 METAL



AUDIO ENTRANCE PANELS

■ SFERA MODULAR



■ SFERA MONOBLOC (MB)



■ LINEA 2000



■ LINEA 2000 METAL



YOU CAN OFFER YOUR CUSTOMER A WIDE RANGE OF INTERNAL PANELS

- AUDIO
- VIDEO with a colour or black and white screen
- HANDS-FREE SPEAKER or with traditional handset

■ POLYX



■ PIVOT



■ SWING



■ SPRINT



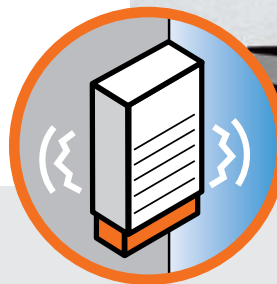
You always have the solution to your customer's needs

You can extend the kits with all the MY HOME functions using the same methods and devices as used for the 2 WIRE system.

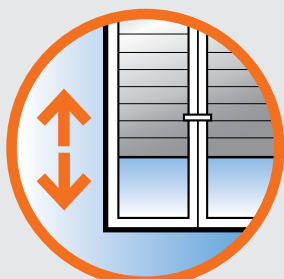


THE 2 WIRE VIDEO DOOR-ENTRY SYSTEM CAN BE THE STARTING POINT FOR A 'MY HOME' INSTALLATION. USING CONFIGURATORS AND, IN SOME INSTANCES, COMMON DEVICES, YOU CAN:

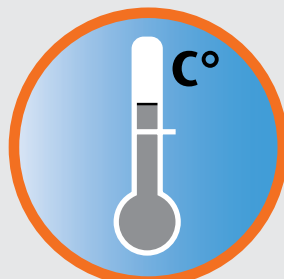
- Provide your customer with more safety by installing cameras for burglar alarm systems and CCTV systems, these additional cameras can be viewed on internal monitors connected to the Door Entry System.



- Provide your customer with more comfort by creating a lighting and automation system as well as a sound system and a temperature control system



Blinds Control



Temperature Control



Distributed Audio



Lighting Control

The video handset is evolving and becoming the control centre of your house; it can be used to control and monitor all the MY HOME functions using the icons.



Wiring

Unpolarised connections on the BUS means simple and quick error-proof connections



■ Video handset (handsfree)



■ Video handset



■ Audio handset



In-Out connection

■ Entrance panel



UNPOLARISED CONNECTIONS FOR THE BUS SYSTEM

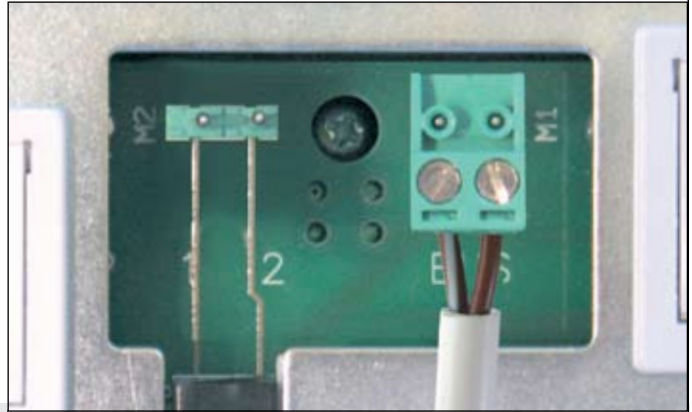
- 2 WIRE cabling is simple and quick; it is easy to learn and the unpolarised connections eliminate the risk of error.

WORKSITE CONVENIENCE AND SAFETY WITH THE PLUG-IN CONNECTOR TERMINAL

- It will be impossible to damage and dirty the devices: with the plug-in connector terminal it is possible to pre-wire the system and install handsets and entrance panels on completion of the building work
- The plug-in connector terminal enables you to connect the cable easily and quickly.

QUICK WIRING WHEN RETROFITTING WITH EXISTING CONDUITS AND CABLES

- You can feed the 2 WIRE cable into the existing conduits without any masonry work or, in more critical cases, you can use the existing cables without pulling new ones.



QUICK AND EASY TO FIT



The configuration

The configuration assigns a progressive address to the device within the system and programmes it in a simple, quick and intuitive way.



Entrance panel



Rear view



Configurator socket



Handset



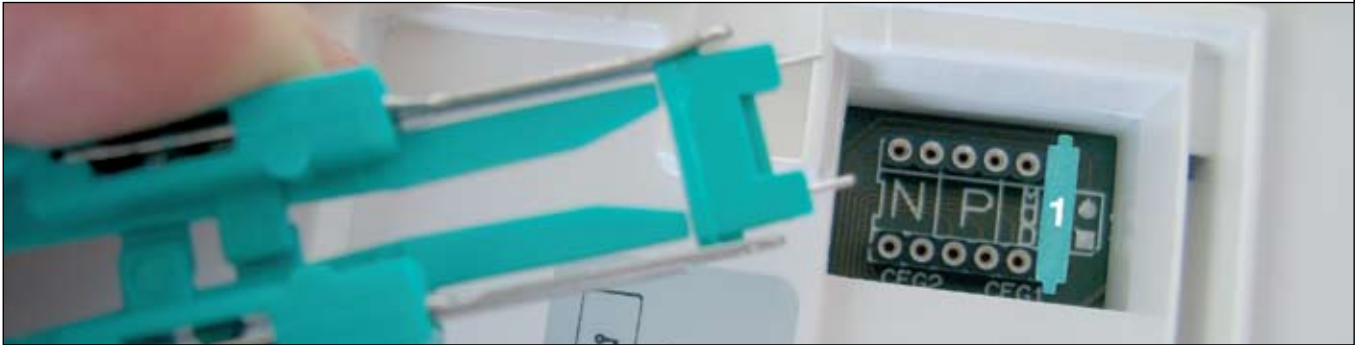
Rear view



Configurator socket

CONFIGURATION IS SIMPLE AND QUICK

- The devices can be configured at your company by one person before being taken to the worksite; in fact, in order to configure them, they do not need to be powered or connected to the system.



CONFIGURATION IS LOGICAL AND INTUITIVE

- A progressive number assigns the address to the devices within the system
- A well-defined and specific number assigns the functions to the device.

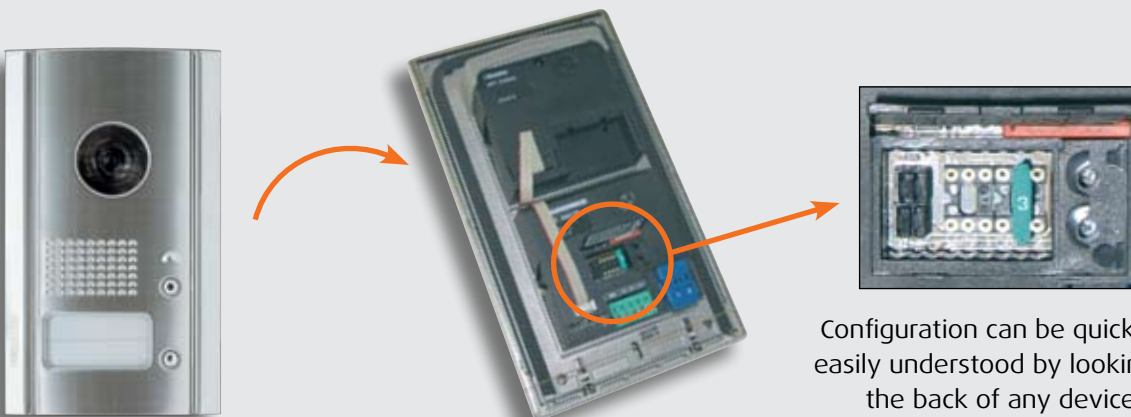
P	N	T	S
○	○	○	○
○	○	3	○
○	○	○	○

E.g. Entrance Panel Configuration: T=3
the entrance panel controls the lock for 3 Seconds

N	P	MOD
○	○	○
7	○	1
○	○	○

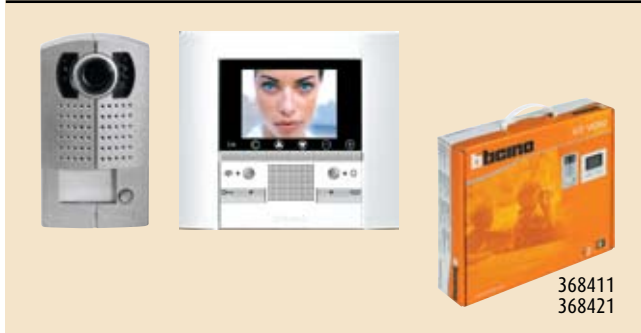
E.g. Handset Configuration: N=7 and MOD=1
the handset is number 7 and it is programmed in mode 1

- P = Entrance Panel Address
- N = Handset Address
- T = Door Lock Activation Time
- S = Single Family or Multi Apartment System
- MOD = Mode of operation



Configuration can be quickly & easily understood by looking at the back of any device

Colour Video Kits - Handsfree



SURFACE MOUNT ENTRY PANEL

Item	Description
368411	Kit 2 Wire - Colour, Polyx Display - L2K Metal, 1 Pushbutton
368421	Kit 2 Wire - Colour, Polyx Display - L2K Metal, 2 Pushbutton
Additional Entrance Panels:	
342991	Additional entrance panel - 1 Pushbutton for 368411
342992	Additional entrance panel - 2 Pushbutton for 368421



RECESSED ENTRY PANEL

Item	Description
368511	Kit 2 Wire - Colour, Polyx Display - MB Sfera, 1 Pushbutton
368521	Kit 2 Wire - Colour, Polyx Display - MB Sfera, 2 Pushbutton
Additional Entrance Panel Components:	
342550	Camera Module - Colour
342170	Audio Module
331120	Frame & Back Box 2M
333814	1 Pushbutton Cover MB Sfera for 368511
333824	2 Pushbutton Cover MB Sfera for 368521

ADDITIONAL ACCESSORIES

Item	Description
344162	Polyx Display, 3.5" Colour Handsfree
346230	Additional Door Lock Relay
346200	Auxiliary Relay
306064	Configuration Kit (up to 5 Handsets)
F441	Audio Video node for 3 or more entrance panels

■ Other Accessories see Pages 55-63



POLYX VIDEO DISPLAY

- Dimension: 168 x 151 x 27.4mm
- Colour Display LCD/TFT 3.5"
- Actual Size

344162

Colour Video Kits



SURFACE MOUNT ENTRY PANEL

Item	Description
367511	Kit 2 Wire - Colour Swing - L2K 1 Pushbutton
367521	Kit 2 Wire - Colour Swing - L2K 2 Pushbutton
Additional Entrance Panels:	
342991	Additional entrance panel - 1 Push button Colour for 367511
342992	Additional entrance panel - 2 Push button Colour for 367521



RECESSED ENTRY PANEL

Item	Description
369111	Kit 2 Wire - Colour Swing - Sfera 1 Pushbutton
369121	Kit 2 Wire - Colour Swing - Sfera 2 Pushbutton
Additional Entrance Panel Components:	
342550	Colour Camera Module
342170	Audio Module
331120	Frame & Back Box 2M
331221	Frame Surround 2M
332511	Camera Module Cover
332111	Audio Module Cover 1 Pushbutton for 369111
332121	Audio Module Cover 2 Pushbutton for 369121



ACCESSORIES

Item	Description
344824	Swing Colour Monitor
344804	Swing B&W Monitor
344704	Swing Audio Handset
346230	Additional Door Lock Relay
346200	Auxiliary Relay
306064	Configuration Kit (up to 5 handsets)

Other Accessories see Pages 55-63

SWING MONITOR

- Dimension: 210 x 215 x 56mm
- Ringer Volume Control & Exclusion
- Programmable Pushbuttons
- Contrast & Brightness Adjustment
- 4" Display

SWING AUDIO HANDSET

- Dimension: 90 x 215 x 56mm
- Ringer Volume Control & Exclusion
- Programmable Pushbuttons



342991

LINEA 2000 METAL

- Dimension: 106 x 185 x 35mm
- Surface mount
- Speaker & Microphone Volume Control
- Blue backlight label holder
- IP44
- Actual size

B&W Video Kits



SURFACE MOUNT ENTRY PANEL

Item	Description
365311	Kit 2 Wire - B&W Sprint - Linea 2000 1 Push button
Additional Entrance Panel:	
342951	Additional Entrance Panel - 1 Pushbutton FOR 365311
344342	Additional Sprint Video Handset
344212	Additional Sprint Audio Handset
Note:	Intercommunication is not available on Sprint Video & Audio Handsets



SURFACE MOUNT ENTRY PANEL

Item	Description
367611	Kit 2 Wire - B&W Swing - L2K 1 Pushbutton
367621	Kit 2 Wire - B&W Swing - L2K 2 Pushbutton
Additional Entrance Panels:	
342981	Additional entrance panel - 1 Pushbutton B&W for 367611
342982	Additional entrance panel - 2 Pushbutton B&W for 367621



RECESSED ENTRY PANEL

Item	Description
367411	Kit 2 Wire - B&W Swing - Sfera 1 Pushbutton
367421	Kit 2 Wire - B&W Swing - Sfera 2 Pushbutton
Additional Entrance Panel Components:	
342550	Colour Camera Module
342170	Audio Module
331120	Frame & Back Box 2M
331221	Frame Surround 2M
332511	Camera Module Cover
332111	Audio Module Cover 1 Pushbutton for 367411
332121	Audio Module Cover 2 Pushbutton for 367421

ACCESSORIES

Item	Description
344804	Swing B&W Monitor
344704	Swing Audio Handset
346230	Additional Door Lock Relay
346200	Auxiliary Relay
306064	Configuration Kit (upto 10 handsets)

Other Accessories see Pages 55-63



344804

SWING MONITOR

- Dimension: 210 x 215 x 56mm
- Ringer Volume Control & Exclusion
- Programmable Pushbuttons
- Contrast & Brightness Adjustment
- 4" Display
- Image 3/4 Size

SWING AUDIO HANDSET

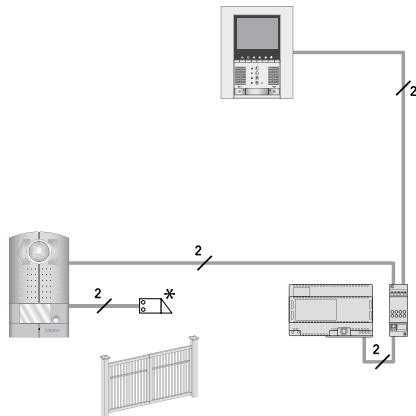
- Dimension: 90 x 215 x 56mm
- Ringer Volume Control & Exclusion
- Programmable Pushbuttons



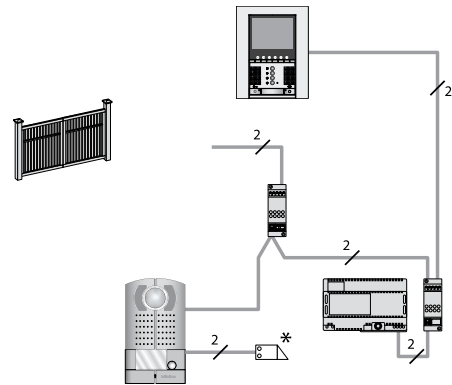
344704

General Wiring for 2 Wire Video Kits

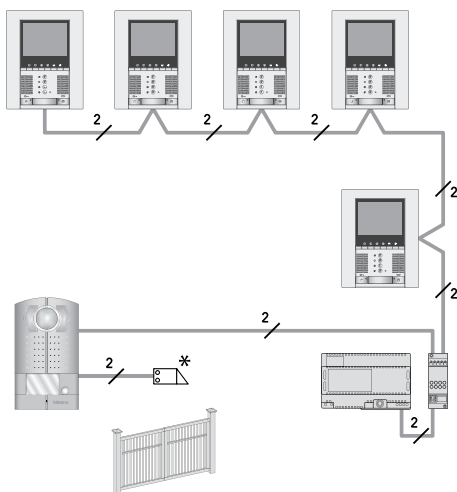
STANDARD KIT INSTALLATION



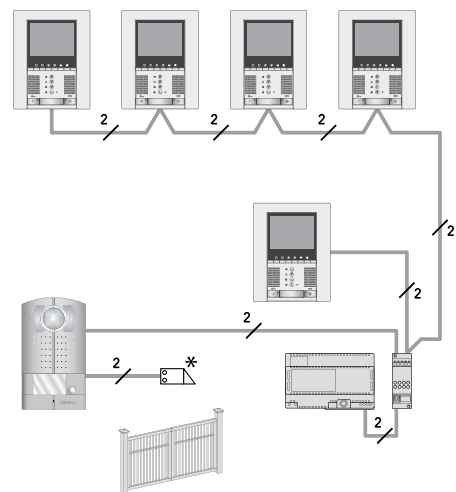
INSTALLATION WITH ADDITIONAL DOOR LOCK RELAY



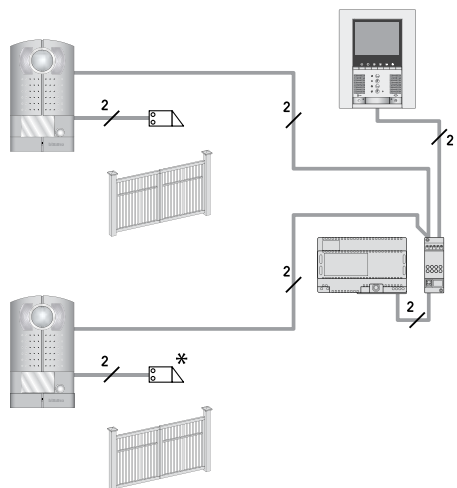
INSTALLATION WITH ADDITIONAL INTERNAL UNITS (MAX. 5)



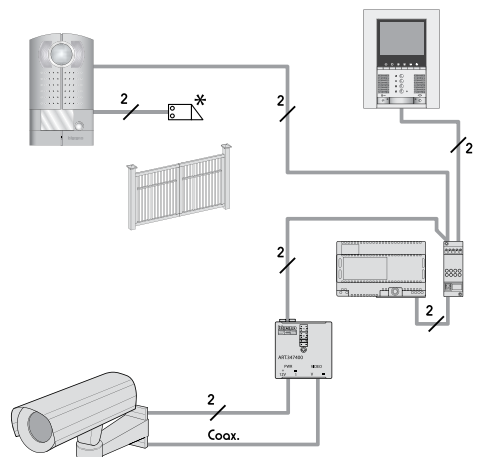
INSTALLATION USING 'STAR' WIRING



INSTALLATION WITH 2 ENTRANCE PANELS

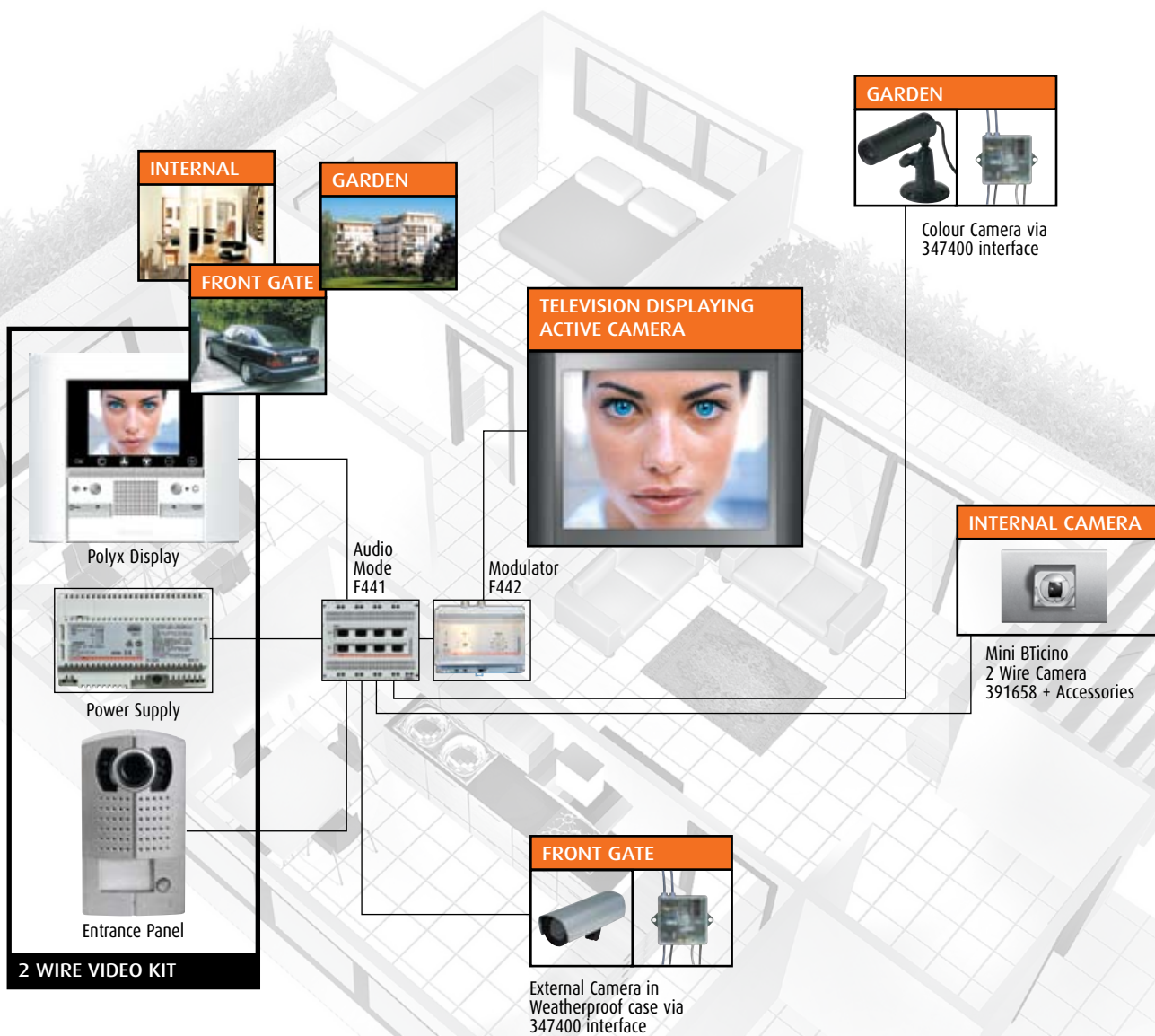


INSTALLATION WITH ADDITIONAL CCTV CAMERA



* Door strike not included in Kits

Installation Example using Compatible 2 Wire Accessories on a 2 Wire Kit



ACCESSORIES USED

F441 - Audio Video Node for 3 or more entrance panels or cameras

F442 - RF Modulator for display of active camera on Televisions N.B. S band only

347400 - Composite Video to 2 Wire Interface for connecting CCTV cameras to the 2 wire bus

391658 - Bticino 2 Wire technology camera with microphone (requires mounting frame & cover plate, see P46 for details)

Audio Kits



SURFACE MOUNT ENTRY PANEL

Item	Description
363811	Kit 2 Wire Analogue Audio 1 Pushbutton
331550	Additional handset for 363811 (Note: Additional handset requires additional cabling, please see P27 for wiring diagram)
Note: Single entry only, not compatible with any 2 Wire accessories	



SURFACE MOUNT ENTRY PANEL

Item	Description
368111	Kit 2 Wire - Audio Swing - L2K Metal 1 Pushbutton
368121	Kit 2 Wire - Audio Swing - L2K Metal 2 Pushbutton
Additional Entrance Panels	
342971	Additional Entrance panel 1 Pushbutton for 368111
342972	Additional Entrance panel 2 Pushbutton for 368121



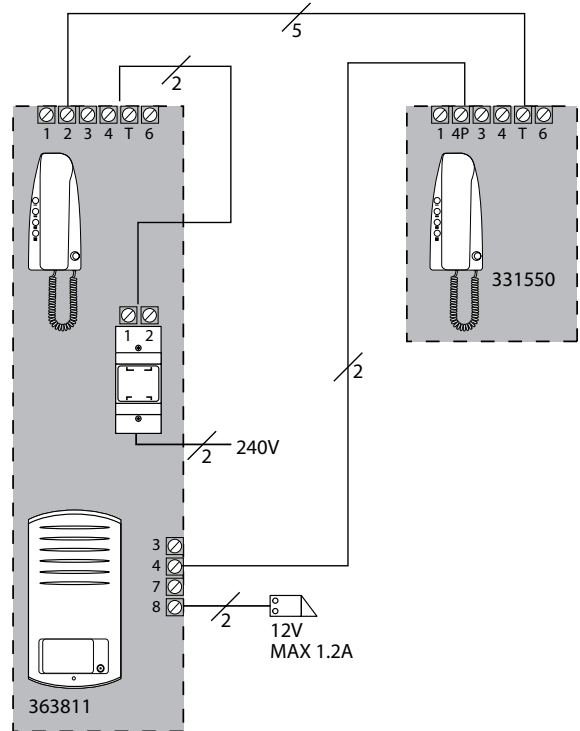
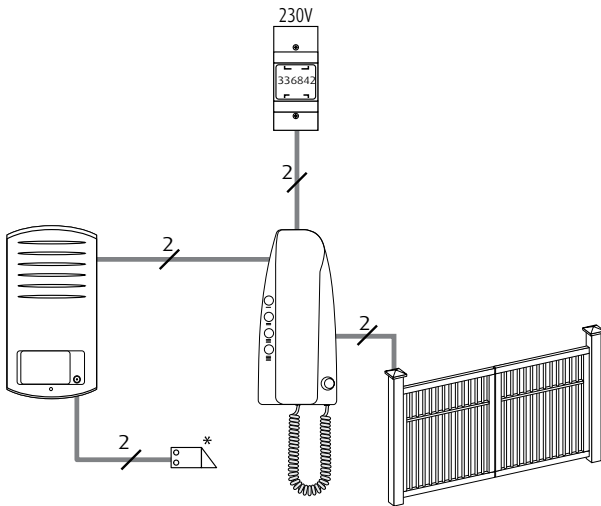
RECESSED ENTRY PANEL

Item	Description
367211	Kit 2 Wire - Audio Swing - Sfera 1 Pushbutton
367221	Kit 2 Wire - Audio Swing - Sfera 2 Pushbutton
Additional Entrance Panel Component	
342170	Audio Module
331110	Frame & Back Box 1M
331211	Frame Cover Plate 1M
332111	Audio Module Cover Plate 1 Pushbutton for 367211
332121	Audio Module Cover Plate 2 Pushbutton for 367221
Accessories	
344704	Audio handset - Swing
331411	Rain Shield 1M
331311	Surface Mount back Box 1M

Wiring Diagrams for Audio Kits

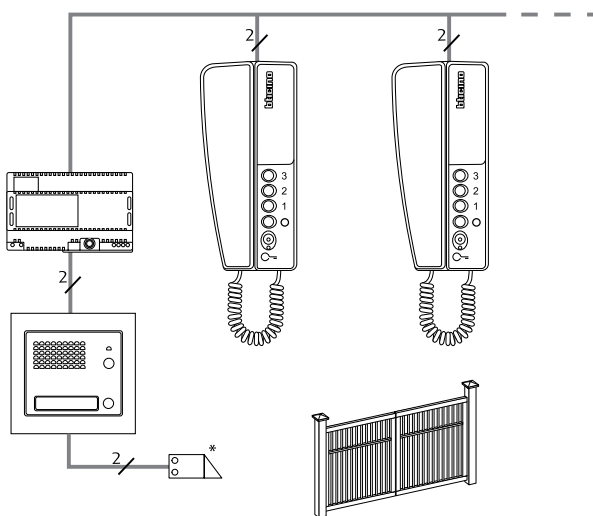
363811

363811 + 331550



Distance from Power Supply to Entrance Panel (A)	Type of Cable
60 m	(0,5 mm ²)
90 m	(0,75 mm ²)
110 m	(1 mm ²)

367211 & 367221



	0,28mm ²	0,5mm ²	1mm ²
DISTANCE A			
320m	180m	500m	
DISTANCE B			
200m	290m	500m	
DISTANCE C			
350m	500m	1000m	

SFERA Modular Entrance Panel Pushbutton Call



1 Pushbutton per Apartment

Video & Audio Handsets



344122 - Colour
344102 - B&W

PIVOT MONITOR

- Dimension: 210 x 210 x 68.5mm
- Volume Control - 3 Levels
- Selectable Bell Melody
- Contrast & Brightness Adjustment
- 4" Display



344032

PIVOT AUDIO HANDSET

- Dimension: 70 x 210 x 68.5mm
- Volume Control - 3 Levels
- Selectable Bell Melody



344824 - Colour
344804 - B&W

SWING MONITOR

- Dimension: 210 x 215 x 56mm
- Ringer Volume Control & Exclusion
- Programmable Pushbuttons
- Contrast & Brightness Adjustment
- 4" Display



344704

SWING AUDIO HANDSET

- Dimension: 90 x 215 x 56mm
- Ringer Volume Control & Exclusion
- Programmable Pushbuttons



344212

SPRINT AUDIO HANDSET

- Dimension: 101 x 216 x 56mm
- Economy Handset



344342 - B&W

SPRINT MONITOR

- Dimension: 180 x 210 x 61mm
- Economy B&W monitor
- 4" Display

System composition tables - Pushbutton Call Video 2 wire system - SFERA modular entrance panels

no. of calls	BOX + MODULE-HOLDER CHASSIS		SURROUND PLATES		CAMERA MODULE	FUNCTION MODULE + ACCESSORIES		MODULAR FRONT COVERS							POWER SUPPLY + VIDEO ADAPTER	VIDEO FLOOR DISTRIBUTION BLOCK*	VIDEO/AUDIO HANDSET SELECT FROM ABOVE (P.30)	
	331T20	331T30	331T21	331T31	331T21	342T70	342T40	346902	332511	332101	332111	332121	332231	332241	332911	346000	346830	346841
1	1		1		1	1		1		1					1		1	1
2	1		1		1	1		1		1	1				1		1	2
3		1		1	1	1		1	1			1			1		1	3
4		1		1	1	1		1	1				1		1		1	4
5		1		1	1	1		1		1					1		1	5
6		1		1	1	1		1		1	1				1		2	6
7	2		2		1	1		1	1			1			1		2	7
8	2		2		1	1		1	1				2		1		2	8
9	2		2		1	1		1		1			2		1		2	9
10	2		2		1	1		1		1	1		2		1		3	10
11		2		2	1	1		1	1			1		1		1	3	11
12		2		2	1	1		1	1				3		1		3	12
13		2		2	1	1		1		1			3		1		3	13
14		2		2	1	1		1		1	1		3		1		4	14
15		2		2	1	1		1	1			1		3		1	4	15
16		2		2	1	1		1	1				4		1		4	16
17		2		2	1	1		1		1			4		1		4	17
18		2		2	1	1		1	1		1		4		1		5	18
19		3		3	1	1		2	1		1		4		2		5	19
20		3		3	1	1		2	1		1		5		2		5	20
21		3		3	1	1		2	1		1		5		2		5	21
22		3		3	1	1		2	1		1		5		2		6	22
23		3		3	1	1		2	1		1		5		2		6	23
24		3		3	1	1		2	1		1		6		1		6	24
25		3		3	1	1		2	1		1		6		1		6	25
26		3		3	1	1		2	1		1		6		1		7	26



WARNING

- ▶ Add configurators to the system composition as required.
 - ▶ In colour video systems it is possible to install black and white PIVOT and SWING video handsets.
 - ▶ With combined systems (audio and video) the PIVOT audio handset Item 344032 and the SWING audio handset Item 344704 can be installed in parallel to the PIVOT and SWING video handsets.
- ※ Only required for Star Wiring installations

SFERA Modular Entrance Panel Pushbutton Call



■ 1 Pushbutton per Apartment

Audio Handsets



344032

PIVOT AUDIO HANDSET

- Dimension: 70 x 210 x 68.5mm
- Volume Control - 3 Levels
- Selectable Bell Melody



344704

SWING AUDIO HANDSET

- Dimension: 90 x 215 x 56mm
- Ringer Volume Control & Exclusion
- Programmable Pushbuttons



344212

SPRINT AUDIO HANDSET

- Dimension: 101 x 216 x 56mm
- Economy Handset

System composition tables - Pushbutton Call Audio 2 wire system - SFERA modular entrance panels

no. of calls	BOX + MODULE-HOLDER CHASSIS		SURROUND PLATES		SPEAKER MODULE + POWER SUPPLY		PUSHBUTTON MODULE + ACCESSORIES		MODULAR FRONT COVERS						AUDIO HANDSETS					
	331110	331120	331130	331211	331221	331231	342170	346000	342240	346902	346903	332101	332111	332121	332231	332241	332911	344032	344704	344212
1	1			1			1	1				1						1		1
2	1			1			1	1				1		1				2		2
3		1			1		1	1	1			1			1			3		3
4		1			1		1	1	1			1				1		4		4
5		1			1		1	1	1			1				1		5		5
6		1			1		1	1	1			1				1		6		6
7			1			1	1	1	2			1				1		7		7
8		1			1		1	1	2			1				2		8		8
9		1			1		1	1	2			1				2		9		9
10			1			1	1	1	2			1				2		10		10
11		2			2		1	1	3			1				2		11		11
12		2			2		1	1	3			1				3		12		12
13		2			2		1	1	3			1				3		13		13
14		2			2		1	1	3			1				3		14		14
15			2			2	1	1	4			1				3		15		15
16			2			2	1	1	4			1				4		16		16
17			2			2	1	1	4			1				4		17		17
18			2			2	1	1	4			1				4		18		18
19			2			2	1	1	5			1				4		19		19
20			2			2	1	1	5			1				5		20		20
21			2			2	1	1	5			1				5		21		21
22			2			2	1	1	5			1				5		22		22
23			3			3	1	1	6			2				5		23		23
24			3			3	1	1	6			2				6		24		24
25			3			3	1	1	6			2				6		25		25
26			3			3	1	1	6			2				6		26		26

To be used after the 26th call



WARNING

- ▶ Add configurators to the system composition as required.
- ▶ Additional Accessories, See P.....

SFERA Modular Entrance Panel Digital Call



- Direct call to Apartment simply scroll for Tennants name or key in the Apartment number and press the Call button.

Video & Audio Handsets



PIVOT MONITOR

- Dimension: 210 x 210 x 68.5mm
- Volume Control - 3 Levels
- Selectable Bell Melody
- Contrast & Brightness Adjustment
- 4" Display

344122 - Colour
344102 - B&W



PIVOT AUDIO HANDSET

- Dimension: 70 x 210 x 68.5mm
- Volume Control - 3 Levels
- Selectable Bell Melody

344032



SWING MONITOR

- Dimension: 210 x 215 x 56mm
- Ringer Volume Control & Exclusion
- Programmable Pushbuttons
- Contrast & Brightness Adjustment
- 4" Display

344824 - Colour
344804 - B&W



SWING AUDIO HANDSET

- Dimension: 90 x 215 x 56mm
- Ringer Volume Control & Exclusion
- Programmable Pushbuttons

344704



SPRINT MONITOR

- Dimension: 180 x 210 x 61mm
- Economy B&W monitor
- 4" Display

344342- B&W






SPRINT AUDIO HANDSET

- Dimension: 101 x 216 x 56mm
- Economy Handset

344212

System composition tables - Digital Call Video 2 wire system - SFERA modular entrance panel

BOX + MODULE-HOLDER CHASSIS	SURROUND PLATES	CAMERA MODULE	FUNCTION MODULE + ACCESSORIES	MODULAR FRONT COVERS	POWER SUPPLY + VIDEO ADAPTER	VIDEO FLOOR DISTRIBUTION BLOCK	VIDEO/AUDIO HANDSET SELECT FROM ABOVE (P30) MAX. 3 PER APARTMENT**
							
		COLOUR 342550					
		B&W 342510					

no. of calls	331130	331231	342170	342600	332511	332101	332601	346000	346830	346841
1	1	1	1	1	1	1	1	1	1	1
2	1	1	1	1	1	1	1	1	1	2
3	1	1	1	1	1	1	1	1	1	3
4	1	1	1	1	1	1	1	1	1	4
5	1	1	1	1	1	1	1	1	1	5
6	1	1	1	1	1	1	1	1	1	6
7	1	1	1	1	1	1	1	1	1	7
8	1	1	1	1	1	1	1	1	1	8
9	1	1	1	1	1	1	1	1	1	9
10	1	1	1	1	1	1	1	1	1	10
11	1	1	1	1	1	1	1	1	1	11
12	1	1	1	1	1	1	1	1	1	12
13	1	1	1	1	1	1	1	1	1	13
14	1	1	1	1	1	1	1	1	1	14
15	1	1	1	1	1	1	1	1	1	15
16	1	1	1	1	1	1	1	1	1	16
17	1	1	1	1	1	1	1	1	1	17
18	1	1	1	1	1	1	1	1	1	18
19	1	1	1	1	1	1	1	1	1	19
20	1	1	1	1	1	1	1	1	1	20
21	1	1	1	1	1	1	1	1	1	21
22	1	1	1	1	1	1	1	1	1	22
23	1	1	1	1	1	1	1	1	1	23
24	1	1	1	1	1	1	1	1	1	24
n	1	1	1	1	1	1	1	1	1	n/4
64	1	1	1	1	1	1	1	1	1	16



WARNING

- ▲ Add configurators to the system composition as required.
- ▲ In colour video systems it is possible to install black and white PIVOT and SWING video handsets.
- ▲ With combined systems (audio and video) the PIVOT audio handset Item 344032 and the SWING audio handset Item 344704 can be installed in parallel to the PIVOT and SWING video handsets.
- ❖ Only required for Star Wiring Installations
- ❖❖ Please see Bticino Sales if more than 3 monitors are required per apartment

SFERA Modular Entrance Panel Digital Call



- Direct call to Apartment simply scroll for Tenants name or key in the Apartment number and press the Call button.

Audio Handsets



344032

PIVOT AUDIO HANDSET

- Dimension: 70 x 210 x 68.5mm
- Volume Control - 3 Levels
- Selectable Bell Melody



344704

SWING AUDIO HANDSET

- Dimension: 90 x 215 x 56mm
- Ringer Volume Control & Exclusion
- Programmable Pushbuttons



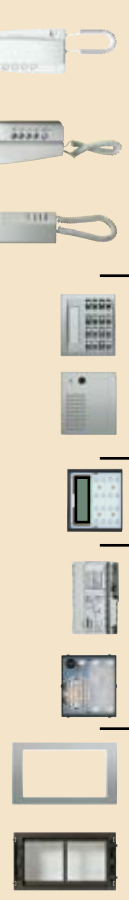
344212

SPRINT AUDIO HANDSET

- Dimension: 101 x 216 x 56mm
- Economy Handset

System composition tables - Digital Call Audio 2 wire system - SFERA modular entrance panels

no. of calls	BOX + MODULE- HOLDER CHASSIS		SURROUND PLATES		SPEAKER MODULE + POWER SUPPLY		FUNCTION MODULE		MODULAR FRONT COVERS		AUDIO HANDSETS MAX 3 PER APARTMENT**		
	331120	331221	342170	346000	342600	332101	332601	344032	344704	344212	PIVOT	SWING	SPRINT
1	1	1	1	1	1	1	1	1	1	1	1	1	1
2	1	1	1	1	1	1	1	1	1	1	2	2	2
3	1	1	1	1	1	1	1	1	1	1	3	3	3
4	1	1	1	1	1	1	1	1	1	1	4	4	4
5	1	1	1	1	1	1	1	1	1	1	5	5	5
6	1	1	1	1	1	1	1	1	1	1	6	6	6
7	1	1	1	1	1	1	1	1	1	1	7	7	7
8	1	1	1	1	1	1	1	1	1	1	8	8	8
9	1	1	1	1	1	1	1	1	1	1	9	9	9
10	1	1	1	1	1	1	1	1	1	1	10	10	10
11	1	1	1	1	1	1	1	1	1	1	11	11	11
12	1	1	1	1	1	1	1	1	1	1	12	12	12
13	1	1	1	1	1	1	1	1	1	1	13	13	13
14	1	1	1	1	1	1	1	1	1	1	14	14	14
15	1	1	1	1	1	1	1	1	1	1	15	15	15
16	1	1	1	1	1	1	1	1	1	1	16	16	16
17	1	1	1	1	1	1	1	1	1	1	17	17	17
18	1	1	1	1	1	1	1	1	1	1	18	18	18
19	1	1	1	1	1	1	1	1	1	1	19	19	19
20	1	1	1	1	1	1	1	1	1	1	20	20	20
21	1	1	1	1	1	1	1	1	1	1	21	21	21
22	1	1	1	1	1	1	1	1	1	1	22	22	22
23	1	1	1	1	1	1	1	1	1	1	23	23	23
24	1	1	1	1	1	1	1	1	1	1	24	24	24
n	1	1	1	1	1	1	1	1	1	1	n	n	n
64	1	1	1	1	1	1	1	1	1	1	64	64	64



WARNING
 Add configurators to the system composition as required.
 Additional Accessories, See P....
 Please see Biticino Sales if more than 3 monitors are required per apartment

WIRING DIAGRAMS - AUDIO 2 WIRE

DIAGRAM 1

ONE-FAMILY SYSTEM WITH 1 AUDIO ENTRANCE PANEL AND 5 HANDSETS IN PARALLEL AND INTERCOMMUNICATING

Legend

Ref.	Description
342170	speaker module
342240	pushbutton module
344032	PIVOT audio handset
346000	power supply
346200	actuator
346812	4-key accessory
L	staircase light
EP/S	SFERA entrance PANEL (main)
PS	door lock pushbutton
S1	electric door lock 18V 4A impulsive 250mA holding current

WARNING

- Configure and insert the Jumpers with the system SWITCHED OFF. Also every time the configuration is modified the power supply to the system must be switched off and on again, waiting about 1 minute.
- The intercom function is operational even with a lack of entrance panel connection.
- The intercom function can also be used with SWING audio handset.
- A** - Use of the actuator is necessary for the staircase light service or generic actuations. (see configuration actuator page).
- B** - SFERA pushbutton panels can be used to make the entrance panel.
- C** - Fit a "9" configurator into the "S" location on the speaker module for the general call; do not insert any configurator in N.
- D** - All the PIVOT audio handsets used in the intercommunication function must be fitted with Item 346812 and, in turn, configured with MOD=1.
- E** - To install alternative handsets to those indicated in the diagrams refer to "HANDSET VERSIONS" section.

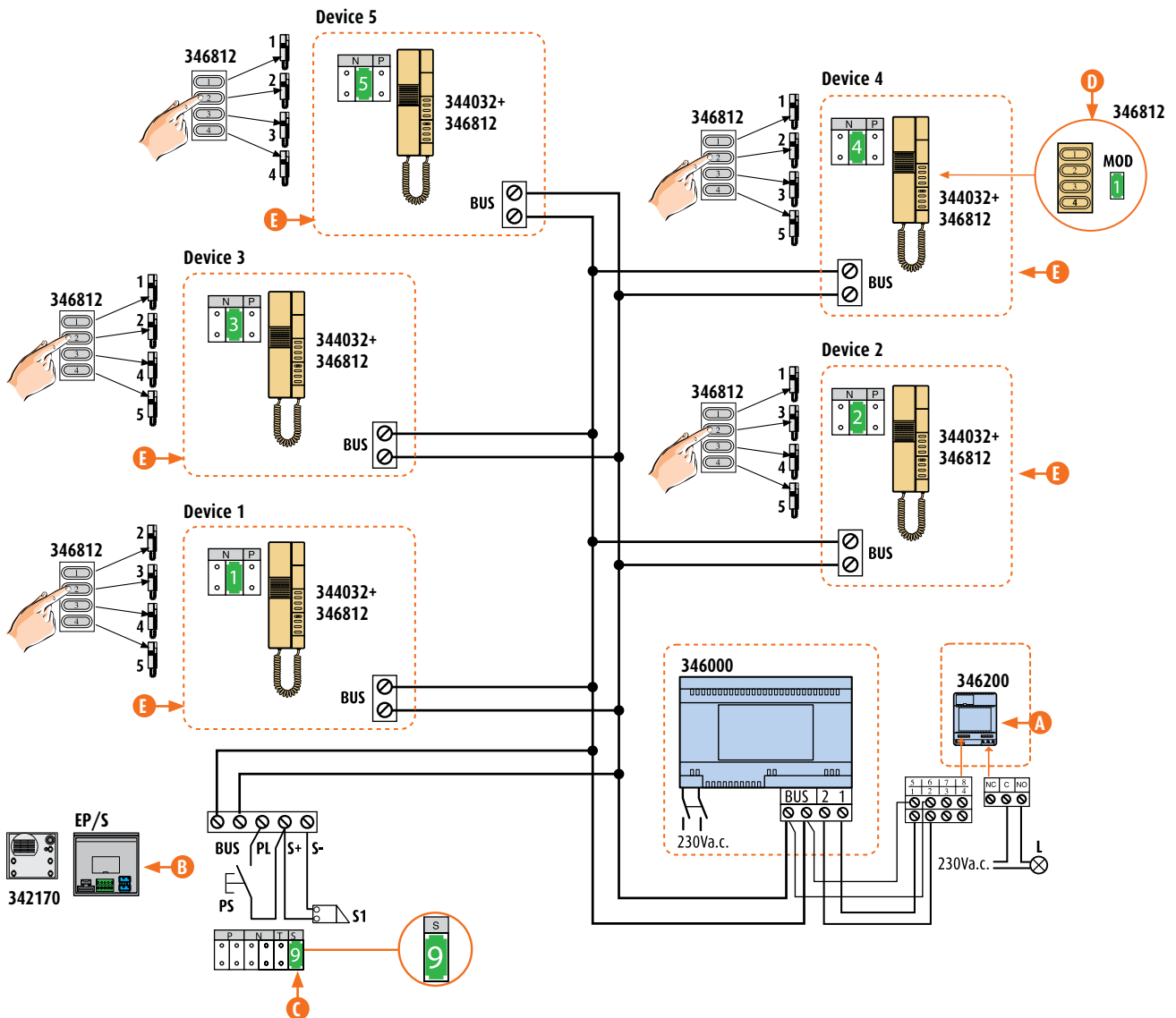


DIAGRAM 2

TWO-FAMILY SYSTEM, 1 EP AND 3 HANDSETS FOR APARTMENT WITH "INTERCOM BETWEEN APARTMENTS" FUNCTION

Legend

Ref.	Description
342170	speaker module
344032	PIVOT audio handset
346000	power supply
346812	4-key accessory
EP/S	SFERA entrance panel (main)
PS1	door lock pushbutton
S1	electric door lock 18V 4A impulsive 250mA holding current

To have the intercom function among apartments in two-family systems with SWING handsets configured with MOD = 53 (or 73)

WARNING

- Configure and insert the Jumpers with the system SWITCHED OFF. Also every time the configuration is modified the power supply to the system must be switched off and on again, waiting about 1 minute.
- The intercom function is operational even with a lack of entrance panel connection.
- **Intercom function between devices allows to call the devices of the same apartment or of another apartment.**
- A** - SFERA pushbutton panels can be used to make the entrance panel
- B** - All the PIVOT audio handsets used in the intercommunication function must be fitted with Item 346812 and, in turn, configured with MOD=7.
- C** - To install alternative handsets to those indicated in the diagrams refer to "HANDSET VERSIONS" section.

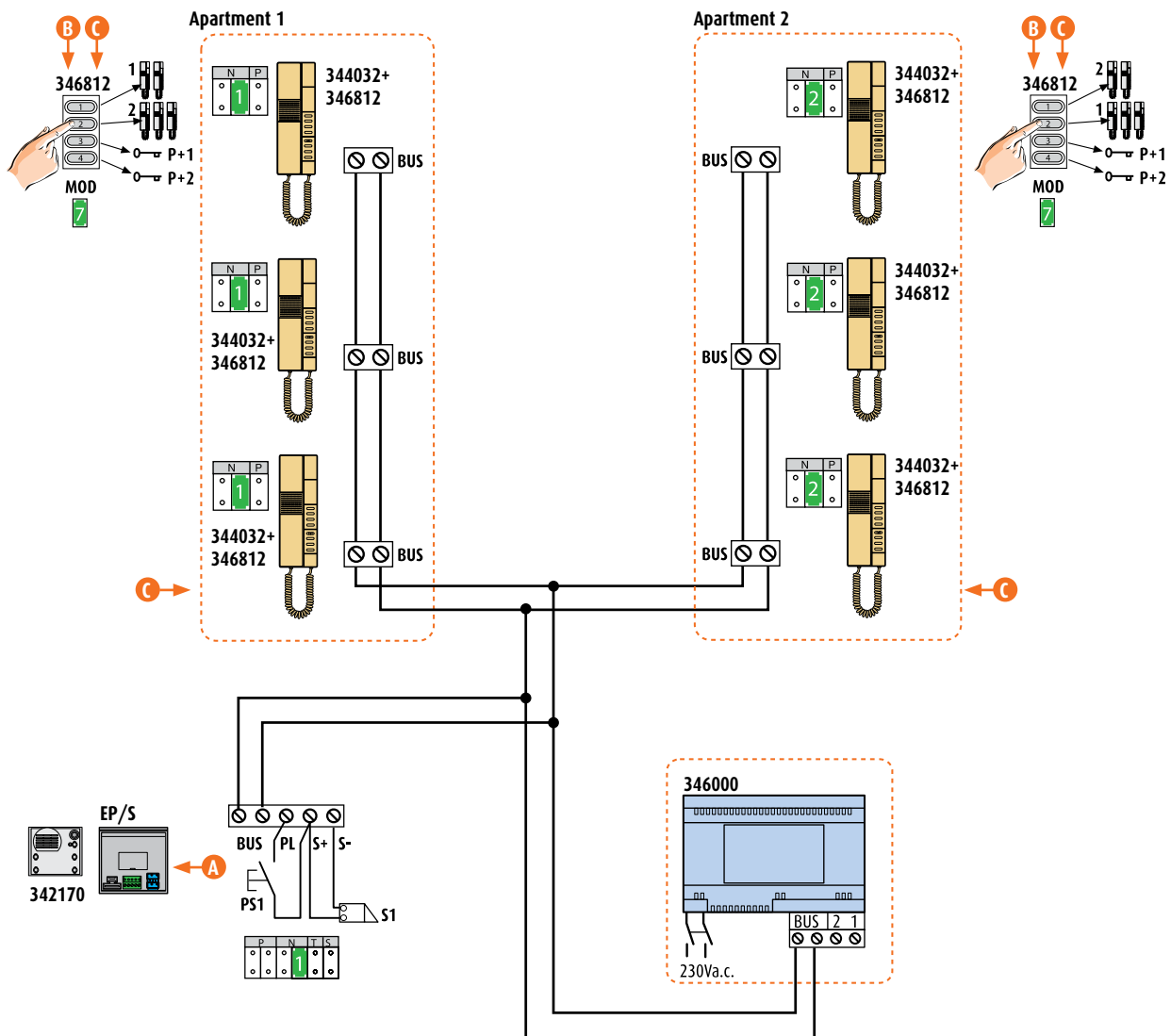


DIAGRAM 3

MULTI-FAMILY SYSTEM WITH 1 OR MORE MAIN EP, MAX. 100 HANDSETS

Legend

Ref.	Description
342170	speaker module
342240	pushbutton module
344032	PIVOT audio handset
346000	power supply
346200	actuator
346812	4-key accessory
L	staircase light
EP/S	SFERA entrance panel (main)
PS	door lock pushbutton
S1	electric door lock 18V 4A impulsive 250mA holding current

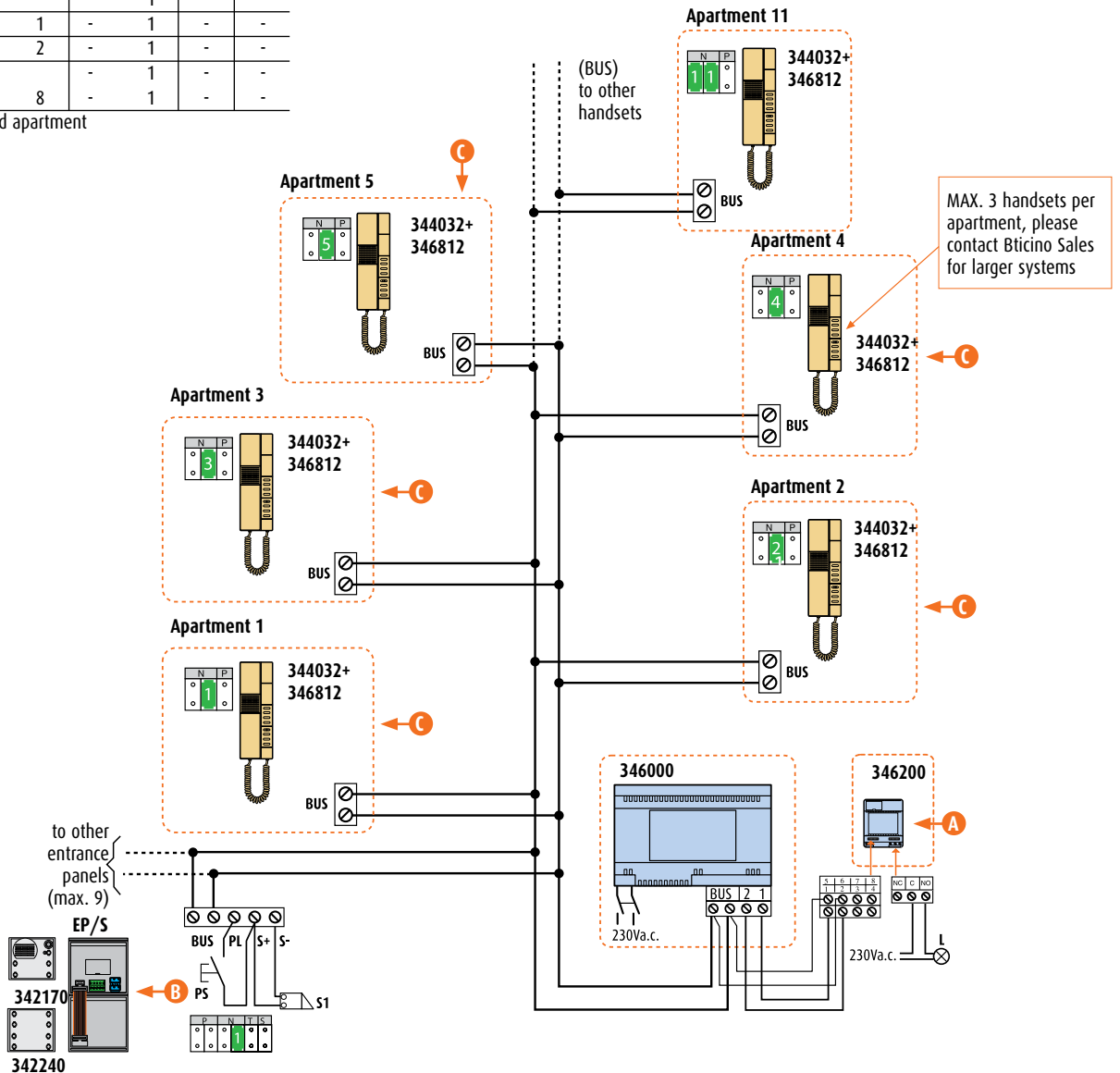
Entrance panel configuration

	P	N	T	S
EP0	-	-	-	1
EP1	-	1	-	1
EP2	-	2	-	1
---	-	-	-	1
EP8	-	8	-	1

N = first called apartment

WARNING

- Configure and insert the Jumpers with the system SWITCHED OFF. Also every time the configuration is modified the power supply to the system must be switched off and on again, waiting about 1 minute.
- A** - Use of the actuator is optional for the staircase light service or generic actuations. (see configuration actuator page).
- B** - SFERA pushbutton panels can be used to make the entrance panel.
- C** - To install alternative handsets to those indicated in the diagrams refer to "HANDSET VERSIONS" section.



WIRING DIAGRAMS - VIDEO 2 WIRE

DIAGRAM 4

ONE-FAMILY SYSTEM WITH 1 VIDEO ENTRANCE PANEL AND 5 HANDSETS IN PARALLEL AND INTERCOMMUNICATING

Legend

Ref.	Description
342170	speaker module
342550	colour camera module
344032	PIVOT audio handset
344122	PIVOT video handset
346000	power supply
346200	actuator
346812	4-key accessory
346830	video adapter
L	staircase light
EP/S	SFERA entrance panel (main)
PS	door lock pushbutton
S1	electric door lock 18V 4A impulsive 250mA holding current

NOTE: The entrance panels can also be made up of 12V d.c. camera and interface Item 347400 or 12Vd.c. camera, interface Item 347400 and audio entrance panel.

WARNING

- Configure the handsets starting from N = 1
- Configure and insert the Jumpers with the system SWITCHED OFF. Also every time the configuration is modified the power supply to the system must be switched off and on again, waiting about 1 minute.
- The Intercom function is operational even with a lack of entrance panel connection.
- The Intercom function can also be used with SWING, POLYX MEMORY STATION, AXOLUTE VIDEO STATION, AXOLUTE VIDEO DISPLAY, POLYX VIDEO DISPLAY audio and video handset.
- A** - Use of an actuator is required for the staircase light service or generic actuations.
- B** - SFERA pushbutton panels can be used to make the entrance panel.
- C** - On the back of the video or audio handset that ends the line, set the microswitch to the ON position.
- D** - Fit a "9" configurator into the "S" position on the speaker module for the general call; the handsets ring as with S = 0, do not insert configurators in N.
- E** - To install alternative handsets to those indicated in the diagrams refer to "HANDSET VERSIONS" section.
- F** - All the PIVOT audio and video handset involved in the intercommunicating function must be provided with the Item 346812, configured with MOD=1.

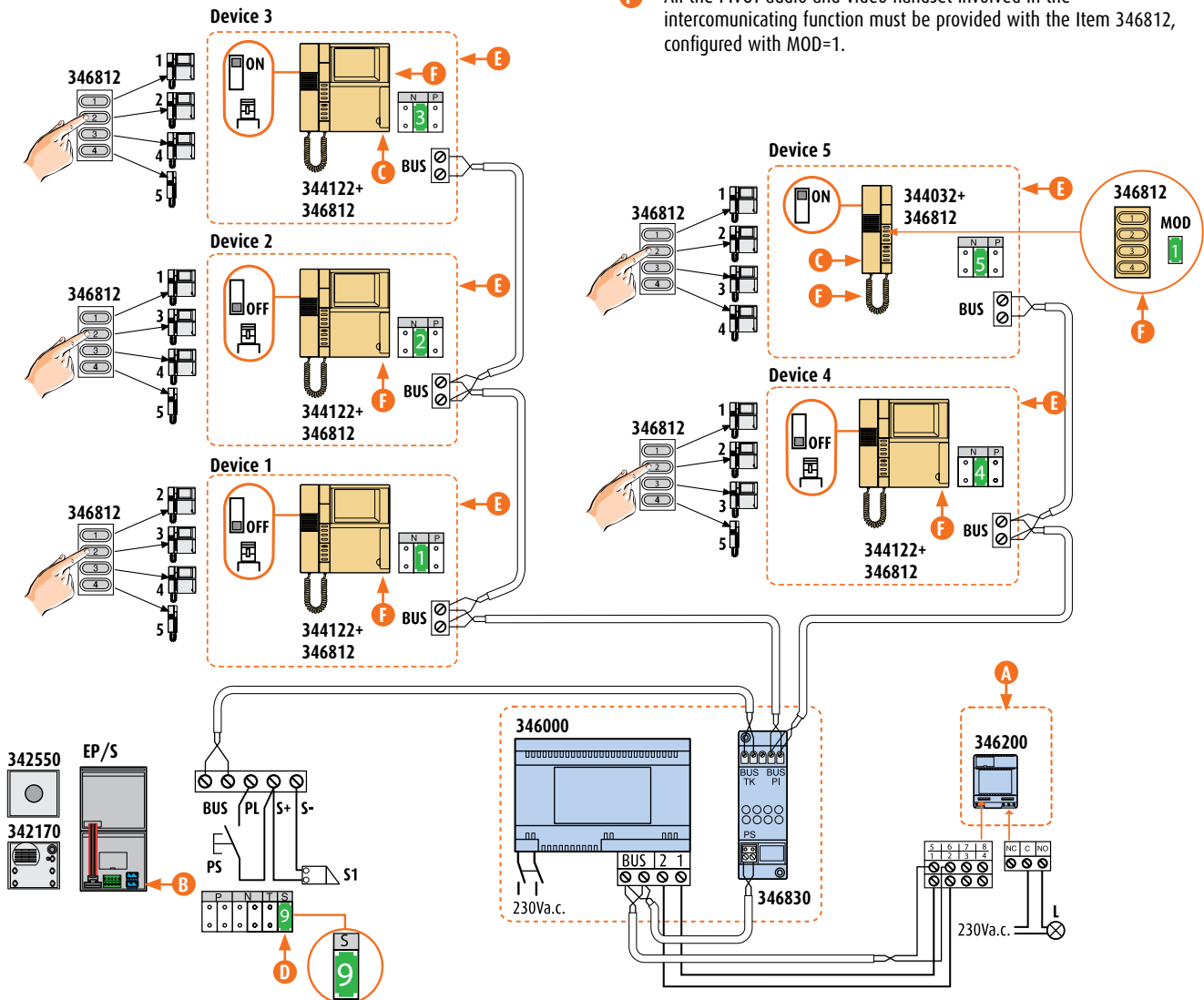


DIAGRAM 5

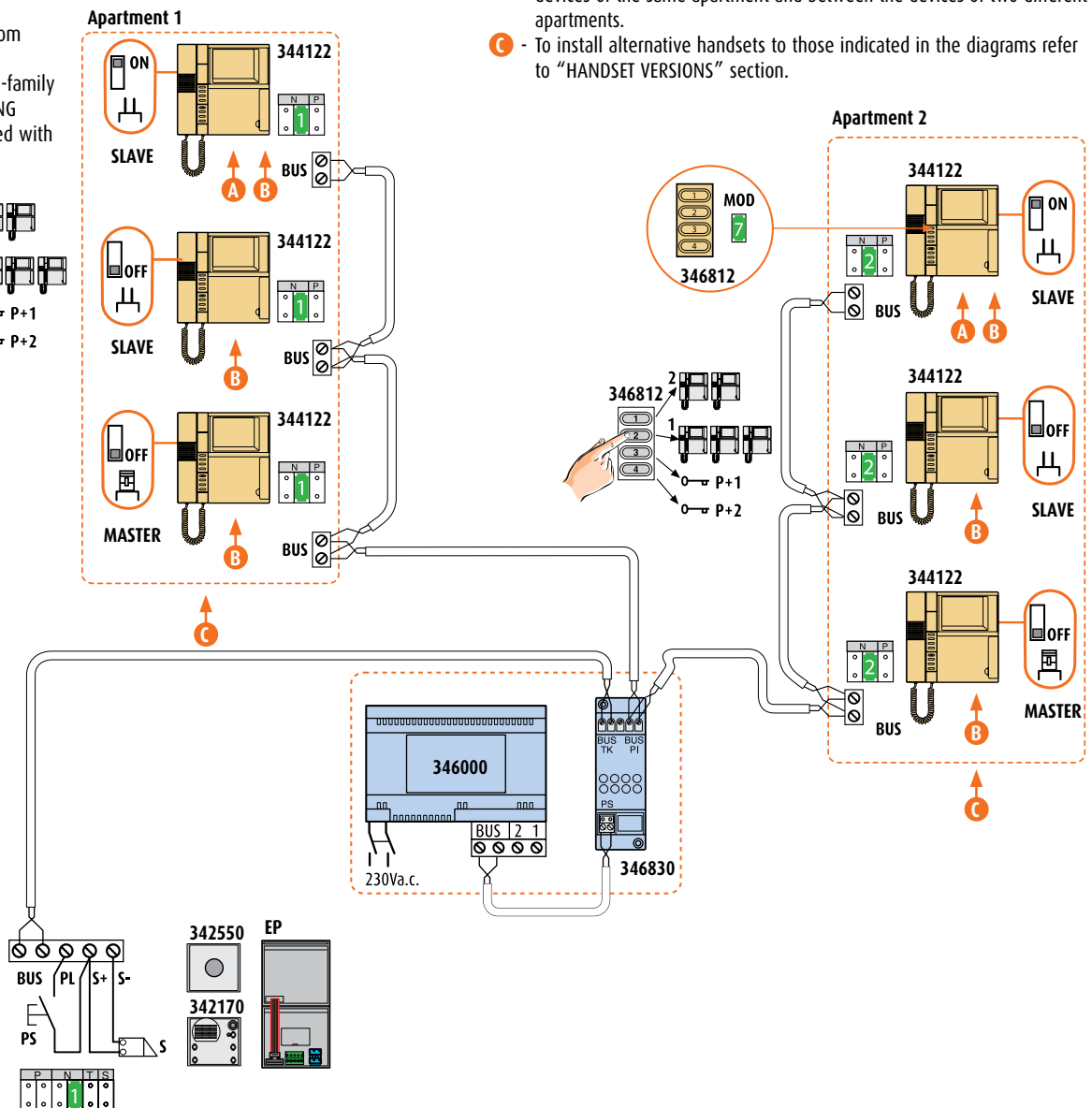
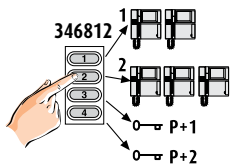
TWO-FAMILY SYSTEM, 1 EP AND 3 HANDSETS FOR APARTMENT WITH "INTERCOM BETWEEN APARTMENTS" FUNCTION

Legend

Ref.	Description
342170	speaker module
342550	colour camera module
344122	PIVOT video handset
346000	power supply
346812	4 key accessory
346830	video adapter
EP	SFERA entrance panel (main)
PS	door lock pushbutton
S1	electric door lock 18V 4A impulsive 250mA holding current

NOTE: The entrance panels can also be made up of 12V d.c. camera and interface Item 347400 or 12Vd.c. camera, interface Item 347400 and audio entrance panel.

To have the intercom function among apartments in two-family systems with SWING handsets configured with MOD = 53 (or 73)



WARNING

- Configure and insert the Jumpers with the system SWITCHED OFF. Also every time the configuration is modified the power supply to the system must be switched off and on again, waiting about 1 minute.
- **It is possible to install a maximum of 3 PIVOT, POLYX and AXOLUTE video handsets for apartment using PIVOT devices with MASTER-SLAVE function. At the arrival of the call the MASTER rings and switches ON while the SLAVE rings. Answering from a SLAVE, the MASTER switches OFF and the monitor of the SLAVE in use switches ON. With SWING handsets it is possible to install one video handset and 2 audio handsets or 3 video handsets in simultaneous switching on.**
- A** - On the back of the video or audio handset that ends the line, set the microswitch to the ON position.
- B** - The PIVOT video handsets used in the intercommunication function must be fitted with Item 346812, that must be configured with MOD=7. In this configuration it is possible to activate the Intercom among the devices of the same apartment and between the devices of two different apartments.
- C** - To install alternative handsets to those indicated in the diagrams refer to "HANDSET VERSIONS" section.

Video 2 wire system

2

DIAGRAM 6 1 VIDEO ENTRANCE PANEL AND 2 RISERS WITH RADIAL WIRING

Legend

Item	Description
EP/S	SFERA entrance panel
342510	camera module
342170	speaker module
342240	pushbutton module
S1	electric door lock 18V 4A impulsive 250mA holding current
344804	SWING video handset
344102	PIVOT video handset
344032	PIVOT audio handset
344212	SPRINT audio handset which can be fitted with accessories
346000	power supply
346830	video adapter
346200	actuator
PS	door lock pushbutton
L	staircase light

General limits

1 video EP (SFERA pushbutton panel) max. 26 video handsets

WARNING

- Configure and insert the Jumpers with the system SWITCHED OFF. Also every time the configuration is modified the power supply to the system must be switched off and on again, waiting about 1 minute.
- The wiring must be installed with the RADIAL method on handsets. Alternatively, it is possible to install STAR wiring using the floor distribution block Item 346841.

- A** - Use of the actuator is optional for the staircase light service or generic actuations. (see page actuator configuration).
- B** - Either SFERA or digital call pushbutton panels can be used to make the entrance panel.
- C** - Move the microswitch on the back of the last video handset or audio handset of the riser stretch to ON.

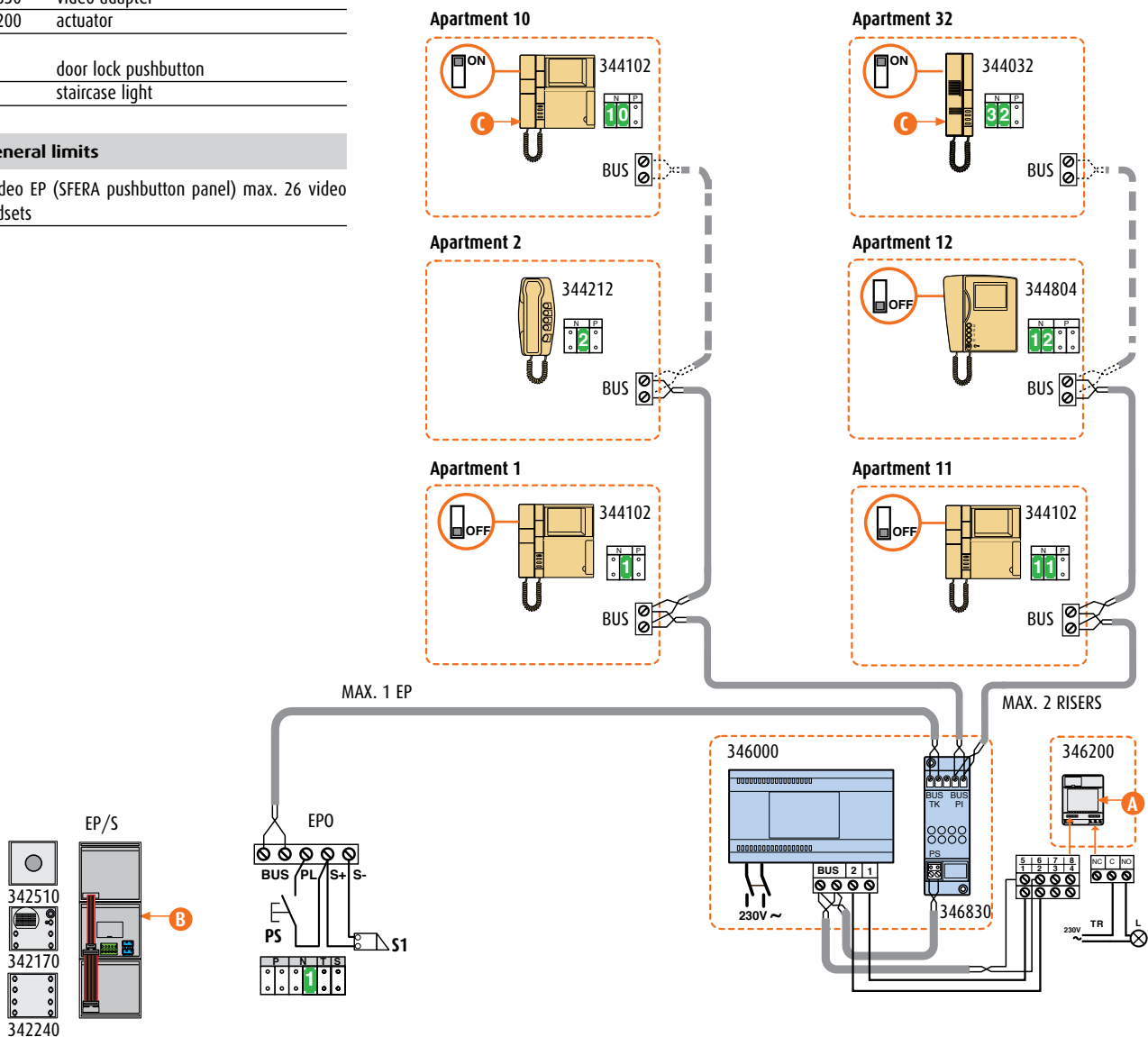


DIAGRAM 7 ONE-FAMILY SYSTEM WITH 1 EP AND 3 SEPARATE CAMERAS OR 3 ADDITIONAL VIDEO ENTRANCE PANELS

Legend

Item	Description
342510	b/w camera module
342550	colour camera module
342170	speaker module
S1	electric door lock 18V 4A impulsive 250mA holding current
F441	audio/video node
344102	PIVOT video handset
346000	power supply
347400	coaxial/2 wire interface
PS	door lock pushbutton

WARNING

- Configure and insert the Jumpers with the system SWITCHED OFF. Also every time the configuration is modified the power supply to the system must be switched off and on again, waiting about 1 minute.
- The wiring must be installed with the RADIAL method on handsets. Alternatively, it is possible to install STAR wiring using the floor distribution block Item 346841.
- A** - The interface item 347400 must supply directly the camera with 12V d.c.

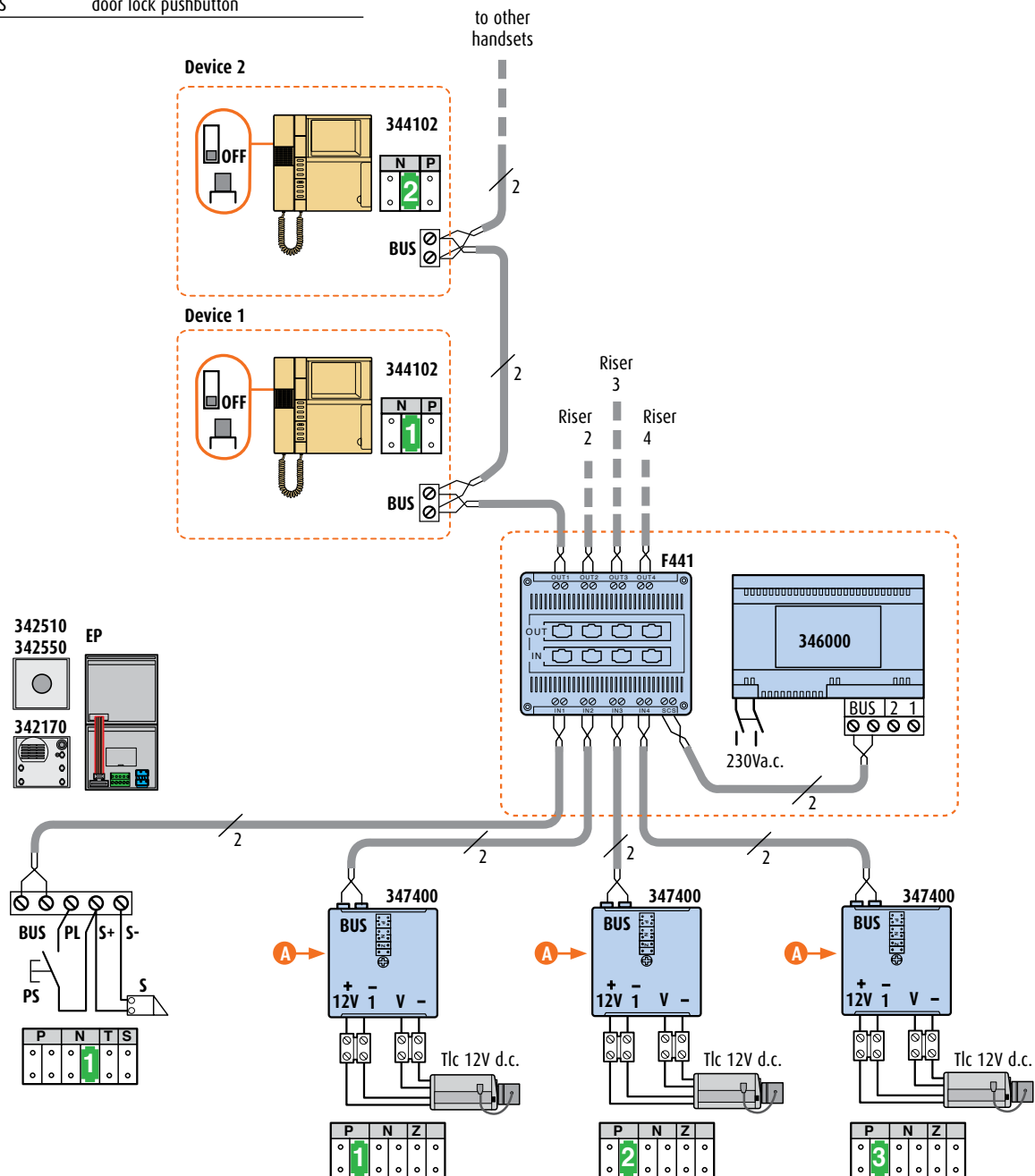


DIAGRAM 8

1 MAIN VIDEO ENTRANCE PANEL AND 1 RISER WITH FLOOR DISTRIBUTION BLOCK WIRING

Legend

Ref.	Description
342170	speaker module
342240	pushbutton module
342550	colour camera module
344032	PIVOT audio handset
344122	PIVOT video handset
346000	power supply
346200	actuator
346830	video adapter
346841	floor distribution block
L	staircase light
EP/S	SFERA entrance panel (main)
PS	door lock pushbutton
S1	electric door lock 18V 4A impulsive 250mA holding current

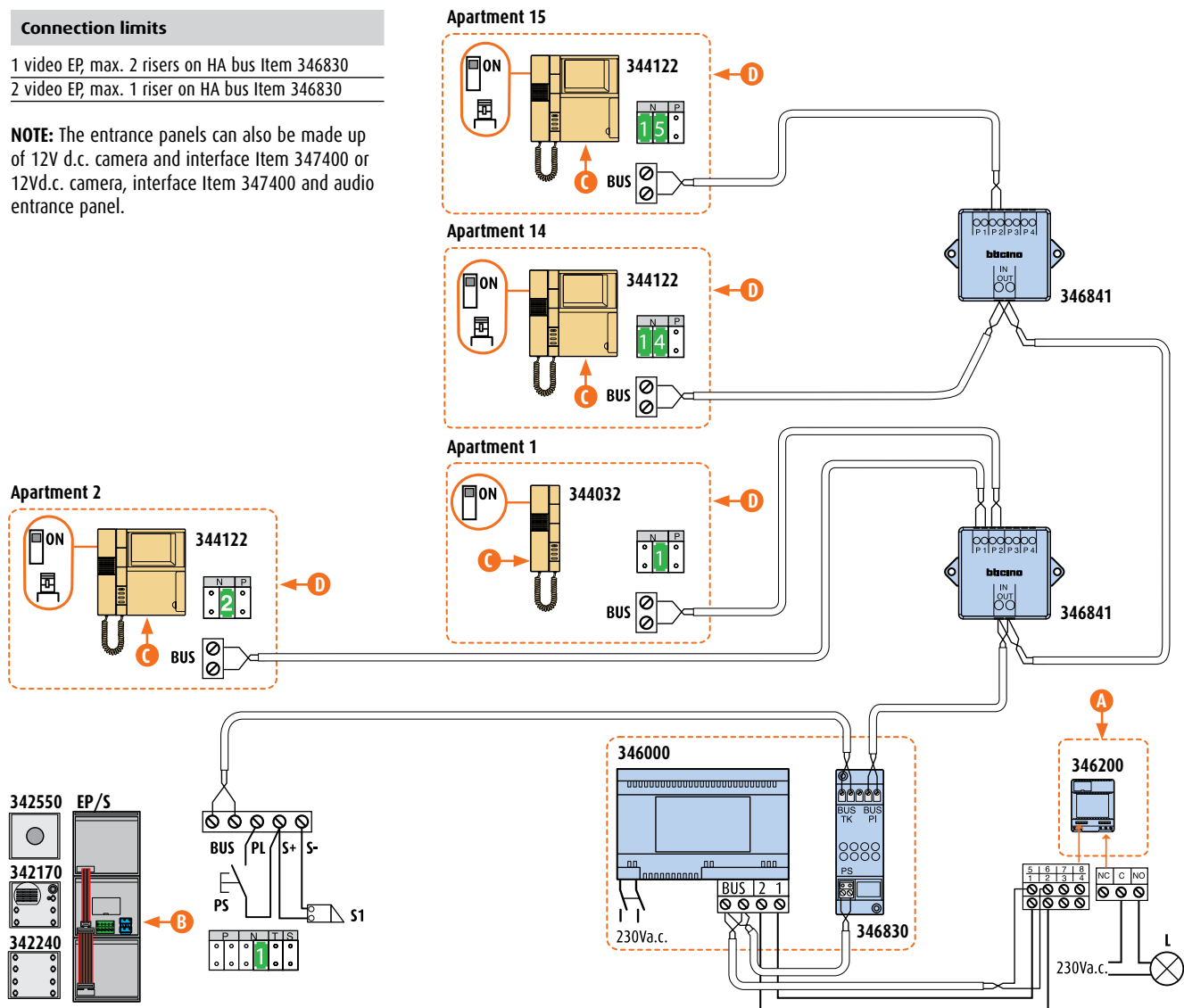
Connection limits

1 video EP, max. 2 risers on HA bus Item 346830
2 video EP, max. 1 riser on HA bus Item 346830

NOTE: The entrance panels can also be made up of 12V d.c. camera and interface Item 347400 or 12Vd.c. camera, interface Item 347400 and audio entrance panel.

WARNING

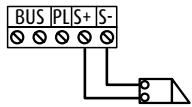
- Configure and insert the Jumpers with the system SWITCHED OFF. Also every time the configuration is modified the power supply to the system must be switched off and on again, waiting about 1 minute.
- A** - Use of an actuator is required for the staircase light service or generic actuations. (see configuration actuator page).
- B** - Either SFERA or MINISFERA pushbutton panels or digital call can be used to make the entrance panel.
- C** - On the back of the video or audio handset that ends the line, set the microswitch to the ON position.
- D** - To install alternative handsets to those indicated in the diagrams refer to "HANDSET VERSIONS" section.



Auxiliary services Door lock control

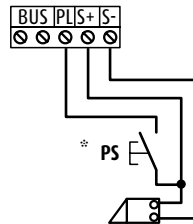
DOOR LOCK CONTROL

SFERA - LINEA 2000 and LINEA 2000 METAL entrance panels



Wiring for door lock control to Door Release pushbutton of handsets
Between S+ and S-, 18V -4A impulsive are available.

SFERA - LINEA 2000 and LINEA 2000 METAL entrance panels



Wiring for door lock control to special pushbutton of handsets and to PS pushbutton
Between S+ and S-, 18V -4A impulsive are available.

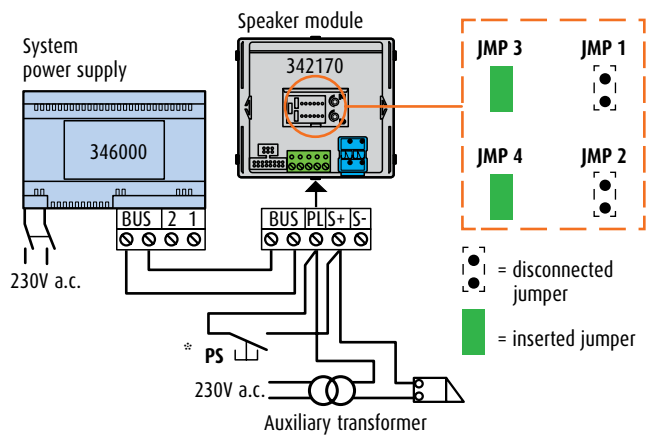
* **NOTE:** the door lock control is not timed from PS pushbutton

DOOR LOCK CONTROL WITH AUXILIARY TRANSFORMER

With speaker module 342170

Arrange the jumpers as indicated here.
The PL and S+ contacts can be crossed by a maximum power of 24V a.c./d.c.

The connection is the same for all SFERA, LINEA 2000 and LINEA 2000 METAL entrance panels.

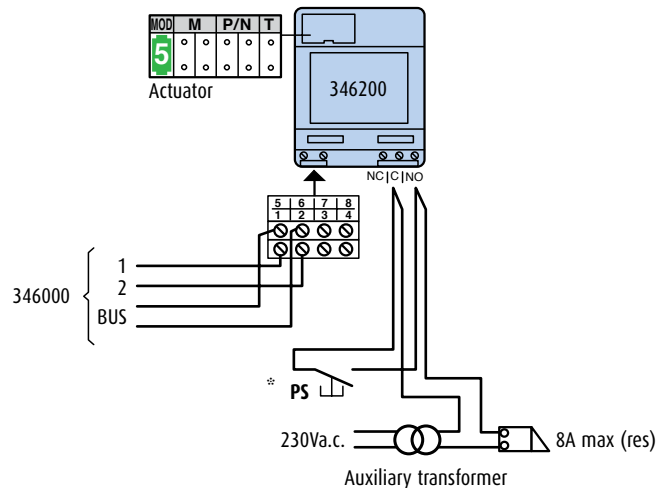


DOOR LOCK CONTROL WITH ACTUATOR ITEM 346200

If you wish to open a door lock together with the one connected to the speaker module, or for more security, one does not want to control the door lock connected to the speaker module, the actuator Item 346200 and an auxiliary transformer can be used.

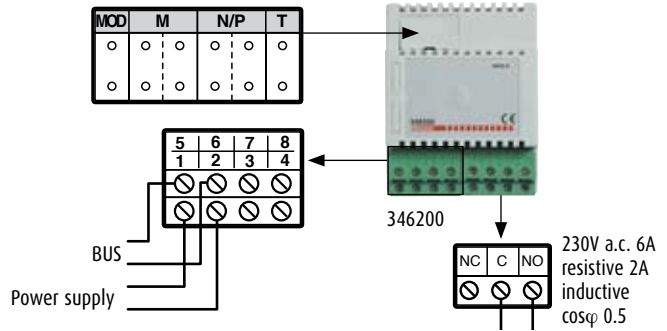
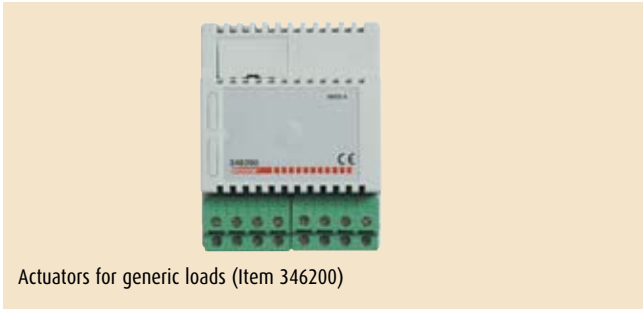
The actuator must be configured with MOD=5 and it is controlled by the pushbutton of the handsets. The C and NO contacts can be crossed by a maximum power of 8A (res).

* **NOTE:** the door lock control is not timed from PS pushbutton



Configuration

ACTUATORS



COMMANDS FROM LIGHT KEY

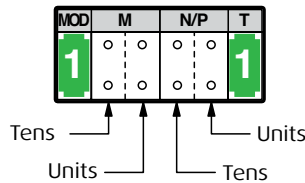
MOD 0 - Staircase light from any handset and EP

- The actuator is enabled by pressing the light pushbutton of the handset and the light key on the entrance panel. (Customize the time through the configurator T, without configurator t = 3 min)

MOD	M	N/P	T
○	○	○	○
○	○	○	○

MOD 1 - Sundry services (door lock/open the gate/staircase light) from handset unit

- The actuator is enabled by pressing the light pushbutton of the handset belonging to a group
- Customize the time through the configurator T (T=1 closes the contact for 1s)
- Insert in M the ten and the units of the first handset of the group
- Insert in N/P the ten and the units of the last handset of the group



Example

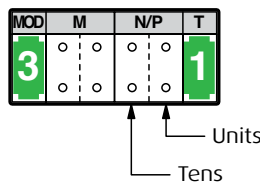
MOD	M	N/P	T
1	○	○	1
1	1	1	2
1	2	1	1

Command door lock from the light key of the handsets configured from 1 to 12

NOTE: a group is a sequence set of handsets.

MOD 3 - Sundry services from single handset

- The actuator is enabled by pressing the light pushbutton of only a single handset.
- Customize the time through the T configurator (T=1 closes the contact for 1s)
- Put in N/P the ten and the units of the handset that controls the relay



Example

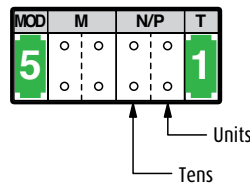
MOD	M	N/P	T
3	○	○	1
3	○	1	5
3	○	1	5

Command door lock from the light key of the handset configured with 15

CONTROLS FROM DOOR LOCK KEY

MOD 5 - Door lock control from all handsets

- Direct door lock opening with handset in pause. The actuator is enabled by pressing the door lock pushbutton of all handsets.
- Customize the time through the T configurator (T=1 closes the contact for 1s)
- Put in N/P the ten and the units of the associated entrance panel that controls the door lock.



Example

MOD	M	N/P	T
5	○	○	1
5	○	2	1
5	○	2	1

Door lock control of the entrance panel configured with P=2 from the door lock pushbutton of all the associated handsets

CONFIGURATION OF T (TIMING)

The relay closing time can be customised by putting a configurator in socket T (as shown in the table).

T	1	2	3	4	5	6	7	8	9	
Time	3 min	1 s	3 s	6 s	10 s	1 min	6 min	10 min	pushbutton	cyclic (ON/OFF)

Auxiliary services

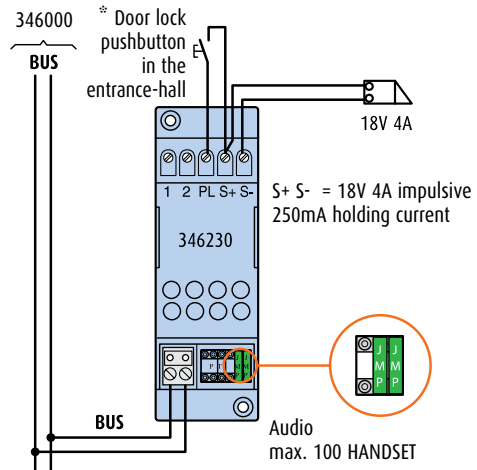
Door lock control

CONTROL WITH DOOR LOCK ACTUATOR ITEM 346230

The use of Item 346230 is indicated in the installations where you do not want to connect the electric door lock directly to the speaker module.

In installations with max 100 HANDSETS, with the use of the power supply Item 346000, the wiring is entirely of 2 wires including the electric door lock power supply. This diagram can be used for extra 2 wire door lock commands through Item 346812. The actuator is controlled by the door lock pushbutton of the handsets.

NOTE: in video systems the wiring must be executed in IN-OUT on TK BUS.



T - door lock relay timing

configurator number

0= No configurator	1	2	3	4	5	6	7
4 sec.	1 sec.	2 sec.	3 sec.	as push-button	6 sec.	8 sec.	10 sec.

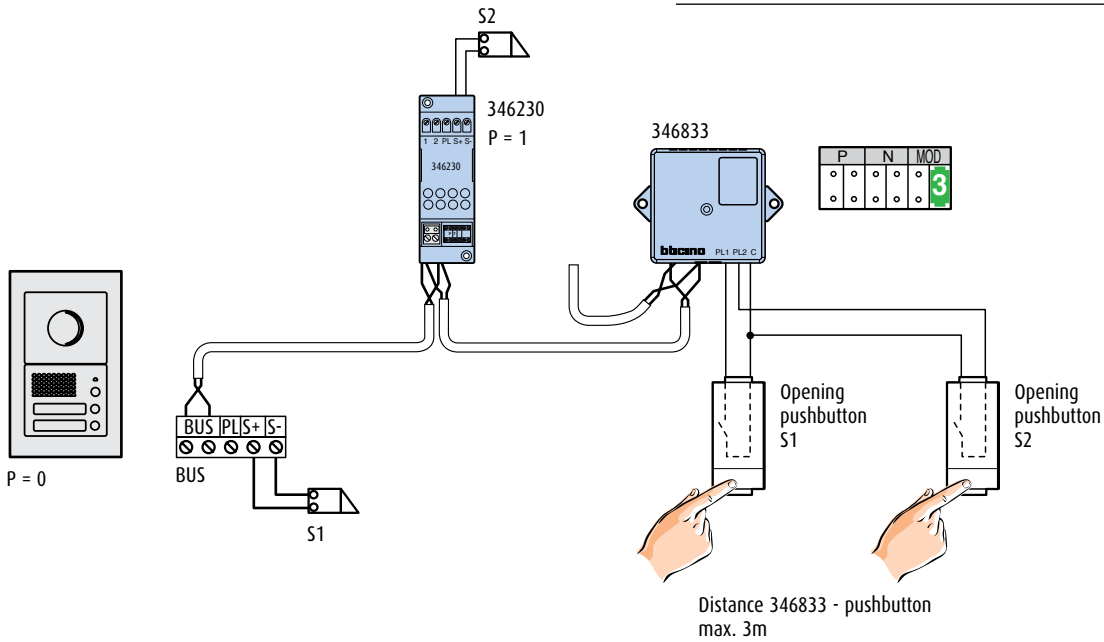
Auxiliary services

Staircase light and door lock control with 346833

DOOR LOCK CONTROL

The floor call interface 346833 also allows the opening of the door locks simply by pressing a pushbutton.

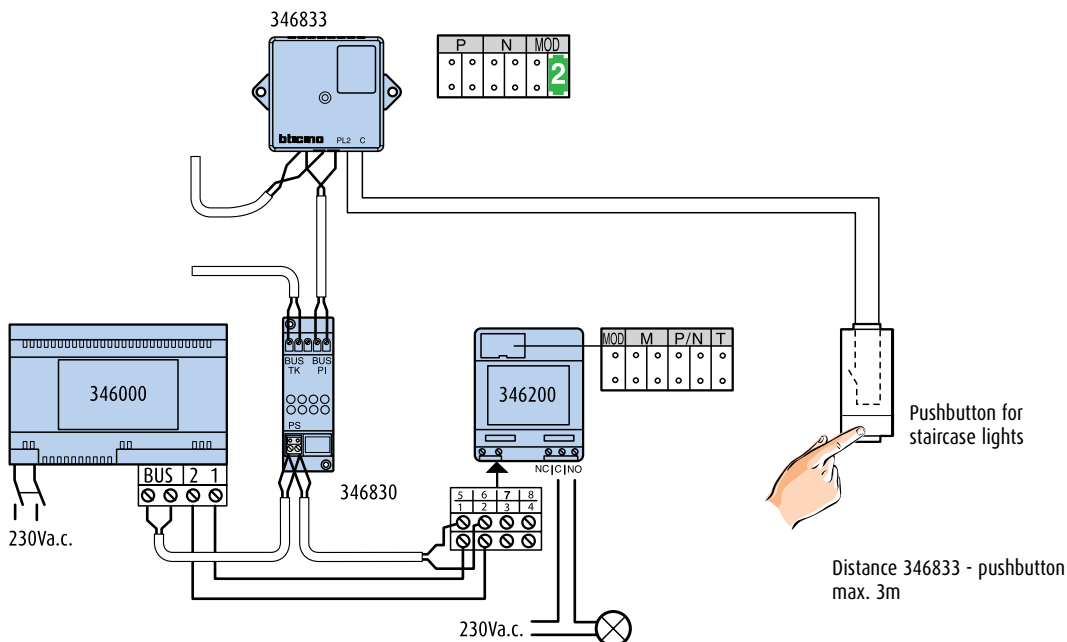
• MOD = 2	Door lock associated in P	PL1-C
• MOD = 3	Door lock associated in P	PL1-C
	Door lock associated in P+1	PL2-C



STAIRCASE LIGHTS

The floor call interface 346833 also allows the switching on of the staircase lights simply by pressing a pushbutton.

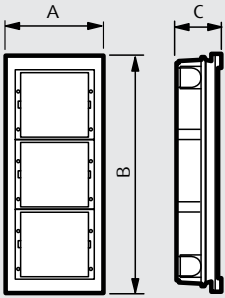
MOD = 0	staircase lights	PL2-C
MOD = 1		
MOD = 2		



Entrance panels

FLUSH-MOUNTING BOX + SFERA MODULAR CHASSIS

Box

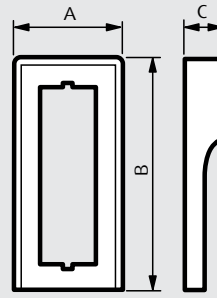


Dimensions - mm

Item	A	B	C
331110	117	123	45
331120	117	214	45
331130	117	306	45

SFERA MODULAR RAINSHIELDS

Rainshields

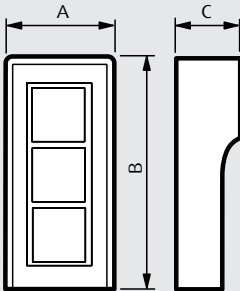


Dimensions - mm

Item	A	B	C
331411	151	151	50
331421	151	242	50
331431	151	334	50
331441	290	242	50
331461	290	334	50
331491	430	334	50

SFERA MODULAR WALL MOUNTING ENCLOSURES

Enclosures

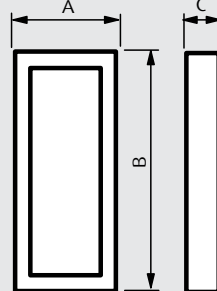


Dimensions - mm

Item	A	B	C
331311	155	160	92
331321	155	255	92
331331	155	360	92
331341	290	255	92
331361	290	360	92
331391	430	360	92

SFERA MODULAR FRAMES

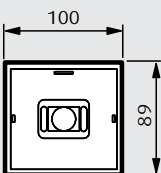
Frames



Dimensions - mm

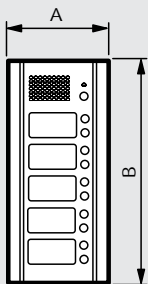
Item	A	B
331211	140	142
331221	140	233
331231	140	325
331821	125	233
331831	125	325

SFERA FUNCTION MODULES



SFERA MONOBLOC

Monobloc pushbutton panels

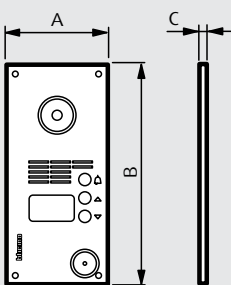


Dimensions - mm

No. of modules	A	B
333124	140	142
333114	140	142
333614	140	142
333724	140	233
333144	140	233
333164	140	233
333284	140	233
333824	140	233
333814	140	233
333104	140	325
333184	140	325
333204	140	325
333864	140	325
333844	140	325
333934	140	325

SFERA MONOBLOC VANDAL-RESISTANT

Video pushbutton panels

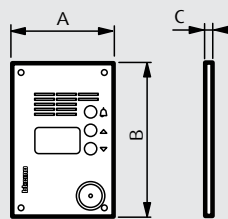


Dimensions - mm

Item	A	B	C
333914	150	284	4

SFERA MONOBLOC VANDAL-RESISTANT

Audio pushbutton panels



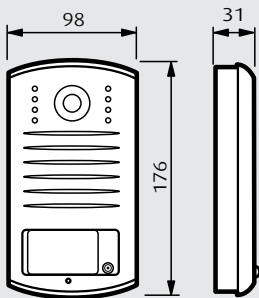
Dimensions - mm

Item	A	B	C
333714	150	198	4

Entrance panels

LINEA 2000 (L2K)

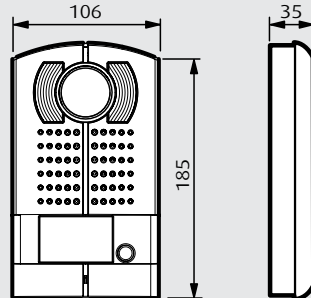
Audio and video pushbutton panels



342911
342921
342951
342961

LINEA 2000 METAL (L2K METAL)

Audio and video pushbutton panels

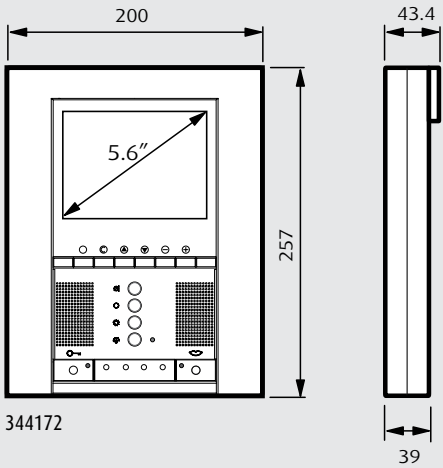


342971
342972
342981
342982
342991
342992

Handsets

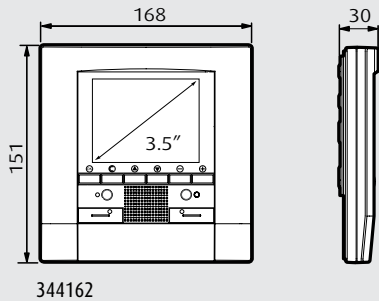
POLYX MEMORY STATION

Speaker phone video handset and speaker phone with memory



POLYX VIDEO DISPLAY

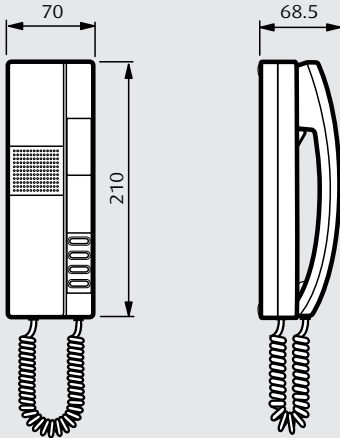
Speaker phone video handset



Handsets

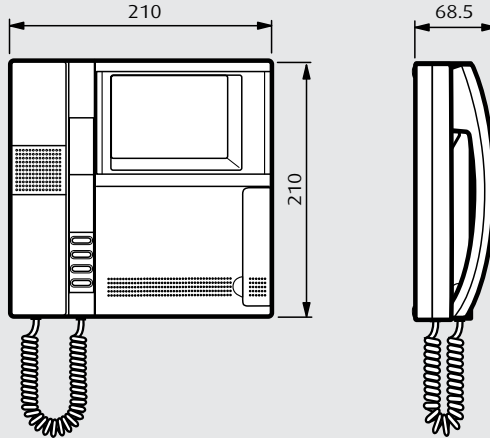
PIVOT AUDIO AND VIDEO HANDSET

Audio handset



344032

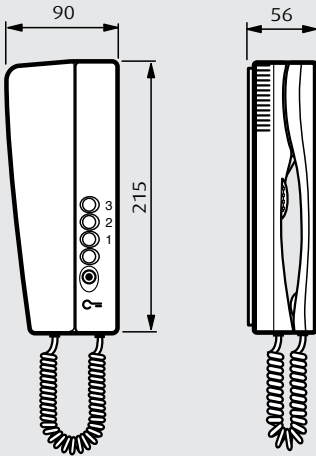
Video handset



344102
344122

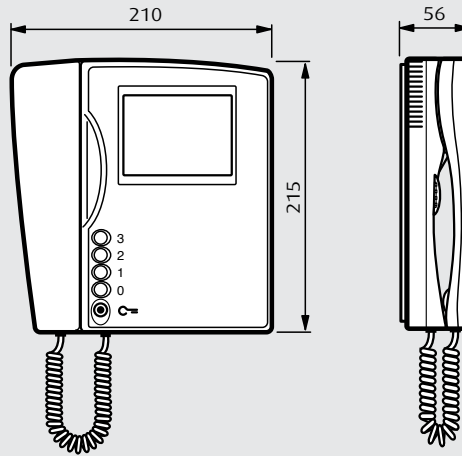
SWING AUDIO AND VIDEO HANDSET

Audio handset



344704

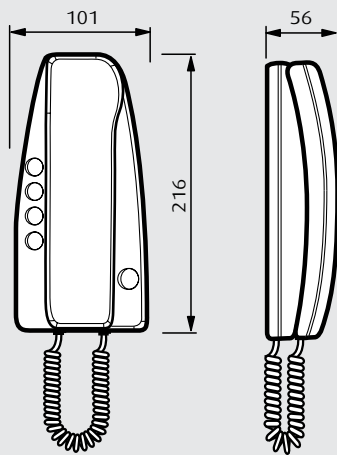
Video handset



344804
344824

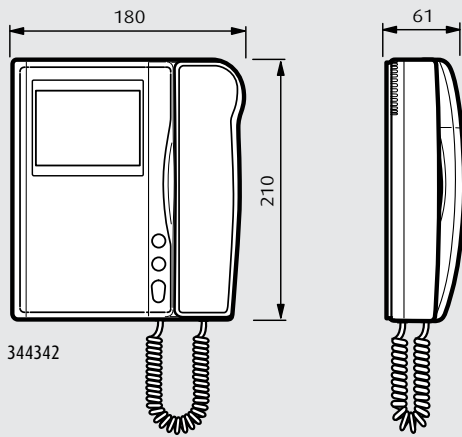
SPRINT AUDIO AND VIDEO HANDSET

Audio handset



334202
344212

Video handset

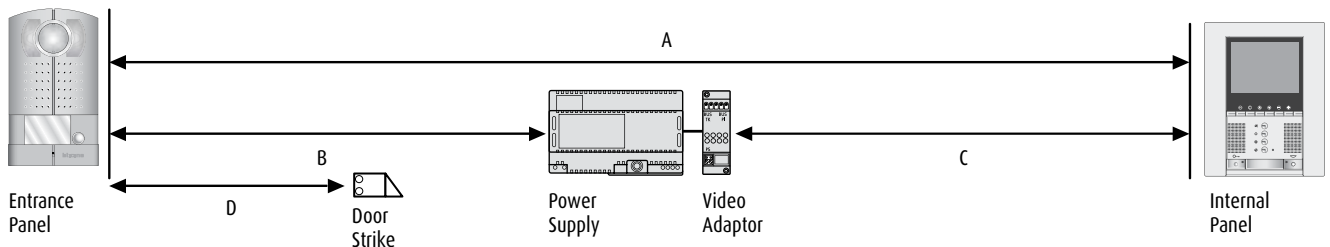


344342

General Rules for Installation

- The device connection is not polarized
- Using conductors with different cross-sections than those prescribed does not guarantee operation of the system
- Table below suits up to 5 internal Video Monitors for Kit Installation or 3 internal video monitors for multiple apartment installations
- Please contact BTicino for cable requirements on larger projects
- Please contact Bticino for installations that require greater distances than those shown below (Advanced System)

DISTANCE & TYPE OF CABLES



VIDEO SYSTEMS

	2 normal cables — >0,2mm ²	Cat 5E (0.25mm ²) ~	(0,28mm ²) ~	Bticino Cable 336904 ~ (0.50mm)
A	50m	135m	140m	200m
B	50m	90m	115m	200m
C	50m	60m	90m	140m
D*	30m	30m	30m	50m

(*) maximum variable distance

AUDIO SYSTEMS

	2 normal cables — >1mm ²	Cat 5E (0.25mm ²) ~	(0,28mm ²) ~	Bticino Cable 336904 ~ (0.50mm)
A	1000m	300m	380m	500m
B	550m	150m	160m	250m
C	450m	150m	160m	250m
D*	50m	30m	30m	50m

(*) maximum variable distance

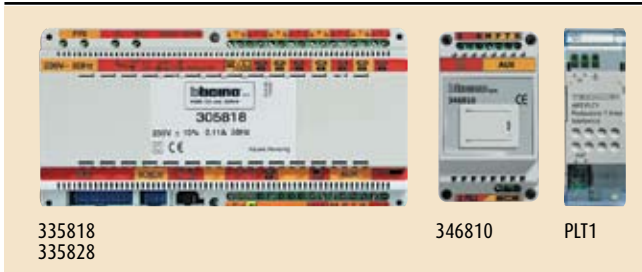
2 Wire Door Entry Kit Accessories



F442

MODULATOR

Item	Description
F442	SCS - Modulator for displaying active Entrance Panel Video signal on a television (S band only)



335818
335828

346810

PLT1

PABX

Item	Description
335818	Single line PABX 8 Ext
335828	Dual line PABX 8 Ext
346810	2 Wire to PABX Interface
PLT1	Telephone Line protection module for PABX



F441

346000

347400

336904

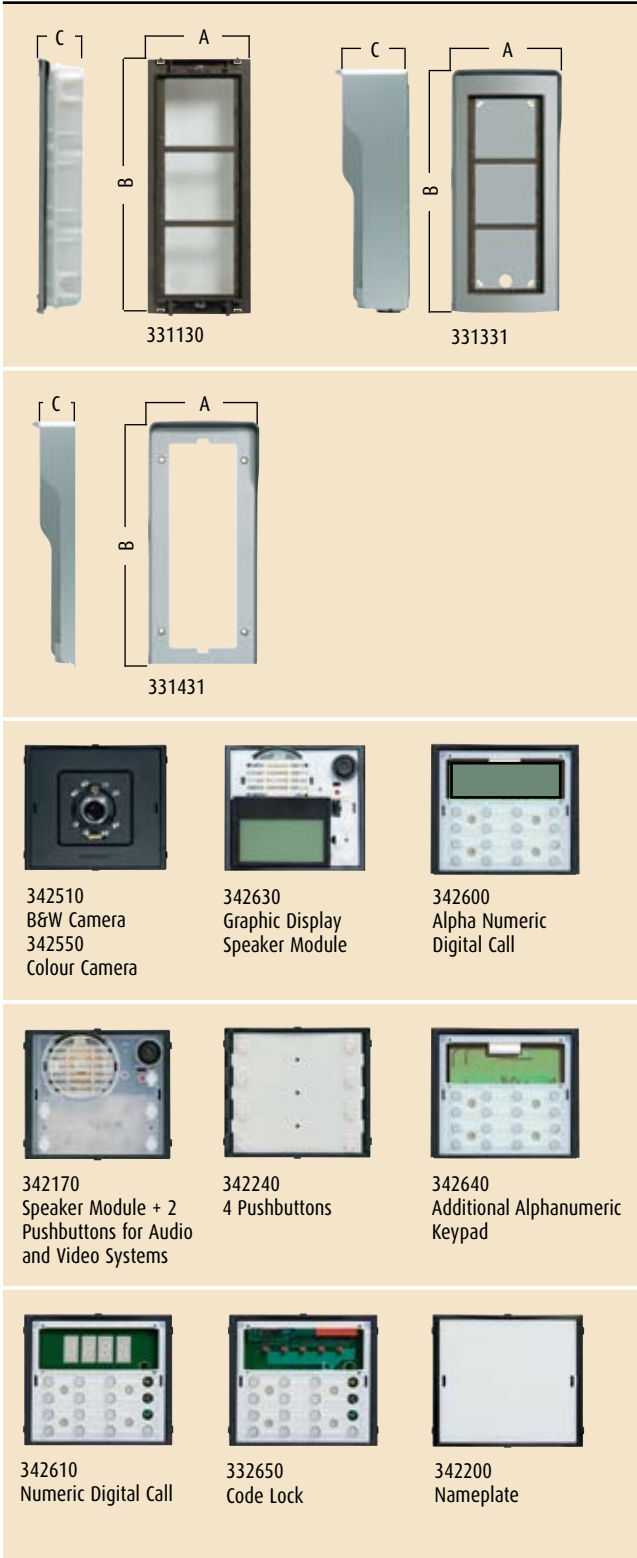
346841

3501K

INSTALLATION ACCESSORIES

Item	Description
F441	Audio/Video Mode for 3 or more Entrance panels or 3 or more Video inputs including CCTV devices
347400	Composite Video to 2 Wire Interface for connecting CCTV cameras to the 2 wire bus
346000	Power supply for digital 2 wire video and audio systems - 8 DIN modules. Power supply: 230V a.c. 50-60Hz
336904	Twisted 2-conductor cable which can be buried in piping, conforms to the standard (CEI 20-13 and CEI 20-14) - 200-metre coil. Can reach best performance in video systems (greater distance between EP and IU than when using other cables).
306064	Configurator set for up to 10 Apartments
346841	Floor Distribution Block - 4 outputs
3501K	Configurator kit made up of: <ul style="list-style-type: none"> - 10 pcs for each type of configurator from 0 to 9 - 2 blue pull-out connectors with 8 terminals - 2 green pull-out connectors with 2 terminals - 1 tweezers - 1 plastic screwdriver

SFERA entrance panels Mechanics and function modules



FLUSH-MOUNTING BOX WITH CHASSIS

Item	no. of mod.	Dimensions (mm)		
		A	B	C
331110	1	117	123	45
331120	2	117	214	45
331130	3	117	306	45

WALL ENCLOSURES WITH RAINSHIELDS

Item	no. of mod.	no. of rows	Dimensions (mm)		
			A	B	C
331311	1	1	155	160	92
331321	2	1	155	255	92
331331	3	1	155	360	92
331341	4	2	290	255	92
331361	6	2	290	360	92
331391	9	3	430	360	92

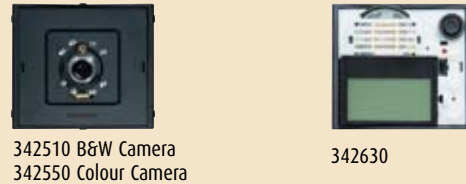
RAINSHIELDS

Item	no. of mod.	no. of rows	Dimensions (mm)		
			A	B	C
331411	1	1	151	151	50
331421	2	1	151	242	50
331431	3	1	151	334	50
331441	4	2	290	242	50
331461	6	2	290	334	50
331491	9	3	430	334	50

SFERA entrance panels Vandal-resistant front covers



NOTE: The vandal-resistant front covers must be used only with the SFERA function modules:



SFERA entrance panels Modular front covers

Front covers



33210...
Speaker Module



33211...
Speaker Module +
1 Pushbutton



33212...
Speaker Module +
2 Pushbuttons



33223...
3 Pushbuttons



33224...
4 Pushbuttons



33220...
Nameplate



33251...
Camera



33291...
Blank Module



33295...
Blank Module



33260...
Alphanumeric Digital
Call
Suits: 342600



33265...
Code Lock and
Numeric Call
Suits: 342610/342650



33267...
Additional Keypad
Suits: 342640



33266...
Graphic Display Speaker
Module
Suits: 342630



1 Allmetal

3 Alugray

6 Dark Ochre

7 Wagon Green

Replace the dots of the item code with the number of the required colour



33121...
1 Vertical
Module



33122...
2 Vertical
Modules



33123...
3 Vertical Modules

SFERA entrance panels Monobloc front covers



333124
2 Pushbuttons



333114
1 Pushbutton



333614
Code Lock



333104
10 Pushbuttons



333184
8 Pushbuttons



333204
12 Pushbuttons



333864
6 Pushbuttons



333844
4 Pushbuttons



333934
Alphanumeric Call



333824
2 Pushbuttons or
Alphanumeric Call Module



333814
1 Pushbutton



333724
Alphanumeric and/
or Numeric Call



333144
4 Pushbuttons



333164
6 Pushbuttons



333284
8 Pushbuttons

LINEA 2000 entrance panels



342911



342951



342971



342991

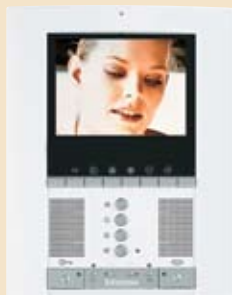
LINEA 2000 PUSHBUTTON PANELS

Item	Description
342911	LINEA 2000 audio aluminium entrance panel - 1 Pushbutton
342921	LINEA 2000 audio aluminium entrance panel - 2 Pushbutton
342951	LINEA 2000 video B&W aluminium entrance panel - 1 Pushbutton
342961	LINEA 2000 video B&W aluminium entrance panel - 2 Pushbutton

LINEA 2000 METAL PUSHBUTTON PANELS

Item	Description
342971	LINEA 2000 METAL audio entrance panel - ZAMAK finish - 1 Pushbutton
342972	LINEA 2000 METAL audio entrance panel - ZAMAK finish - 2 Pushbutton
342981	LINEA 2000 METAL video entrance panel with B&W camera - ZAMAK finish - 1 Pushbutton
342982	LINEA 2000 METAL video entrance panel with B&W camera - ZAMAK finish - 2 Pushbutton
342991	LINEA 2000 METAL video entrance panel with colour camera - ZAMAK finish - 1 Pushbutton
342992	LINEA 2000 METAL video entrance panel with colour camera - ZAMAK finish - 2 Pushbutton

POLYX and PIVOT handsets



344172



344162



344032



344102 B&W
344122 colour

POLYX MEMORY STATION

Item	Description
344172*	Wall-mounting speaker phone video handset with 5.6" monitor, OSD menu, audio/video memory and video door entry answering machine. Available in WHITE finish.
344152	As above but without memory function

POLYX VIDEO DISPLAY

Item	Description
344162	Wall-mounting video handset with colour 3.5" monitor and OSD menu. Available in WHITE finish.

PIVOT HANDSETS

Item	Description
344032	PIVOT audio handset which can be fitted with 4 key small block
344102	PIVOT video handset with B&W monitor which can be fitted with 4 key small block
344122	PIVOT video handset with colour monitor which can be fitted with 4 key small block

SWING handsets



SWING HANDSETS

Item	Description
344704	Audio handset
344804	Video handset with B&W monitor - colour
344824	Video handset with colour monitor - colour

SPRINT handsets



SPRINT HANDSETS

Item	Description
344212	Audio handset which can be fitted with accessories and can be installed in audio and video systems
344342	Video handset with B&W monitor

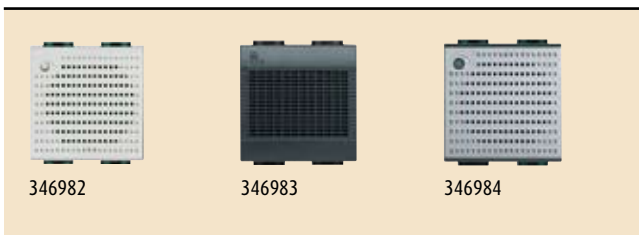
Accessories for PIVOT and SPRINT



ACCESSORIES FOR AUDIO AND VIDEO HANDSETS

Item	Description
336803	Black cable with plug, length 2 m
336982	LIGHT 8-way socket for table-mounting installation of the SPRINT and PIVOT handsets
337102	Support for table for PIVOT handset. It can be used also for slanting wall-mounting installation. Colour white
337122	Support for table for PIVOT video handset. It can be used also for slanting wall-mounting installation. Colour white
337140	Metal wall bracket for PIVOT handset
337160	Metal wall bracket for PIVOT video handset
337242	Support for table with 2 m cable and plug for SPRINT handset
346800	Call exclusion card and/or extra bell for Item 344212. It has a changeover switch and a LED which signals that the exclusion is taking place
346812	Small block 4 pushbuttons for actuator control (PIVOT handsets)
337202	Table Support for SPRINT

Melodic bells



MELODIC BELLS

Item	Description
346982	Melodic bell which can be installed in 2 Wire Systems as a common handset
NOTE:	Requires Bticino Mounting frame L4703AS & Cover Plate N4819LB

Cameras



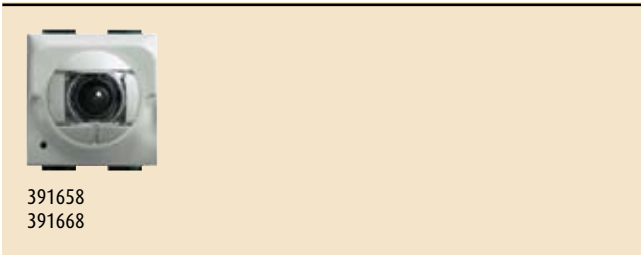
391616

391615



391640

391642



391658
391668

CAMERAS WITH COAXIAL OUTPUT

Item	Description
391615	Minidome B&W Camera. Power supply: 12V d.c. - Recommended power supply item 392100
391616	B&W Camera. Power supply: 12V d.c. - Recommended power supply item 392100
391640	External B&W Minicamera. Power supply: 12V d.c. - Recommended power supply item 392100
391642	External Colour Night and Day Camera. Power supply: 12V d.c. - Recommended power supply item 392100

CAMERA TO BE USED WITH THE BTICINO 2 WIRE SYSTEM

2 wire technology with microphone

Item	Description
391658	Colour Camera - LIGHT
391668	B&W Camera - LIGHT
NOTE:	Requires Bticino mounting frame L4703AS & Cover Plate N4819LB

Numeric index

Item	Catalogue page	Configuration page	Techn. features page
305818	55		
305828	55		
306064	55		
331110			48
331120			48
331130			48
331211			48
331221			48
331231			48
331311			48
331321			48
331331			48
331341			48
331361			48
331391			48
331411			48
331421			48
331431			48
331441			48
331461			48
331491			48
331550	26	27	
331821			48
331831			48
333104			49
333114			49
333124			49
333144			49
333164			49
333184			49
333204			49
333284			49
333614			49
333714			49
333724			49
333814			49
333824			49
333844			49
333864			49
333914			49
333934			49
334202			53
336803	62		
336842		27	
336904	55		
336982	62		
337102	62		
337122	62		
337140	62		
337160	62		
337202	62		
337242	62		

Item	Catalogue page	Configuration page	Techn. features page
342170		42	
342911	59		50
342921	59		50
342951	59		50
342961	59		50
342971	59		50
342972	59		50
342981	59		50
342982	59		50
342991	59		50
342992	59		50
344032	60		52
344102	60		52
344122	60		52
344152	60		
344162	60		51
344172	60		51
344212	61		53
344342	61		53
344704	61		53
344804	61		53
344824	61		53
346000	55		
346200		45	
346230		46	
346800	62		
346810	55		
346812	62		
346833		47	
346841	55		
346982	62		
347400	55	25	
363011		27	
363811	26	27	
365311	22		
367211	26	27	
367221	26	27	
367411	22		
367421	22		
367511	20		
367521	20		
367611	22		
367621	22		
368111	26		
368121	26		
368411	18		
368421	18		
368511	18		
368521	18		
369111	20		
369121	20		
391615	63		

Item	Catalogue page	Configuration page	Techn. features page
391616	63		
391640	63		
391642	63		
391658	63	25	
391668	63		
3501K	55		
F441	55	25	
F442	55	25	
PLT1	55		



Notes
