
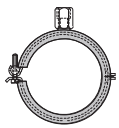
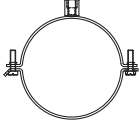
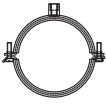


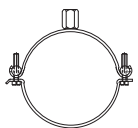

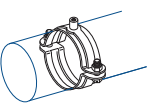
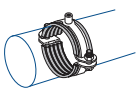
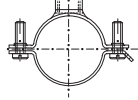
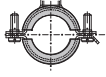
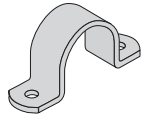
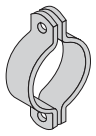

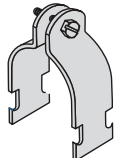
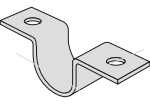
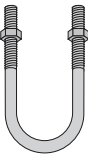
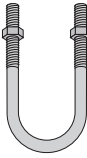





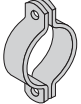
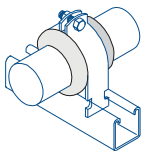
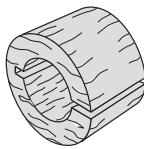





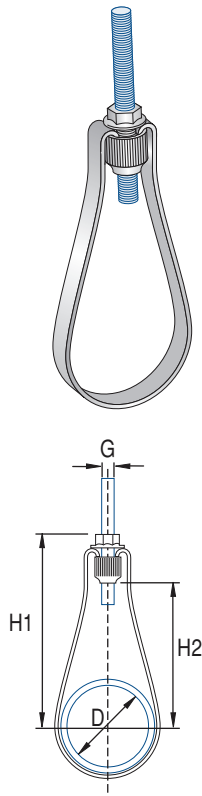


PIPE & TUBE CLAMPS PICTORIAL INDEX

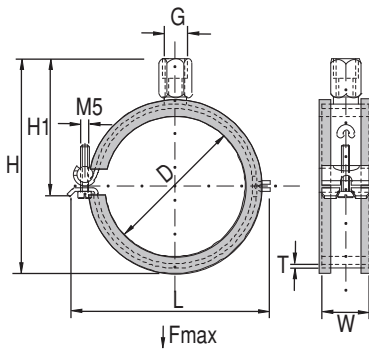
Pipe & Tube Clamps						
 <p>USP – Sprinkler Pipe Hangers [GB]</p> <p>pg. 133</p>	 <p>PERFEKT-1S – Sound Insulated Pipe Clamp [ZP]</p> <p>pg. 133</p>	 <p>STANDARD-N – Two Piece Pipe Clamp [ZP]</p> <p>pg. 134</p>	 <p>STANDARD-R – Sound Insulated Two Piece Pipe Clamp [ZP]</p> <p>pg. 134</p>	 <p>STANDARD-P – Plastic Sound Insulated Two Piece Pipe Clamp [ZP]</p> <p>pg. 135</p>	 <p>STANDARD-R-SS – Sound Insulated Two Piece Pipe Clamp [SS 304/A2]</p> <p>pg. 135</p>	 <p>PERFEKT-N – Pipe Clamp [DT]</p> <p>pg. 136</p>
 <p>PERFEKT-R – Sound Insulated Two Piece Pipe Clamp [ZP]</p> <p>pg. 136</p>	 <p>SOLID-N – Two-Piece Pipe Clamp [ZP]</p> <p>pg. 137</p>	 <p>SOLID-R – Rubber Insulated, Two-Piece Pipe Clamp [ZP]</p> <p>pg. 138</p>	 <p>MASSIV-N-SS – Heavy Duty Two-Piece Pipe Clamp [SS 304/A2]</p> <p>pg. 139</p>	 <p>MASSIV-R-SS – Heavy Duty Sound Insulated Two-Piece Pipe Clamp [SS 304/A2]</p> <p>pg. 139</p>	 <p>UN4 - Industrial Light Duty Pipe Clamps [HG]</p> <p>pg. 140</p>	 <p>UN6 - Industrial Light Duty, Two-Piece Pipe Clamps [HG]</p> <p>pg. 140</p>
 <p>UN10 – Industrial Light Duty Single Bolt Strut Clamp [ZP]</p> <p>pg. 141</p>	 <p>P2024 Series Pipe Clamps [ZP]</p> <p>pg. 141</p>	 <p>F31000 – Industrial Light Duty Pipe Saddle Clamps [ZP]</p> <p>pg. 142</p>	 <p>F41000 – "U" Bolts [ZP]</p> <p>pg. 142</p>	 <p>UN14 – "U" Bolts [HG]</p> <p>pg. 142</p>	 <p>UN15 – Industrial Medium Duty Saddle Clamp [HG]</p> <p>pg. 143</p>	 <p>UN16 – Industrial Medium Duty, Two-Piece Pipe Clamp [HG]</p> <p>pg. 143</p>
 <p>UN18 – Industrial Medium Duty, Two-Piece Pipe Clamps [HG]</p> <p>pg. 144</p>	 <p>UN20 – Industrial Medium Duty, Three Bolt Pipe Clamp [HG]</p> <p>pg. 144</p>	 <p>UN30 – Industrial Medium/Heavy Duty, Saddle Clamp [HG]</p> <p>pg. 144</p>	 <p>UN31 – Industrial Medium/Heavy Duty, Two-Piece Pipe Clamp [HG]</p> <p>pg. 145</p>	 <p>P2600 Unicushion</p> <p>pg. 145</p>	 <p>UN60 Series – Timber Ferrules</p> <p>pg. 145</p>	 <p>DCWT – Double Pipe Clips with foam rubber insulation [ZP]</p> <p>pg. 146</p>
 <p>DC – Double Pipe Clips with Insulation [ZP]</p> <p>pg. 146</p>	 <p>Plastic Snap Clip [PP]</p> <p>pg. 146</p>	 <p>Cush-a-Clamp®</p> <p>pg. 147</p>	 <p>Rapid Positioning Clip</p> <p>pg. 147</p>			

USP – Sprinkler Pipe Hangers [GB]



Part No.	D NB/DN	G	H1 mm	H2 mm	kg /100		Approvals	
USP15	15	M8	56	41	0.044	50	–	
USP20	20	M8	57	42	0.048	50	–	
USP25	25	M8	57	42	0.052	50	–	
USP32	32	M8	57	42	0.056	50	–	
USP40	40	M8	62	47	0.060	50	–	
USP50	50	M8	72	57	0.064	50	–	
USP2010	20	M10	57	42	0.048	50	–	
USP2510	25	M10	57	42	0.052	50		
USP3210	32	M10	57	42	0.056	50		
USP4010	40	M10	62	47	0.060	50		
USP5010	50	M10	72	57	0.064	50		
USP65	65	M10	89	69	0.130	25		
USP80	80	M10	104	84	0.140	25		
USP100	100	M10	135	115	0.160	25		
USP125	125	M12	151	129	0.200	25		
USP150	150	M12	188	166	0.220	25		
USP200	200	M16	236	214	0.460	10		
USP250	250	M20	310	288	0.800	1	–	

PERFEKT-1S – Sound Insulated Pipe Clamp [ZP]



EPDM/SBR
SHORE A = 45' ± 5'
+ 110° C
- 50° C



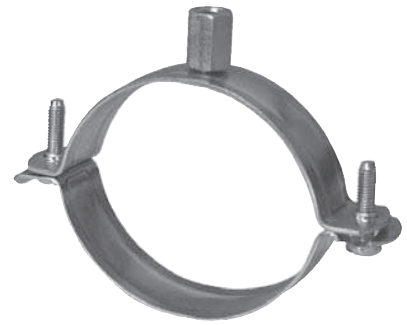
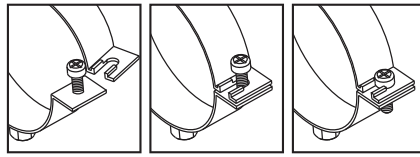
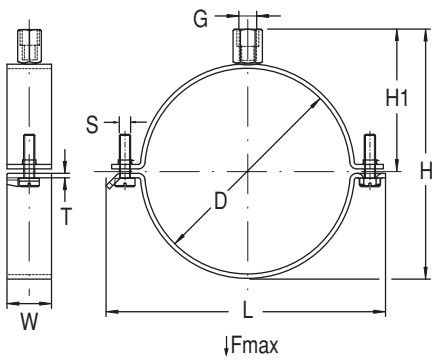
Sound Insulation value on average 22 dB (A)

One Piece Pipe Clamp - 1 Screw

Part No. G=M8/M10	D mm	W x T mm	H mm	H1 mm	L mm	Fmax kN	kg /100	
119 15 10	15 - 16	20 x 1.00	44	30	43	0.8	4.2	100
119 18 10	17 - 18	20 x 1.00	46	32	45	0.8	4.5	100
119 22 10	21 - 22	20 x 1.00	51	34	50	0.8	4.8	100
119 28 10	27 - 28	20 x 1.00	55	37	56	0.8	5.2	100
119 35 10	34 - 35	20 x 1.25	63	40	64	1.1	6.2	100
119 40 10	40 - 41	20 x 1.25	69	43	69	1.1	6.9	100
119 42 10	42 - 43	20 x 1.25	70	44	71	1.1	7.1	100
119 48 10	48 - 49	20 x 1.25	77	48	77	1.1	7.6	100
119 50 10	49 - 50	20 x 1.25	79	49	79	1.1	8.1	50
119 54 10	54 - 55	20 x 1.25	83	51	83	1.1	8.6	50
119 57 10	57 - 58	20 x 1.25	86	53	86	1.1	8.7	50
119 60 10	60 - 61	20 x 1.25	89	54	89	1.1	8.8	50

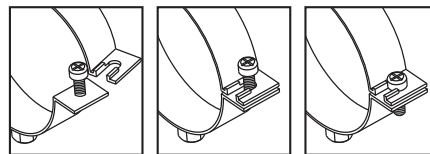
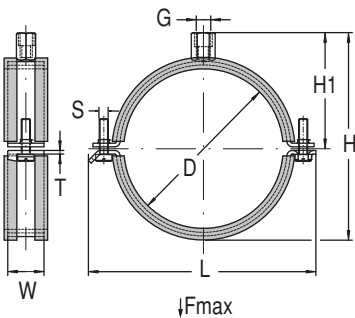
PIPE & TUBE CLAMPS

STANDARD-N – Two Piece Pipe Clamp [ZP]



Part No. G=M8/M10	D mm	W x T mm	H mm	H1 mm	L mm	S	Fmax kN	kg /100	
125 60 18	17 - 20	20 x 1.00	36	25	58	M5	0.6	4.5	100
125 60 22	21 - 24	20 x 1.00	40	26	59	M5	0.6	4.9	100
125 60 28	25 - 28	20 x 1.00	46	29	66	M5	0.6	5.4	100
125 60 35	32 - 35	20 x 1.00	52	33	73	M5	0.6	6.1	100
125 60 40	38 - 41	20 x 1.00	56	34	79	M5	0.6	6.5	100
125 60 42	40 - 43	20 x 1.00	60	37	82	M5	0.6	6.8	50
125 60 48	48 - 51	20 x 1.00	66	40	89	M5	0.6	7.2	50
125 60 54	54 - 57	20 x 1.50	73	44	96	M5	1.4	9.4	50
125 60 60	59 - 63	20 x 1.50	79	46	98	M5	1.4	10.7	50
125 60 70	67 - 72	25 x 1.50	94	56	116	M6	1.9	15.2	50
125 60 76	71 - 77	25 x 1.50	100	59	123	M6	1.9	15.4	50
125 60 89	85 - 90	25 x 2.00	108	64	134	M6	2.3	20.3	50
125 61 14	107 - 114	25 x 2.00	136	84	162	M6	2.3	24.3	50

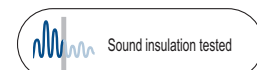
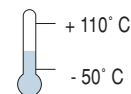
STANDARD-R – Sound Insulated Two Piece Pipe Clamp [ZP]



Part No. G=M8/M10	D mm	W x T mm	H mm	H1 mm	L mm	S	Fmax kN	kg /100	
125 70 15	14 - 17	20 x 1.00	41	27	55	M5	0.6	4.4	100
125 70 18	17 - 20	20 x 1.00	43	29	58	M5	0.6	4.6	100
125 70 22	21 - 24	20 x 1.00	47	30	59	M5	0.6	5.0	100
125 70 28	27 - 30	20 x 1.00	53	33	66	M5	0.6	5.5	100
125 70 35	33 - 36	20 x 1.00	59	37	73	M5	0.6	6.2	100
125 70 40	38 - 41	20 x 1.00	63	38	79	M5	0.6	6.6	100
125 70 42	42 - 45	20 x 1.00	67	41	82	M5	0.6	6.9	50
125 70 48	48 - 51	20 x 1.00	73	44	89	M5	0.6	7.3	50
125 70 54	54 - 57	20 x 1.50	80	48	98	M5	1.4	9.6	50
125 70 60	59 - 62	20 x 1.50	86	50	101	M5	1.4	10.8	50
125 70 70	67 - 72	25 x 1.50	101	60	116	M6	1.9	15.3	50
125 70 76	72 - 78	25 x 1.50	107	63	123	M6	1.9	15.5	50
125 70 89	84 - 89	25 x 2.00	115	68	134	M6	2.3	20.4	50
125 71 14	109 - 114	25 x 2.00	143	88	162	M6	2.3	24.4	50

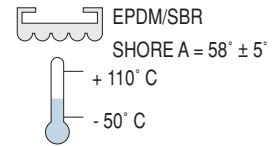
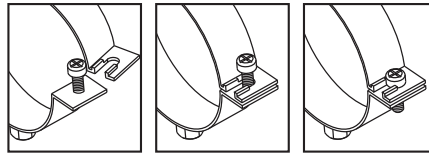
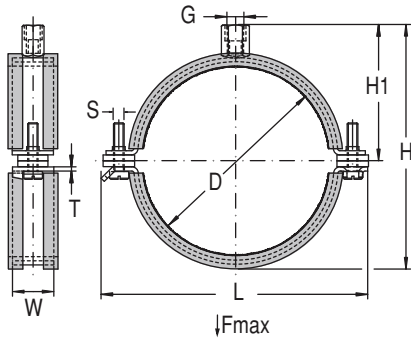


EPDM/SBR
SHORE A = 45 ± 5°



Sound Insulation value on average 22 dB (A)

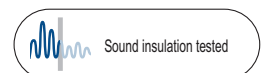
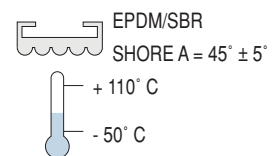
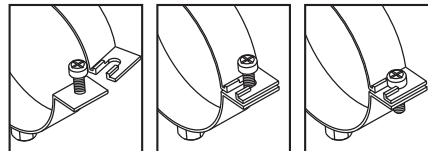
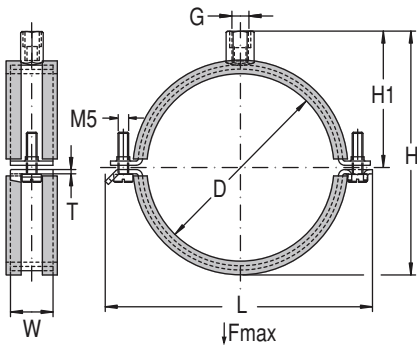
STANDARD-P – Plastic Sound Insulated Two Piece Pipe Clamp [ZP]



Sound Insulation value on average 15.4 dB (A)

Part No. G = M8/M10	D mm	W x T mm	H mm	H1 mm	L mm	S	Fmax kN	kg /100	
133 01 66	16	20 x 1.00	47	32	60	M5	0.6	4.2	100
133 02 06	20	20 x 1.00	52	35	63	M5	0.6	4.5	100
133 02 56	25	20 x 1.00	56	37	68	M5	0.6	5.2	100
133 03 26	32	20 x 1.00	62	40	75	M5	0.6	5.8	100
133 04 06	40	20 x 1.00	72	43	85	M5	0.6	6.5	100
133 05 06	50	20 x 1.00	77	48	91	M5	0.6	6.5	50
133 06 36	63	25 x 1.50	94	55	116	M6	1.45	9.4	50
133 07 86	75/78	25 x 1.50	105	60	125	M6	1.9	22.4	50
133 09 06	90	25 x 1.50	120	70	140	M6	1.9	22.1	50
133 11 06	110	25 x 1.50	141	78	163	M6	1.9	29.5	50
133 12 56	122/127	25 x 2.50	156	88	164	M6	1.9	34.4	50
133 13 56	131/136	25 x 2.50	168	92	175	M6	1.9	34.6	50
133 16 06	164/168	25 x 2.50	190	102	210	M6	1.9	40.1	50

STANDARD-R-SS – Sound Insulated Two Piece Pipe Clamp [SS 304/A2]

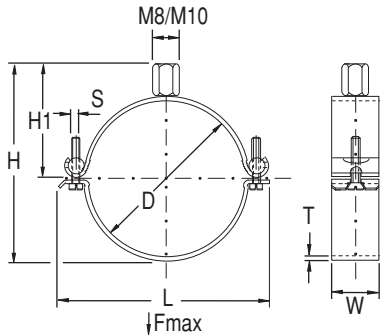


Sound Insulation value on average 22 dB (A)

Part No.	D mm	G	W x T mm	H mm	H1 mm	L mm	Fmax kN	kg /100	
135 01 52	14 - 17	M8	20 x 1.00	39	25	55	0.6	4.4	100
135 01 82	17 - 20	M8	20 x 1.00	41	27	58	0.6	4.6	100
135 02 22	21 - 24	M8	20 x 1.00	45	28	59	0.6	5.0	100
135 02 82	27 - 30	M8	20 x 1.00	51	31	66	0.6	5.5	100
135 03 52	33 - 36	M8	20 x 1.00	57	35	73	0.6	6.2	100
135 04 02	38 - 41	M8	20 x 1.00	61	36	79	0.6	6.6	100
135 04 22	42 - 45	M8	20 x 1.00	65	39	82	0.6	6.9	50
135 04 82	48 - 51	M8	20 x 1.00	71	42	89	0.6	7.3	50
135 05 42	54 - 57	M8	20 x 1.50	78	46	98	1.4	9.6	50
135 06 02	59 - 62	M8	20 x 1.50	84	48	101	1.4	10.8	50
135 07 02	67 - 72	M8/M10	25 x 1.50	101	60	116	1.9	15.3	50
135 07 52	72 - 78	M8/M10	25 x 1.50	107	63	123	1.9	15.5	50
135 08 82	84 - 89	M8/M10	25 x 2.00	115	68	134	2.3	20.4	50
135 11 42	109 - 114	M8/M10	25 x 2.00	143	88	162	2.3	24.4	50

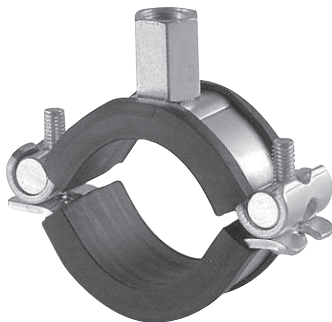
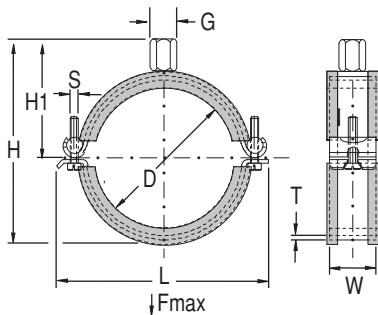
PIPE & TUBE CLAMPS

PERFEKT-N – Pipe Clamp [DT]



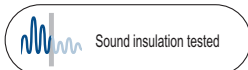
Part No.	D mm	W x T mm	H mm	H1 mm	L mm	S	Fmax kN	$\frac{\text{kg}}{100}$	
128 01 82	18 - 20	20 x 2.00	39	32	44	M5	0.8	8.1	100
128 02 22	21 - 24	20 x 2.00	42	30	46	M5	0.8	8.2	100
128 02 82	25 - 32	20 x 2.00	47	33	56	M5	0.8	8.8	100
128 03 52	33.5 - 38	20 x 2.00	55	36	61	M5	0.8	9.5	100
128 04 02	39 - 43	20 x 2.00	60	38	65	M5	0.8	9.9	100
128 04 22	42.5 - 46	20 x 2.00	64	40	68	M5	0.8	10.2	100
128 04 82	48.5 - 53	20 x 2.00	70	43	77	M5	0.8	10.9	100
128 06 02	60.5 - 65	20 x 2.00	82	49	89	M5	0.8	12.3	50
128 06 82	68 - 73	25 x 2.50	79	59	105	M6	1.9	17.4	50
128 07 22	73 - 77	25 x 2.50	103	62	107	M6	1.9	18.6	50
128 08 62	84 - 90	25 x 2.50	105	72	121	M6	1.9	20.0	50
128 09 72	97 - 103	25 x 2.50	138	78	142	M6	1.9	21.9	50
128 11 02	109 - 114	25 x 2.50	140	79	145	M6	1.9	23.3	50
128 12 52	125 - 130	25 x 2.50	156	87	163	M6	1.9	26.1	25
128 13 92	139 - 145	25 x 2.50	169	94	173	M6	1.9	29.0	25
128 16 82	160 - 168	25 x 2.50	191	105	193	M6	1.9	32.3	25

PERFEKT-R – Sound Insulated Two Piece Pipe Clamp [ZP]



EPDM/SBR
SHORE A = 45° ± 5°

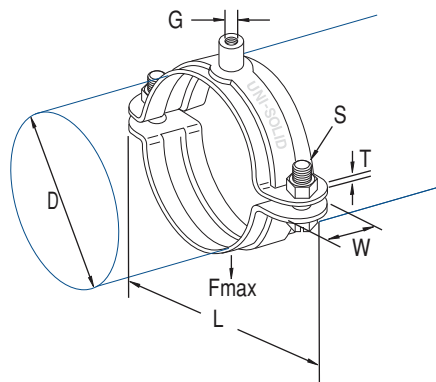
+ 110° C
- 50° C





Sound insulation value on average 22 dB (A)

Part No. G=M8/M10	mm	W x T mm	H mm	H1 mm	L mm	S	Fmax kN	$\frac{\text{kg}}{100}$	
119 18 13	15 - 20	20 x 2.00	50	32	50	M5	0.8	8.8	100
119 22 13	21 - 25	20 x 2.00	55	35	58	M5	0.8	9.7	100
119 28 13	26 - 31	20 x 2.00	61	38	62	M5	0.8	10.3	100
119 35 13	32 - 36	20 x 2.00	67	42	71	M5	0.8	11.2	100
119 42 13	42 - 46	20 x 2.00	76	46	79	M5	0.8	12.3	100
119 48 13	46 - 49	20 x 2.00	81	49	80	M5	0.8	12.7	100
119 54 13	50 - 54	20 x 2.00	84	53	87	M5	0.8	13.3	50
119 60 13	56 - 60	20 x 2.00	90	55	95	M5	0.8	14.3	50
119 06 38	63 - 68	25 x 2.50	101	60	107	M6	1.9	21.7	50
119 06 88	68 - 73	25 x 2.50	107	63	110	M6	1.9	23.2	50
119 07 58	75 - 80	25 x 2.50	115	66	116	M6	1.9	24.5	50
119 08 48	84 - 89	25 x 2.50	124	70	126	M6	1.9	27.1	50
119 08 88	88 - 92	25 x 2.50	130	72	129	M6	1.9	28.0	50
119 09 78	97 - 102	25 x 2.50	138	77	140	M6	1.9	29.0	50
119 10 68	106 - 111	25 x 2.50	150	83	152	M6	1.9	32.3	50
119 10 98	109 - 114	25 x 2.50	152	84	153	M6	1.9	32.5	50
119 11 38	113 - 119	25 x 2.50	154	86	154	M6	1.9	32.9	50
119 12 28	122 - 127	25 x 2.50	163	90	164	M6	1.9	34.4	25
119 13 18	131 - 136	25 x 2.50	193	94	175	M6	1.9	36.8	25
119 13 78	137 - 142	25 x 2.50	176	97	181	M6	1.9	37.9	25
119 15 88	158 - 163	25 x 2.50	197	105	192	M6	1.9	40.5	25
119 16 48	164 - 168	25 x 2.50	202	108	195	M6	1.9	42.3	25

SOLID-N – Two-Piece Pipe Clamp [ZP]



Part No.	DN	D mm	W x T mm	L mm	G	S	Fmax kN	 /100		Approvals
1174 018	10	15 - 19	25 x 2.5	57	M8/M10	M6	4.0	9	50	
1174 022	15	20 - 24	25 x 2.5	62	M8/M10	M6	4.0	10	50	VdS
1174 028	20	25 - 30	25 x 2.5	68	M8/M10	M6	4.0	11	50	VdS/FM
1174 035	25	31 - 35	30 x 2.5	75	M8/M10	M6	4.0	12	50	VdS/FM
1174 041		36 - 41	30 x 2.5	81	M8/M10	M6	4.0	12	50	VdS
1174 042	32	40 - 45	30 x 2.5	85	M8/M10	M6	4.0	13	50	VdS/FM
1174 048	40	48 - 53	30 x 2.5	93	M8/M10	M6	4.0	15	50	VdS/FM
1174 054		54 - 59	30 x 2.5	104	M8/M10	M6	4.0	16	50	VdS
1174 060	50	60 - 65	30 x 2.5	110	M8/M10	M6	4.0	18	50	VdS/FM
1174 072		67 - 72	30 x 2.5	117	M8/M10	M6	4.0	19	50	VdS
1174 076	65	76 - 81	30 x 3.0	142	M10/M12	M8	5.0	31	25	VdS/FM
1174 085		82 - 85	30 x 3.0	148	M10/M12	M8	5.0	33	25	VdS
1174 089	80	88 - 94	30 x 3.0	154	M10/M12	M8	5.0	34	25	VdS/FM
1174 102		95 - 102	30 x 3.0	163	M10/M12	M8	5.0	35	25	VdS
1174 108		102 - 108	30 x 3.0	169	M10/M12	M8	5.0	40	25	VdS
1174 114	100	110 - 116	30 x 3.0	177	M10/M12	M8	5.0	41	25	VdS/FM
1174 124		117 - 124	30 x 3.0	185	M10/M12	M8	5.0	42	25	VdS
1174 129		124 - 129	30 x 3.0	190	M10/M12	M8	5.0	43	25	VdS
1174 140		133 - 140	40 x 4.0	207	M12/M16	M12	8.0	76	10	VdS
1174 145	125	140 - 146	40 x 4.0	215	M12/M16	M12	8.0	78	10	VdS/FM
1174 155		149 - 155	40 x 4.0	222	M12/M16	M12	8.0	79	10	VdS
1174 165		159 - 165	40 x 4.0	232	M12/M16	M12	8.0	88	10	VdS
1174 168	150	167 - 173	40 x 4.0	240	M12/M16	M12	8.0	88	10	VdS/FM
1174 182		176 - 182	40 x 4.0	265	M12/M16	M12	8.0	93	10	
1174 194		188 - 194	40 x 4.0	273	M12/M16	M12	8.0	97	10	
1174 205		199 - 205	40 x 4.0	284	M12/M16	M12	12.5	103	10	
1174 216		207 - 216	40 x 4.0	295	M12/M16	M12	12.5	114	10	
1174 226	200	219 - 226	40 x 4.0	304	M12/M16	M12	12.5	124	10	
1174 227	200	219 - 226	40 x 4.0	304	M16	M12	12.5	124	10	VdS
1174 236		227 - 236	40 x 4.0	315	M12/M16	M12	12.5	119	10	
1174 250		244 - 250	40 x 4.0	329	M12/M16	M12	12.5	140	10	
1174 261		251 - 261	40 x 4.0	340	M12/M16	M12	12.5	142	10	
1174 273	250	267 - 273	40 x 4.0	352	M12/M16	M12	12.5	144	10	
1174 274	250	267 - 273	40 x 4.0	352	M20	M12	12.5	144	10	VdS
1174 284		278 - 284	40 x 4.0	363	M12/M16	M12	12.5	148	10	
1174 304		297 - 304	40 x 4.0	382	M12/M16	M12	12.5	170	10	
1174 316		305 - 316	40 x 4.0	395	M12/M16	M12	12.5	180	10	
1174 324	300	323.9	50 x 5.0	440	M16	M16	15.0	255	1	
1174 356	350	355.6	50 x 5.0	471	M16	M16	15.0	263	1	
1174 368		368.0	50 x 5.0	482	M16	M16	15.0	271	1	
1174 406	400	406.4	50 x 5.0	520	M16	M16	15.0	290	1	
1174 419		419.0	70 x 7.0	532	M16	M16	15.0	500	1	
1174 508	500	508.0	70 x 7.0	619	M16	M16	15.0	591	1	
1174 521		521.0	70 x 7.0	631	M16	M16	15.0	613	1	

PIPE & TUBE CLAMPS

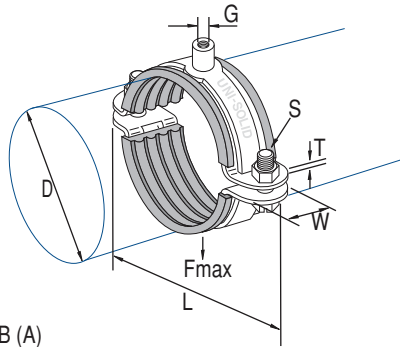
SOLID-R – Rubber Insulated, Two-Piece Pipe Clamp [ZP]




EPDM/SBR
SHORE A = 45° ± 5°
+ 110° C
- 50° C

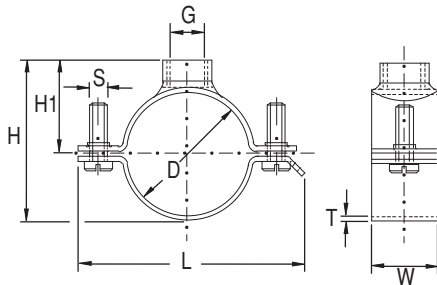


Sound insulation value on average 22 dB (A)



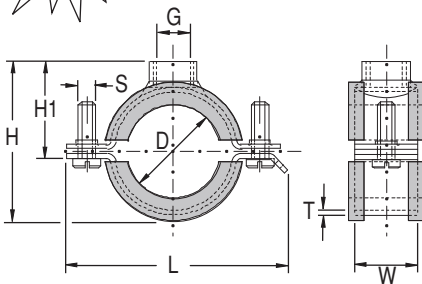
Part No.	DN	mm	W x T mm	L mm	G	S	Fmax kN	kg /100	
1171 018	10	14 - 18	25 x 2.5	62	M8/M10	M6	4.0	13	50
1171 022	15	19 - 23	25 x 2.5	68	M8/M10	M6	4.0	15	50
1171 028	20	24 - 28	30 x 2.5	75	M8/M10	M6	4.0	17	50
1171 033		29 - 33	30 x 2.5	81	M8/M10	M6	4.0	18	50
1171 035	25	33 - 37	30 x 2.5	85	M8/M10	M6	4.0	19	50
1171 042	32	40 - 45	30 x 2.5	93	M8/M10	M6	4.0	21	50
1171 048	40	47 - 52	30 x 2.5	104	M8/M10	M6	4.0	22	50
1171 054		53 - 58	30 x 2.5	110	M8/M10	M6	4.0	24	50
1171 060	50	60 - 65	30 x 2.5	117	M8/M10	M6	4.0	28	50
1171 072		67 - 72	30 x 3.0	142	M10/M12	M8	5.0	37	25
1171 076	65	73 - 78	30 x 3.0	148	M10/M12	M8	5.0	42	25
1171 085		79 - 85	30 x 3.0	154	M10/M12	M8	5.0	43	25
1171 089	80	88 - 93	30 x 3.0	163	M10/M12	M8	5.0	45	25
1171 099		94 - 99	30 x 3.0	169	M10/M12	M8	5.0	48	25
1171 106		100 - 106	30 x 3.0	177	M10/M12	M8	5.0	52	25
1171 114	100	108 - 116	30 x 3.0	185	M10/M12	M8	5.0	55	25
1171 123		117 - 123	30 x 3.0	190	M10/M12	M8	5.0	59	25
1171 129		124 - 129	40 x 4.0	207	M12/M16	M12	8.0	92	10
1171 137		131 - 137	40 x 4.0	215	M12/M16	M12	8.0	97	10
1171 145	125	138 - 145	40 x 4.0	222	M12/M16	M12	8.0	110	10
1171 154		148 - 154	40 x 4.0	232	M12/M16	M12	8.0	113	10
1171 162		156 - 162	40 x 4.0	240	M12/M16	M12	8.0	115	10
1171 168	150	165 - 171	40 x 4.0	263	M12/M16	M12	8.0	118	10
1171 183		177 - 183	40 x 4.0	273	M12/M16	M12	8.0	122	10
1171 194		188 - 194	40 x 4.0	284	M12/M16	M12	8.0	131	10
1171 203		196 - 203	40 x 4.0	294	M12/M16	M12	12.5	139	10
1171 214		205 - 214	40 x 4.0	304	M12/M16	M12	12.5	145	10
1171 225	200	219 - 225	40 x 4.0	315	M12/M16	M12	12.5	160	10
1171 243		226 - 243	40 x 4.0	329	M12/M16	M12	12.5	170	10
1171 250		244 - 250	40 x 4.0	340	M12/M16	M12	12.5	180	10
1171 264		251 - 264	40 x 4.0	352	M12/M16	M12	12.5	190	10
1171 273	250	265 - 273	40 x 4.0	363	M12/M16	M12	12.5	200	10
1171 295		285 - 295	40 x 4.0	382	M12/M16	M12	12.5	220	10
1171 305		299 - 305	40 x 4.0	395	M12/M16	M12	12.5	230	10
1171 324	300	323.9	50 x 5.0	454	M16	M16	15.0	320	1
1171 356	350	355.6	50 x 5.0	482	M16	M16	15.0	334	1
1171 368		368.0	50 x 5.0	496	M16	M16	15.0	355	1
1171 406	400	406.4	50 x 5.0	534	M16	M16	15.0	388	1
1171 419		419.0	70 x 7.0	546	M16	M16	15.0	608	1
1171 508	500	508.0	70 x 7.0	631	M16	M16	15.0	702	1
1171 521		521.0	70 x 7.0	645	M16	M16	15.0	723	1

MASSIV-N-SS – Heavy Duty Two-Piece Pipe Clamp [SS 304/A2]



Part No. G=M10	mm	W x T mm	H mm	H1 mm	L mm	S	Fmax kN	kg /100	
135 01 84	14 - 20	30 x 2.00	46	26	76	M8	5.7	12.6	25
135 02 24	20 - 26	30 x 2.00	53	30	79	M8	5.7	13.8	25
135 02 84	25 - 31	30 x 2.00	59	33	87	M8	5.7	14.9	25
135 03 54	32 - 38	30 x 2.00	69	37	94	M8	5.7	16.8	25
135 04 24	40 - 46	30 x 2.00	74	41	102	M8	5.7	18.7	25
135 04 84	48 - 54	30 x 2.00	83	45	109	M8	5.7	20.3	25
135 05 44	53 - 55	30 x 2.00	84	46	113	M8	5.7	21.0	25
135 06 04	56 - 62	30 x 2.00	92	49	118	M8	5.7	22.2	25
Part No. G=M12									
135 07 64	72 - 78	30 x 3.00	116	64	149	M10	3.8	41.4	1
135 08 94	86 - 91	30 x 3.00	130	71	162	M10	3.8	44.9	1
135 11 44	108 - 116	30 x 3.00	156	83	191	M10	3.8	51.8	1
135 12 54	122 - 130	40 x 4.00	171	90	211	M10	4.85	90.6	1
135 13 54	132 - 140	40 x 4.00	180	95	225	M10	4.85	95.5	1
135 14 54	139 - 147	40 x 4.00	187	99	232	M10	4.85	103.6	1
135 16 04	157 - 165	40 x 4.00	206	108	246	M10	4.85	109.0	1
135 16 84	165 - 170	40 x 4.00	211	110	255	M10	4.85	111.0	1
135 21 04	208 - 216	40 x 5.00	258	133	305	M10	8.6	146.0	1
135 21 94	216 - 224	40 x 5.00	268	137	315	M10	8.6	167.0	1
135 26 74	265 - 275	40 x 5.00	308	163	336	M10	8.6	195.0	1
135 32 64	322 - 333	40 x 5.00	374	190	412	M10	8.6	230.0	1

MASSIV-R-SS – Heavy Duty Sound Insulated Two-Piece Pipe Clamp [SS 304/A2]



EPDM/SBR
SHORE A = 40° ± 5°

+ 110° C
- 50° C

Sound insulation tested

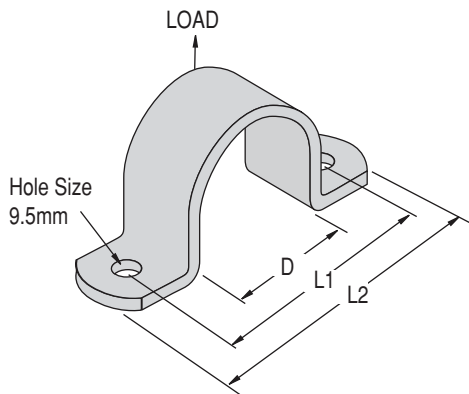
Baustoffklasse
B2
"Normal entflammbar"
nach DIN 4102

Part No. G=M10	mm	W x T mm	H mm	H1 mm	L mm	S	Fmax kN	kg /100	
135 01 83	14 - 20	30 x 2.00	46	26	76	M8	5.7	12.6	25
135 02 23	20 - 26	30 x 2.00	53	30	79	M8	5.7	13.8	25
135 02 83	25 - 31	30 x 2.00	59	33	87	M8	5.7	14.9	25
135 03 53	32 - 38	30 x 2.00	69	37	94	M8	5.7	16.8	25
135 04 23	40 - 46	30 x 2.00	74	41	102	M8	5.7	18.7	25
135 04 83	48 - 54	30 x 2.00	83	45	109	M8	5.7	20.3	25
135 05 43	53 - 55	30 x 2.00	84	46	113	M8	5.7	21.0	25
135 06 03	56 - 62	30 x 2.00	92	49	118	M8	5.7	22.2	25
Part No. G=M12									
135 07 63	72 - 78	30 x 3.00	116	64	149	M10	3.8	41.4	1
135 08 93	86 - 91	30 x 3.00	130	71	162	M10	3.8	44.9	1
135 11 43	108 - 116	30 x 3.00	156	83	191	M10	3.8	51.8	1
135 12 53	122 - 130	40 x 4.00	171	90	211	M10	4.85	90.6	1
135 13 53	132 - 140	40 x 4.00	180	95	225	M10	4.85	95.5	1
135 14 53	139 - 147	40 x 4.00	187	99	232	M10	4.85	103.6	1
135 16 03	157 - 165	40 x 4.00	206	108	246	M10	4.85	109.0	1
135 16 83	165 - 170	40 x 4.00	211	110	255	M10	4.85	111.0	1
135 21 03	208 - 216	40 x 5.00	258	133	305	M10	8.6	146.0	1
135 21 93	216 - 224	40 x 5.00	268	137	315	M10	8.6	167.0	1
135 26 73	265 - 275	40 x 5.00	308	163	336	M10	8.6	195.0	1
135 32 63	322 - 333	40 x 5.00	374	190	412	M10	8.6	230.0	1


Sound Insulation value on average 22 dB (A)

PIPE & TUBE CLAMPS

UN4 - Industrial Light Duty Pipe Clamps [HG]

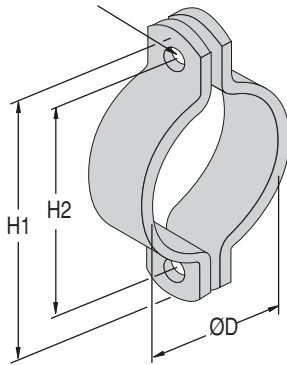


Working Load: 0.75 kN
Safety Factor: 2.5


Part No.	D	WxT	L1 mm	L2 mm	kg	
UN4-016	16	25x3	56	80	0.04	50
UN4-019	19	25x3	59	83	0.04	50
UN4-021	21	25x3	61	85	0.05	25
UN4-025	25	25x3	65	89	0.06	25
UN4-027	27	25x3	67	91	0.07	25
UN4-032	32	25x3	72	96	0.07	25
UN4-034	34	25x3	74	98	0.08	25
UN4-038	38	25x3	78	102	0.08	50
UN4-043	43	25x3	83	107	0.08	50
UN4-048	48	25x3	88	112	0.09	50
UN4-051	51	25x3	91	115	0.09	50
UN4-060	60	25x3	100	124	0.12	50
UN4-064	64	25x3	104	128	0.12	50
UN4-073	73	25x3	113	137	0.12	25
UN4-076	76	25x3	116	140	0.14	25
UN4-089	89	25x3	129	153	0.16	25
UN4-095	95	25x3	135	159	0.17	25
UN4-102	102	25x3	142	166	0.18	25
UN4-114	114	25x3	154	178	0.18	30
UN4-127	127	25x3	167	191	0.20	30
UN4-140	140	25x3	180	204	0.20	30
UN4-152	152	25x3	192	216	0.20	30
UN4-165	165	25x3	205	229	0.24	30

UN6 - Industrial Light Duty, Two-Piece Pipe Clamps [HG]

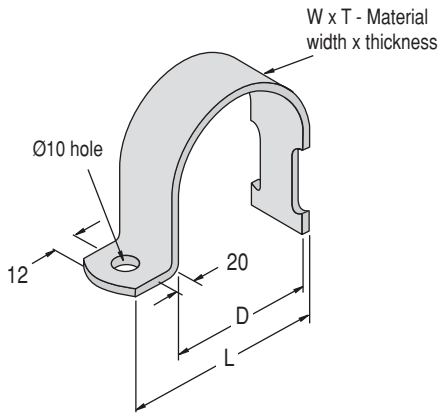
Ø10 holes for M8x30 bolts.
Nuts & Bolts included.



Working Load: 2.88 kN
Safety Factor: 2.5

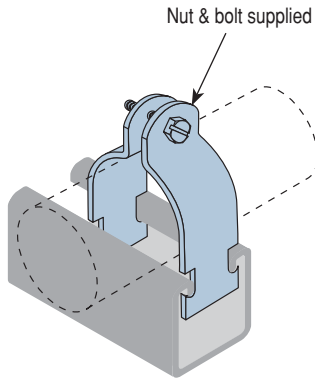
Part No.	ØD	WxT	H1 mm	H2 mm	kg	
UN6-019	19	25x3	83	59	0.10	25
UN6-021	21	25x3	85	61	0.10	25
UN6-025	25	25x3	89	65	0.11	25
UN6-027	27	25x3	91	67	0.11	25
UN6-032	32	25x3	96	72	0.14	25
UN6-034	34	25x3	98	74	0.14	25
UN6-038	38	25x3	102	78	0.15	25
UN6-043	43	25x3	107	83	0.15	25
UN6-048	48	25x3	112	88	0.15	25
UN6-051	51	25x3	115	91	0.15	25
UN6-060	60	25x3	124	100	0.15	25
UN6-064	64	25x3	128	104	0.19	25
UN6-073	73	25x3	137	113	0.19	25
UN6-076	76	25x3	140	116	0.19	25
UN6-089	89	25x3	153	129	0.21	25
UN6-102	102	25x3	166	142	0.23	25
UN6-114	114	25x3	178	154	0.26	25
UN6-127	127	25x3	191	167	0.28	25
UN6-140	140	25x3	204	180	0.31	25
UN6-152	152	25x3	216	192	0.33	25
UN6-165	165	25x3	229	205	0.37	25

UN10 – Industrial Light Duty Single Bolt Strut Clamp [ZP]

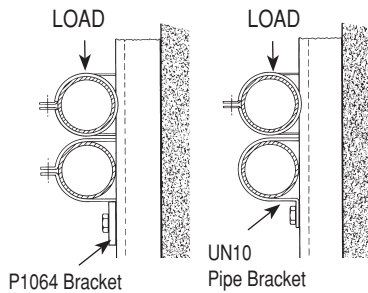


Part No.	D mm	L mm	W x T	kg
UN10-016	16	51	32 x 1.5	0.02
UN10-017	17	52	32 x 1.5	0.02
UN10-021	21	56	32 x 1.5	0.03
UN10-025	25	60	32 x 1.5	0.04
UN10-027	27	62	32 x 1.5	0.04
UN10-032	32	67	32 x 1.5	0.04
UN10-034	34	69	32 x 1.5	0.05
UN10-038	38	73	32 x 1.5	0.05
UN10-043	43	78	32 x 1.5	0.06
UN10-048	48	83	32 x 1.5	0.06
UN10-051	51	86	32 x 1.5	0.07
UN10-060	60	95	32 x 1.5	0.14
UN10-064	64	99	32 x 1.5	0.15
UN10-076	76	111	32 x 1.5	0.18
UN10-089	89	124	32 x 1.5	0.18
UN10-102	102	137	32 x 1.5	0.20
UN10-114	114	149	32 x 2.4	0.24
UN10-140	140	175	32 x 2.4	0.28
UN10-152	152	187	32 x 2.4	0.31
UN10-165	165	200	32 x 2.4	0.34

P2024 Series Pipe Clamps [ZP]



Also available in Hot Dipped Galvanised Finish.

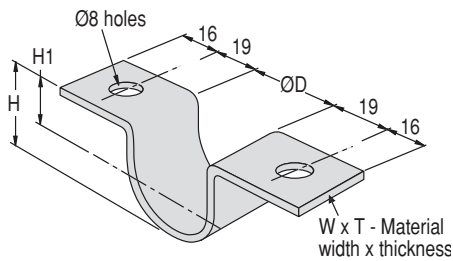


Note: When used in the application illustrated it is recommended that the lower clamp be supported against possible slippage. Where P2024 series clamps are restraining pipework subject to vibration, the use of P2600 Uni-cushion is recommended.

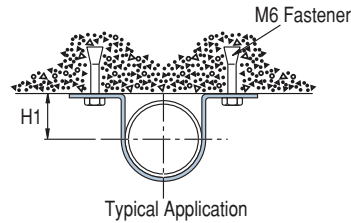
Part No GB	D mm	kg	Part No GB	D mm	kg
P2024	8	0.04	P2051	92	0.25
P2025	11	0.04	P2052	95	0.26
P2026	14	0.04	P2053	98	0.27
P2027	17	0.05	P2054	102	0.28
P2028	19	0.05	P2055	105	0.28
P2029	22	0.05	P2056	108	0.29
P2030	25	0.06	P2057	111	0.30
P2031	29	0.07	P2058	114	0.30
P2032	32	0.07	P2059	117	0.32
P2033	35	0.08	P2060	121	0.33
P2034	38	0.08	P2062	127	0.34
P2035	43	0.09	P2064	133	0.35
P2036	44	0.11	P2066	140	0.36
P2037	49	0.13	P2068	146	0.41
P2038	51	0.14	P2070	152	0.43
P2039	65	0.15	P2070-62	159	0.45
P2040	57	0.15	P2070-64	165	0.46
P2041	60	0.15	P2070-66	171	0.47
P2042	64	0.16	P2070-70	178	0.49
P2043	67	0.17	P2070-74	191	0.53
P2044	70	0.17	P2070-80	203	0.56
P2045	73	0.18	P2070-84	216	0.59
P2046	76	0.19	P2070-225	225	0.62
P2047	79	0.20	P2070-230	230	0.63
P2048	83	0.21	P2070-240	240	0.65
P2049	86	0.21	P2070-250	250	0.68
P2050	90	0.21	P2070-260	260	0.71

PIPE & TUBE CLAMPS

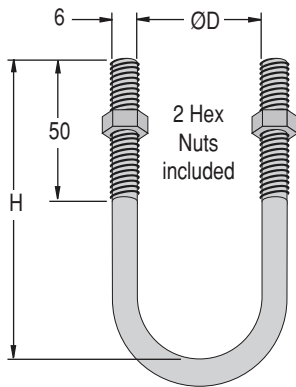
F31000 – Industrial Light Duty Pipe Saddle Clamps [ZP]



Part No	ØD	H	H1	WxT	kg
F31025	34	41	24.0	25 x 1.5	0.04
F31032	43	51	29.5	25 x 1.5	0.05
F30140	48	52	28.0	25 x 1.5	0.05
F31050	60	67	37.0	25 x 1.5	0.11

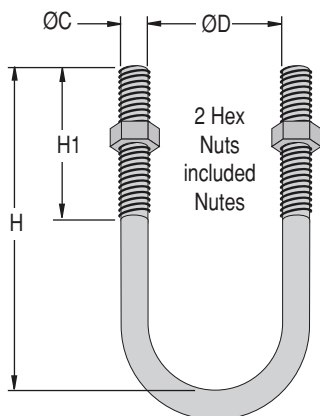


F41000 – "U" Bolts [ZP]



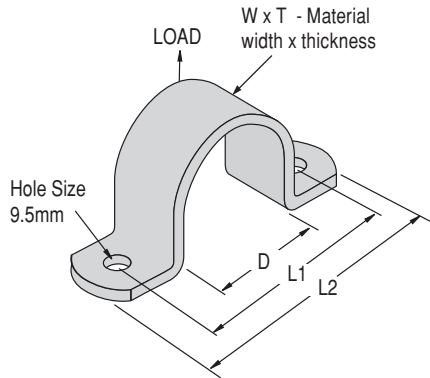
Part No	ØD	H mm	kg
F41034	34	85	0.03
F41043	43	93	0.03
F41048	48	100	0.04
F41060	60	110	0.06


UN14 – "U" Bolts [HG]



Part No	ØD	H mm	H1 mm	ØC mm	kg
UN14-021	21	65	50	10	0.09
UN14-027	27	77	50	10	0.10
UN14-034	34	85	50	10	0.12
UN14-043	43	93	50	10	0.13
UN14-048	48	100	50	10	0.14
UN14-051	51	103	50	10	0.14
UN14-060	60	110	50	10	0.16
UN14-076	76	127	50	12	0.28
UN14-089	89	140	50	12	0.30
UN14-102	102	152	50	12	0.35
UN14-114	114	165	50	12	0.38
UN14-140	140	190	50	12	0.40
UN14-165	165	215	50	12	0.44
UN14-168	168	220	50	12	0.48
UN14-219	219	295	75	16	1.13
UN14-273	273	370	100	20	2.20
UN14-324	324	420	100	20	2.52
UN14-356	356	455	100	20	2.74
UN14-406	406	505	100	20	3.05
UN14-457	457	555	100	24	4.87
UN14-508	508	605	100	24	5.32
UN14-610	610	710	100	24	6.28

UN15 – Industrial Medium Duty Saddle Clamp [HG]

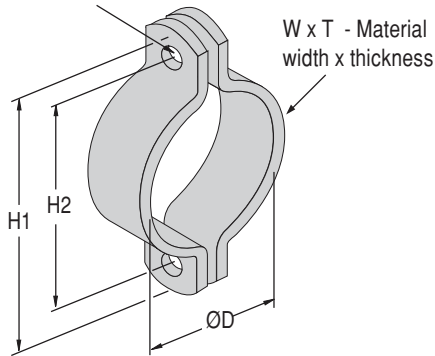


Part No.	D	L1	L2	WxT	Working Load	kg	
UN15-021	21	75	115	40x5	2.46kN	0.14	25
UN15-027	27	81	121	40x5	2.46kN	0.20	25
UN15-034	34	88	128	40x5	2.46kN	0.28	25
UN15-043	43	97	137	40x5	2.46kN	0.34	25
UN15-048	48	102	142	40x5	2.46kN	0.34	25
UN15-051	51	105	145	40x5	2.46kN	0.34	25
UN15-060	60	114	154	40x5	2.46kN	0.40	25
UN15-076	76	130	170	40x5	2.46kN	0.46	20
UN15-089	89	143	183	40x5	2.46kN	0.54	25
UN15-102	102	156	196	40x5	2.46kN	0.58	20
UN15-114	114	170	210	40x6	3.57kN	0.65	20
UN15-140	140	196	236	40x6	3.57kN	0.75	10
UN15-152	152	208	248	50x6	4.44kN	1.17	10
UN15-165	165	221	261	50x6	4.44kN	1.25	10
UN15-168	168	224	264	50x6	4.44kN	1.27	10
UN15-203	203	259	299	50x6	4.44kN	1.48	10
UN15-219	219	275	315	50x6	4.44kN	1.58	5


Safety Factor: 2.5

UN16 – Industrial Medium Duty, Two-Piece Pipe Clamp [HG]

Ø14 holes for M12x45 bolts.
Nuts & Bolts included.

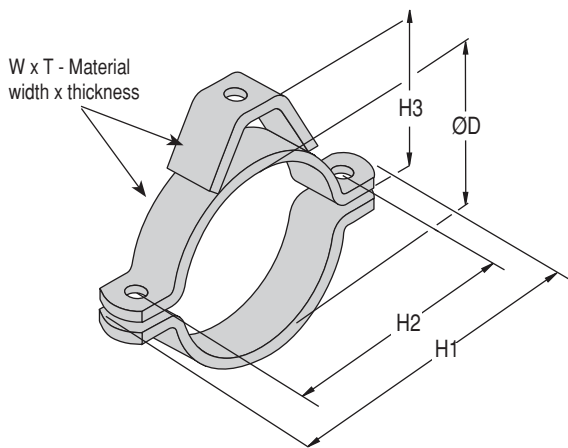


Working Load: 7.20 kN
Safety Factor: 2.5

Part No.	ØD	H1	H2	WxT	kg	
UN16-060	60	154	114	40x5	0.72	10
UN16-076	76	170	130	40x5	0.84	10
UN16-089	89	183	143	40x5	1.02	10
UN16-102	102	196	156	40x5	1.12	10
UN16-114	114	210	170	40x6	1.17	10
UN16-127	127	221	181	40x6	1.25	10
UN16-140	140	234	194	40x6	1.31	10
UN16-152	152	246	206	40x6	1.38	10
UN16-165	165	259	219	40x6	1.46	5
UN16-178	178	272	232	40x6	1.54	5
UN16-190	190	284	244	40x6	1.64	5
UN16-203	203	297	257	40x6	1.69	5
UN16-219	219	313	273	40x6	1.78	5
UN16-230	230	324	284	40x6	1.84	5
UN16-240	240	334	294	40x6	1.92	5
UN16-250	250	344	304	40x6	2.00	5
UN16-273	273	367	327	40x6	2.18	4
UN16-324	324	418	378	40x6	2.59	4

PIPE & TUBE CLAMPS

UN18 – Industrial Medium Duty, Two-Piece Pipe Clamps [HG]

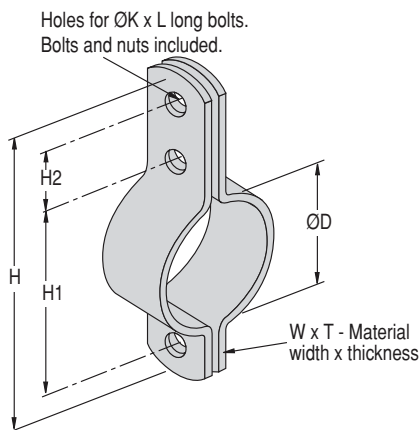


All sizes have a 14mm dia. hole to suit M12 x 45 bolts.
Nuts and bolts included.

Part No.	ØD	H1	H2	H3	WxT	kg
UN18-060	60	154	114	75	40x5	0.72
UN18-076	76	170	130	88	40x5	0.84
UN18-089	89	183	143	99	40x5	1.02
UN18-102	102	196	156	108	40x5	1.12
UN18-114	114	210	170	116	40x6	1.17
UN18-127	127	221	181	124	40x6	1.25
UN18-140	140	234	194	132	40x6	1.31
UN18-152	152	246	206	139	40x6	1.38
UN18-165	165	259	219	146	40x6	1.46
UN18-178	178	272	232	153	40x6	1.54
UN18-203	203	297	257	167	40x6	1.69
UN18-219	219	313	273	175	40x6	1.78
UN18-230	230	324	284	181	40x6	1.84

Safety Factor: 2.5

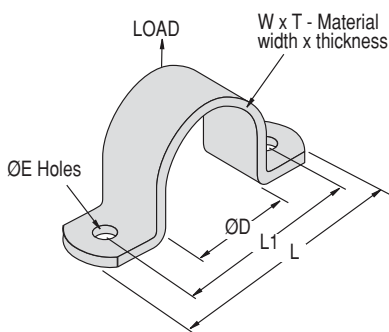
UN20 – Industrial Medium Duty, Three Bolt Pipe Clamp [HG]



Part No	ØD	H	H1	H2	W x T	ØK x L	Working Load	kg
UN20-021	21	159	71	48	25x5	M10x30	5.02kN	0.34
UN20-027	27	165	77	48	25x5	M10x30	5.02kN	0.36
UN20-034	34	176	88	48	40x6	M12x45	7.24kN	0.58
UN20-043	43	185	97	48	40x6	M12x45	7.24kN	0.62
UN20-048	48	190	102	48	40x6	M12x45	7.24kN	0.64
UN20-060	60	210	122	48	50x6	M16x50	11.52kN	1.57
UN20-076	76	226	138	48	50x6	M16x50	11.52kN	1.69
UN20-089	89	239	151	48	50x6	M16x50	11.52kN	1.79
UN20-114	114	339	200	75	75x10	M20x60	20.10kN	5.17
UN20-140	140	365	226	75	75x10	M20x60	20.10kN	5.65
UN20-165	165	390	251	75	75x10	M20x60	20.10kN	6.13
UN20-219	219	444	305	75	75x10	M24x60	28.80kN	7.83
UN20-273	273	498	359	75	75x10	M24x60	28.80kN	8.83
UN20-324	324	549	410	75	75x10	M24x60	28.80kN	9.77
UN20-356	356	628	464	100	75x16	M30x80	45.18kN	17.04
UN20-406	406	678	514	100	75x16	M30x80	45.18kN	18.5
UN20-457	457	763	587	100	75x20	M36x100	45.18kN	24.95
UN20-508	508	814	638	100	75x20	M36x100	45.18kN	26.83
UN20-610	610	916	740	100	75x20	M36x100	45.18kN	30.61

Safety Factor: 2.5

UN30 – Industrial Medium/Heavy Duty, Saddle Clamp [HG]

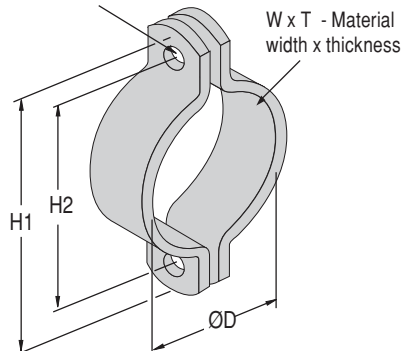


Part No	ØD	L1	L	ØE	W x T	Working Load	kg
UN30-168	168	260	324	22	75x10	10.87kN	3.22
UN30-219	219	310	375	22	75x10	10.87kN	4.21
UN30-273	273	364	428	22	75x10	10.87kN	4.81
UN30-324	324	415	479	22	75x10	10.87kN	5.80
UN30-356	356	447	511	22	75x10	10.87kN	6.10
UN30-406	406	497	561	26	90x12	18.78kN	9.90
UN30-457	457	548	612	26	90x12	18.78kN	11.00
UN30-508	508	600	663	26	90x12	18.78kN	12.12

Safety Factor: 2.5

UN31 – Industrial Medium/Heavy Duty, Two-Piece Pipe Clamp [HG]

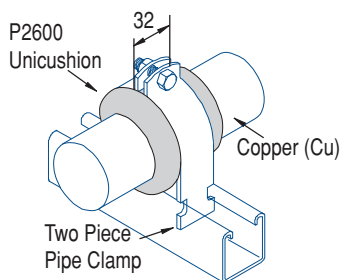
Holes for ØK x L long bolts.
Nuts & Bolts included.



Part No	ØD	H1	H2	W x T	ØK x L	Working Load	kg
UN31-168	168	318	254	75x10	M20 x 60	20.10kN	5.00
UN31-219	219	369	305	75x10	M20 x 60	20.10kN	6.00
UN31-273	273	423	359	75x10	M20 x 60	20.10kN	7.00
UN31-324	324	474	410	75x10	M20 x 60	20.10kN	8.00
UN31-356	356	512	448	75x12	M24 x 75	28.93kN	11.00
UN31-406	406	562	498	75x12	M24 x 75	28.93kN	12.00
UN31-457	457	629	565	75x16	M30 x 90	45.18kN	19.00
UN31-508	508	680	616	75x16	M30 x 90	45.18kN	20.00
UN31-610	610	782	718	75x16	M30 x 90	45.18kN	23.00

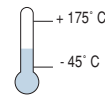
Safety Factor: 2.5

P2600 Unicushion

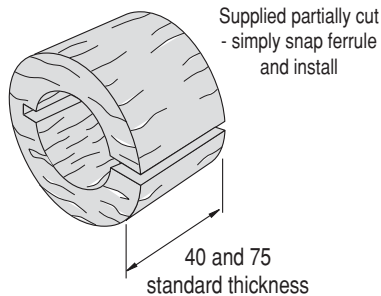


- Shock absorption
- Protection from corrosion and abrasion
- Allowance for expansion and contraction
- Sound and vibration isolation
- Stability in use from -45°C to +175°C
- Flexible elastomer material
- Packaged in handy 7.6m dispenser pack

Part No.	W mm	T mm	Dispenser Pack Length	kg
P2600	32	2.0	7.6m	1.7



UN60 Series – Timber Ferrules



UN60 SERIES TIMBER FERRULES	
Material:	Structural Plywood Machine Planed both sides Partially rip cut
Sizes:	Nominate series, thickness, inside and outside diameters. eg: UN60-40-43x95
Density Grade:	F7

Pipe Size	NB	Lagging Thickness		
		25mm I.D. x O.D.	38mm Ferrule Size I.D. x O.D.	50mm I.D. x O.D.
13 O.D.		13 x 64	13 x 89	13 x 114
16 O.D.		16 x 64	16 x 89	16 x 114
19 O.D.		19 x 73	19 x 95	19 x 120
21 O.D.	15	21 x 73	21 x 102	21 x 120
25 O.D.		25 x 76	25 x 102	25 x 127
27 O.D.	20	27 x 76	27 x 102	27 x 127
32 O.D.		32 x 76	32 x 114	32 x 140
34 O.D.	25	34 x 89	34 x 114	34 x 140
38 O.D.		38 x 89	38 x 114	38 x 140
43 O.D.	32	43 x 95	43 x 114	43 x 140
48 O.D.	40	48 x 102	48 x 127	48 x 152
51 O.D.		51 x 102	51 x 127	51 x 152
60 O.D.	50	60 x 114	60 x 140	60 x 165
64 O.D.		64 x 114	64 x 140	64 x 165
76 O.D.	65	76 x 127	76 x 152	76 x 178
89 O.D.	80	89 x 140	89 x 165	89 x 190
102 O.D.		102 x 152	102 x 178	102 x 203
114 O.D.	100	114 x 165	114 x 190	114 x 216
127 O.D.		127 x 178	127 x 203	127 x 230
140 O.D.	125	140 x 190	140 x 219	140 x 240
152 O.D.		152 x 203	152 x 230	152 x 250
165 O.D.	150	165 x 219	165 x 240	165 x 273
168 O.D.		168 x 219	168 x 240	168 x 273
203 O.D.		203 x 250	203 x 273	203 x 324
219 O.D.		219 x 273	219 x 295	219 x 324
273 O.D.		273 x 324	273 x 356	273 x 368

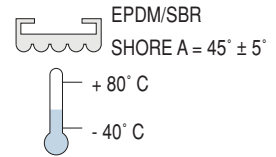
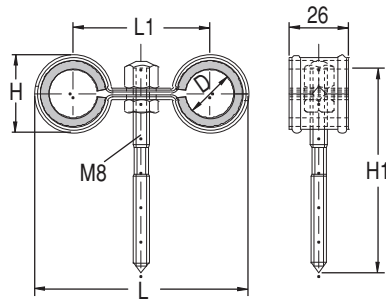
Note: Ferrule O.D.'s shown are preferred to suit existing pipe clamps.

PIPE & TUBE CLAMPS

DCWT – Double Pipe Clips with foam rubber insulation [ZP]

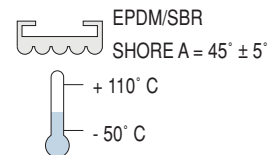
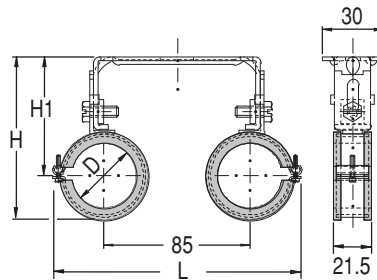


With bolt screw 90mm



Part No. H1 = 90mm	D in	D mm	L1 mm	H mm	L mm	kg /100	
121 12 13	-	12	59	25	85	9.9	50
121 15 13	-	15	60	27	88	10.6	50
121 18 13	3/8"	18	61	30	90	10.9	50
121 22 13	1/2"	22	60	34	94	11.6	50
121 28 13	3/4"	28	60	40	100	12.5	50

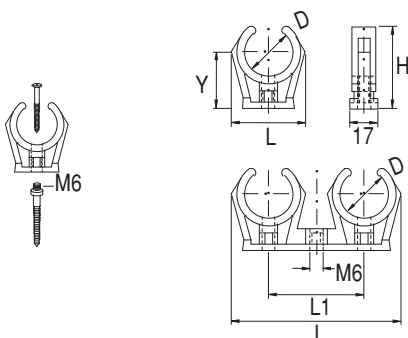
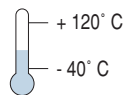
DC – Double Pipe Clips with Insulation [ZP]



Part No.	D in	D mm	Fmax N	H mm	H1 mm	L mm	kg /100	
118 12 76	-	12	600	65-82	52-69	115	15.2	50
118 15 76	-	15	600	68-85	55-72	116	15.4	50
118 18 76	3/8"	18	600	71-88	58-75	121	15.7	50
118 22 76	1/2"	22	600	75-92	62-79	124	16.2	50
118 28 76	3/4"	28	600	81-98	68-85	130	18.3	50

Plastic Snap Clip [PP]

Polypropylene - with brass thread insert M6



Plastic Snap Clip - Single Clip

Part No.	D	L1 mm	Y mm	H mm	L mm	kg /100	
112 08 16	8	-	14	19	15	0.3	100
112 10 16	10	-	15	21	18	0.3	100
112 12 16	12	-	16	23	22	0.4	100
112 15 16	14-15	-	18	27	25	0.5	100
112 18 16	16-18	-	23	33	29	0.6	100

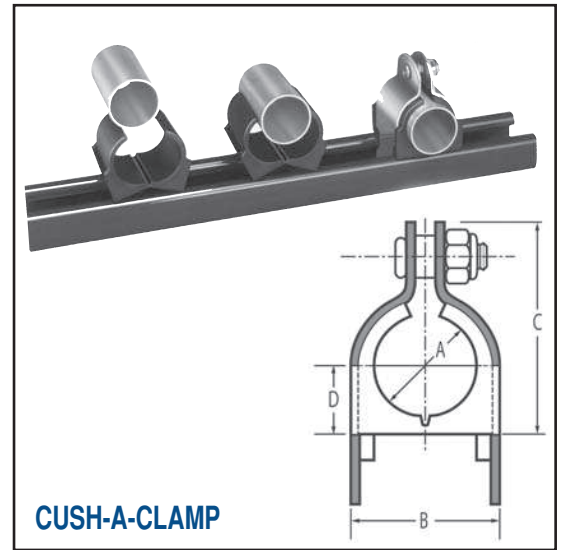
Plastic Snap Clip - Double Clip

Part No.	D	L1 mm	Y mm	H mm	L mm	kg /100	
112 08 26	8	25	14	19	40	0.5	100
112 10 26	10	29	15	21	47	0.7	100
112 12 26	12	33	16	23	55	0.8	100
112 15 26	14-15	36	18	27	60	0.9	100
112 18 26	16-18	39	23	33	67	1.2	100

Cush-a-Clamp®

Tube Series Assembly

Part No.	Copper & Steel Tube OD Size	Copper Water Pipe (Nominal)	Dimensions				kg /100
			"A" (mm)	"B" (mm)	"C" (mm)	"D" (mm)	
004T008	1/4"		6.4	15.7	24.9	6.9	4.5
006T010	3/8"	1/4"	9.4	20.8	28.7	8.4	5.0
008T012	1/2"	3/8"	12.7	23.9	34.0	10.2	5.9
010T014	5/8"	1/2"	15.7	26.9	39.1	11.7	6.4
012T016	3/4"	5/8"	19.1	30.5	42.7	13.2	6.4
014T018	7/8"	3/4"	22.1	33.3	46.2	14.7	6.8
016T020	1"		25.4	36.6	49.5	16.5	7.7
018T022	1-1/8"	1"	28.4	39.9	52.8	17.8	8.2
020T024	1-1/4"		31.8	43.2	56.1	19.6	8.2
022T026	1-3/8"	1-1/4"	34.8	46.2	59.4	21.1	9.1
024N028	1-1/2"		38.1	49.5	62.7	22.9	15.0
026N030	1-5/8"	1-1/2"	41.1	52.6	66.0	24.4	15.9
028N032	1-3/4"		44.5	55.9	69.3	25.9	16.8
030N034	1-7/8"		47.5	58.9	72.6	27.7	17.7
032N036	2"		50.8	62.2	77.2	29.2	20.9
034N040	2-1/8"		53.8	65.3	82.0	32.3	21.3
038N044	2-3/8"		60.2	71.6	93.2	35.8	22.2
040N046	2-1/2"		63.5	74.7	96.3	37.1	23.1
042N048	2-5/8"		66.5	78.0	99.6	38.9	24.9
046N052	2-7/8"		72.9	84.3	105.9	42.2	25.9
050N054	3"		76.2	90.7	112.3	45.2	27.2
050N056	3-1/8"		79.2	90.7	112.3	45.2	27.2
053N060	3-5/16"		84.1	100.6	120.7	48.3	28.1
056N062	3-1/2"		88.9	100.3	121.7	50.0	24.9
058N064	3-5/8"		91.9	106.7	126.7	51.6	31.8
064N072	4"		101.6	113.0	137.7	57.9	39.9
066N074	4-1/8"		104.6	116.1	140.7	59.4	42.6
069N076	4-5/16"		110.2	126.0	148.3	61.0	45.4
072N080	4-1/2"		114.3	125.7	150.4	64.3	49.9
082N090	5-1/8"		130.0	141.5	166.1	72.1	56.7
098N106	6-1/8"		155.4	166.9	191.5	84.8	59.0

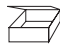


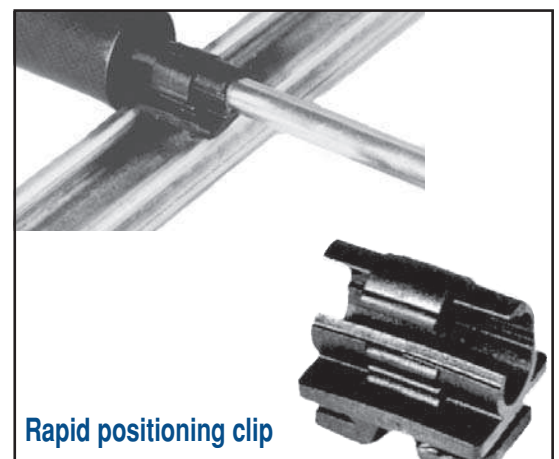
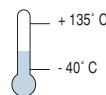
Pipe Series Assembly

Part No.	Nominal Pipe Size	Dimensions				kg /100
		"A" (mm)	"B" (mm)	"C" (mm)	"D" (mm)	
009N012	1/4"	13.7	24.9	34.0	10.9	5.9
011N014	3/8"	17.0	28.7	39.1	12.4	6.4
014N018	1/2"	21.3	32.8	46.2	14.7	6.8
017N022	3/4"	26.7	38.1	49.5	17.8	7.7
021N026	1"	33.3	44.7	59.4	20.6	8.6
027N032	1-1/4"	42.2	55.1	69.3	25.1	15.9
030N034	1-1/2"	48.3	59.7	72.6	27.7	17.7
038N044	2"	60.2	71.6	93.2	35.8	22.2
046N052	2-1/2"	72.9	84.3	105.9	42.2	25.9
056N062	3"	88.9	100.3	121.7	50.0	24.9
064N072	3-1/2"	101.6	113.0	137.7	57.9	39.9
072N080	4"	114.3	125.7	150.4	64.3	49.9

Pipe & Tube Clamps

Rapid Positioning Clip

Part No.	Tube Size	
RPC-6	3/8"	5
RPC-8	1/2"	5
RPC-10	5/8"	5
RPC-12	3/4"	5
RPC-14	7/8"	5
RPC-18	1-1/8"	5



PIPE WEIGHTS

Copper Tube

Nom. Size	Actual Size O.D.	Mass of Pipe Kg/m	Mass of Pipe filled with water kg/m
15	12.7 x 0.9	0.30	0.39
18	15.9 x 1.0	0.43	0.58
20	19.1 x 1.0	0.52	0.75
25	25.4 x 1.2	0.83	1.25
32	31.8 x 1.2	1.05	1.72
40	38.1 x 1.2	1.27	2.27
45	44.5 x 1.2	1.48	2.87
50	50.8 x 1.2	1.70	3.57
65	63.5 x 1.2	2.14	5.07
80	76.2 x 1.6	3.42	7.60
90	88.9 x 1.6	4.00	9.76
100	101.6 x 1.6	4.58	12.18
125	127.0 x 1.6	5.74	17.77
150	152.4 x 2.0	8.58	25.86
175	177.8 x 2.0	10.03	33.74
200	203.2 x 2.0	11.48	42.63

Pressure Pipe – ANSI Sch 80 - API XS (up to 200 NS)

Nom. Size	Actual Size O.D x Wall.	Mass of Pipe Kg/m	Mass of Pipe filled with water kg/m
8	13.7 x 3.02	0.80	0.85
10	17.1 x 3.20	1.10	1.19
15	21.3 x 3.73	1.62	1.77
20	26.7 x 3.91	2.20	2.47
25	33.4 x 4.55	3.24	3.69
32	42.1 x 4.85	4.47	5.20
40	48.2 x 5.10	5.41	6.55
50	60.3 x 5.54	7.50	9.40
65	73.0 x 7.01	11.41	14.14
80	88.9 x 7.62	15.27	19.40
90	101.6 x 8.10	18.63	24.36
100	114.3 x 8.56	22.32	29.73
125	141.3 x 9.53	30.97	42.69
150	168.3 x 11.00	42.56	59.38
200	219.1 x 12.70	64.50	93.90
250	273.1 x 15.09	95.80	142.10
300	323.8 x 17.49	131.80	197.30
350	355.6 x 19.05	159.20	235.40
400	406.4 x 21.44	203.90	306.60
450	457.2 x 23.88	254.55	386.20
500	508.0 x 26.19	311.17	473.80
600	609.6 x 30.96	442.08	677.40

Pressure Pipe – ANSI Sch 40 - API Std. Wt. (up to 250 NS)

Nom. Size	Actual Size O.D. x Wall	Mass of Pipe Kg/m	Mass of Pipe filled with water kg/m
8	13.7 x 2.24	0.63	0.69
10	17.1 x 2.31	0.90	1.00
15	21.3 x 2.77	1.27	1.30
20	26.7 x 2.87	1.68	2.00
25	33.4 x 3.38	2.50	3.06
32	42.1 x 3.56	3.38	4.35
40	48.2 x 3.68	4.05	5.37
50	60.3 x 3.91	5.44	7.50
65	73.0 x 5.16	8.63	11.71
80	88.9 x 5.49	11.29	15.90
90	101.6 x 5.74	13.50	19.80
100	114.3 x 6.02	16.07	24.28
125	141.3 x 6.55	21.77	34.69
150	168.3 x 7.11	28.26	46.80
200	219.1 x 8.18	42.55	74.61
250	273.0 x 9.27	60.20	110.90
300	323.8 x 10.31	75.90	151.90
350	355.6 x 11.10	93.70	180.70
400	406.4 x 12.70	123.50	237.30
450	457.2 x 14.27	156.20	300.80
500	508.0 x 15.10	183.00	361.80
600	609.6 x 17.48	254.50	513..70

Galvanised Pipe

Nom. Size N.B. Med.	Actual Size O.D. x Wall	Mass of Pipe Kg/m	Mass of Pipe filled with water kg/m
8	13.5 x 2.3	0.68	0.74
10	17.2 x 2.3	0.89	1.01
15	21.3 x 2.6	1.27	1.47
20	26.9 x 2.6	1.65	2.02
25	33.7 x 3.2	2.52	3.11
32	42.4 x 3.2	3.24	4.26
40	48.3 x 3.2	3.73	5.11
50	60.3 x 3.6	5.24	7.46
65	76.1 x 3.6	6.69	10.42
80	88.9 x 4.0	8.68	13.82
100	114.3 x 4.5	12.4	21.11
125	139.7 x 4.9	16.5	29.75
150	165.1 x 4.9	19.6	38.55

PVC Pressure Pipe - Class 12

Nom. Size	Actual Size O.D. x Wall	Mass of Pipe Kg/m	Mass of Pipe filled with water kg/m
15	21.2 x 1.5	0.14	0.40
20	26.6 x 1.6	0.20	0.63
25	33.4 x 1.9	0.30	0.99
32	42.2 x 2.4	0.40	1.50
40	48.1 x 2.8	0.60	2.02
50	60.2 x 3.4	0.90	3.14
65	75.2 x 4.2	1.40	4.90
80	88.7 x 5.0	1.90	6.76
100	114.1 x 6.3	3.10	11.19
125	140.0 x 7.7	4.60	16.79
150	160.0 x 8.8	6.10	22.03
200	225.0 x 11.1	10.80	34.10

PVC Pressure Pipe - Class 6

Nom. Size	Actual Size O.D. x Wall	Mass of Pipe Kg/m	Mass of Pipe filled with water kg/m
40	48.1 x 1.6	0.30	1.88
50	60.2 x 1.8	0.50	3.02
65	75.2 x 2.2	0.70	4.64
80	88.7 x 2.6	1.00	6.48
100	114.1 x 3.3	1.60	10.68
125	140.0 x 4.0	2.50	16.18
150	160.0 x 4.5	3.20	21.11
200	225.0 x 5.8	5.70	41.47

Cast Iron Pipes – Class K9

Nominal Size	Actual Size O.D. x Wall	Mass of Pipe Kg/m	Pipe and Water Kg/m	Concrete Lining Thickness	Mass of Lined Pipe Kg/m	Mass of Lined Pipe and Water Kg/m
80	95.5 x 6.0	12.36	17.84	6.0	15.64	19.66
100	121.9 x 6.1	16.55	26.00	6.0	21.09	28.59
150	177.3 x 6.3	25.09	46.39	6.0	31.82	50.13
200	232.2 x 6.4	34.18	71.89	8.0	46.18	78.67
225	259.1 x 6.6	39.45	86.94	8.0	52.91	94.42
250	286.0 x 6.8	44.73	103.00	8.0	60.00	111.63
300	345.4 x 7.2	57.09	143.24	10.0	81.45	157.42
375	426.2 x 7.9	79.27	211.55	10.0	109.45	229.15
400	507.0 x 8.6	107.82	290.24	10.0	138.73	312.08
500	560.3 x 9.0	117.82	347.95	10.0	158.91	373.16