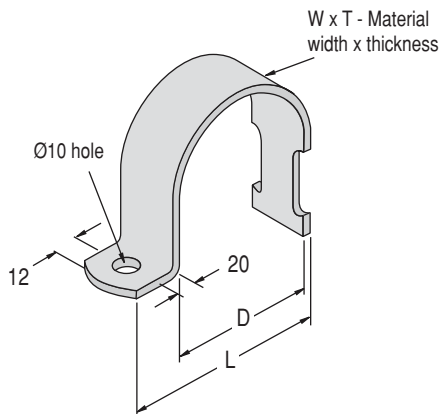
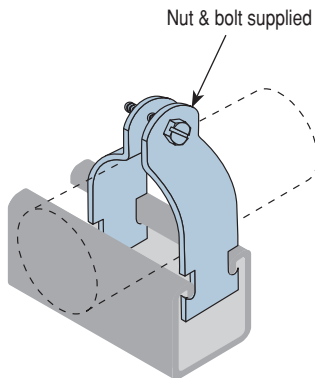


**UN10 – Industrial Light Duty Single Bolt Strut Clamp [ZP]**

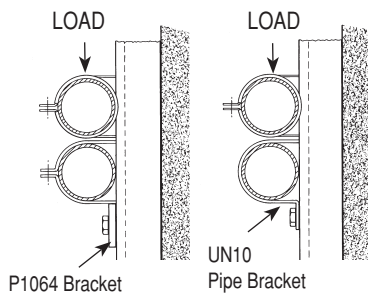


Part No.	D mm	L mm	W x T	kg
UN10-016	16	51	32 x 1.5	0.02
UN10-017	17	52	32 x 1.5	0.02
UN10-021	21	56	32 x 1.5	0.03
UN10-025	25	60	32 x 1.5	0.04
UN10-027	27	62	32 x 1.5	0.04
UN10-032	32	67	32 x 1.5	0.04
UN10-034	34	69	32 x 1.5	0.05
UN10-038	38	73	32 x 1.5	0.05
UN10-043	43	78	32 x 1.5	0.06
UN10-048	48	83	32 x 1.5	0.06
UN10-051	51	86	32 x 1.5	0.07
UN10-060	60	95	32 x 1.5	0.14
UN10-064	64	99	32 x 1.5	0.15
UN10-076	76	111	32 x 1.5	0.18
UN10-089	89	124	32 x 1.5	0.18
UN10-102	102	137	32 x 1.5	0.20
UN10-114	114	149	32 x 2.4	0.24
UN10-140	140	175	32 x 2.4	0.28
UN10-152	152	187	32 x 2.4	0.31
UN10-165	165	200	32 x 2.4	0.34

**P2024 Series Pipe Clamps [ZP]**



Also available in Hot Dipped Galvanised Finish.



Note: When used in the application illustrated it is recommended that the lower clamp be supported against possible slippage. Where P2024 series clamps are restraining pipework subject to vibration, the use of P2600 Uni-cushion is recommended.

Part No GB	D mm	kg	Part No GB	D mm	kg
P2024	8	0.04	P2051	92	0.25
P2025	11	0.04	P2052	95	0.26
P2026	14	0.04	P2053	98	0.27
P2027	17	0.05	P2054	102	0.28
P2028	19	0.05	P2055	105	0.28
P2029	22	0.05	P2056	108	0.29
P2030	25	0.06	P2057	111	0.30
P2031	29	0.07	P2058	114	0.30
P2032	32	0.07	P2059	117	0.32
P2033	35	0.08	P2060	121	0.33
P2034	38	0.08	P2062	127	0.34
P2035	43	0.09	P2064	133	0.35
P2036	44	0.11	P2066	140	0.36
P2037	49	0.13	P2068	146	0.41
P2038	51	0.14	P2070	152	0.43
P2039	65	0.15	P2070-62	159	0.45
P2040	57	0.15	P2070-64	165	0.46
P2041	60	0.15	P2070-66	171	0.47
P2042	64	0.16	P2070-70	178	0.49
P2043	67	0.17	P2070-74	191	0.53
P2044	70	0.17	P2070-80	203	0.56
P2045	73	0.18	P2070-84	216	0.59
P2046	76	0.19	P2070-225	225	0.62
P2047	79	0.20	P2070-230	230	0.63
P2048	83	0.21	P2070-240	240	0.65
P2049	86	0.21	P2070-250	250	0.68
P2050	90	0.21	P2070-260	260	0.71