



Xenon Beacon (Strobe) 230V AC - Red Lens. 1.4 Joule Light Energy

- Complete visual signalling range from high efficiency static or flashing LED's to high discharge Xenon beacons to rotating parabolic reflector beacons, we have the solution suitable for your application.
- Available in a variety of frame sizes and with accessories such as protective cages and brackets to cater to your mounting requirements.
- Multiple colour varieties available including Red, Green, Amber and Blue to convey whichever message is required.

Representative Photo Only
(actual product may vary based on configuration selections)

SPECIFICATIONS

Indication Mode(s)	Sight
Lamp Type	Xenon type
Colour, Lamp	Red colour
Illumination Mode	Flashing
Speed, Flash	60 per min
Lamp Power, Max	3 W max
Un, Nominal Operational Voltage, AC	230 V AC
Ie, Rated Operational Current, nom	0.015 A,nom
Ie, Rated Operational Current, nom	0.015 A,nom
Material, Body / Housing	PC (Polycarbonate) material
Connection / Termination	Screw Terminal(s)
IP Rating	IP65
Mounting (Multiple)	Ceiling Mount Wall Mount
Weight	0.14 kg
Operating Temperature, Min	-20 °C min
Operating Temperature, Max	40 °C max

Catalogue No: **KL3066R**

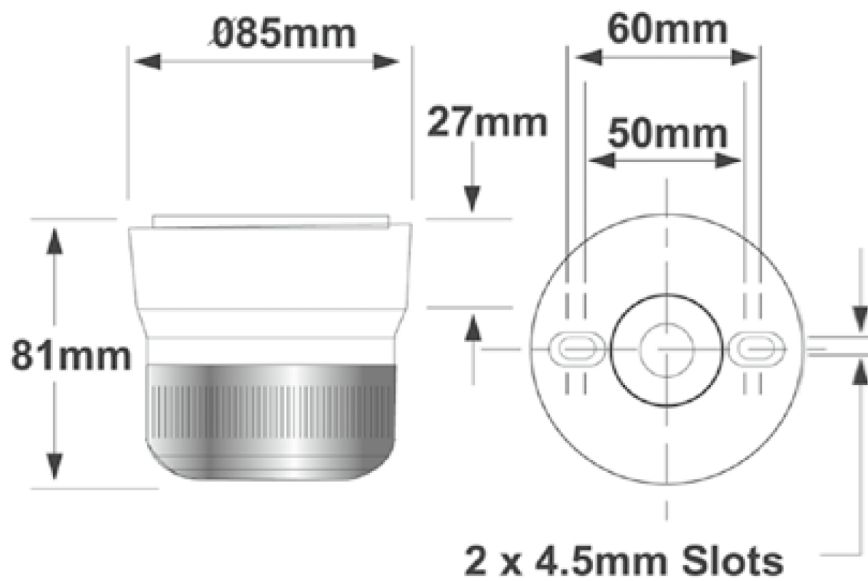
BEACON XENON 230VAC STROBE 3 JOULE RED (2 PIECE)

Signalling Devices > Sight Indication > Beacons > Moflash Beacons > Xenon Beacons > Flashguard Xenon Beacons



REFERENCES	
IECEX Certificate	-
Supplier Declaration of Conformity:	-
Installation Guide:	-
User Manual:	-
Manufacturer Datasheet:	KL3066R_ManufacturerDatasheet
Manufacturer Catalogue & Product Selection:	-

Standard and Fire Style



Dimension Diagram