



Representative Photo Only
(actual product may vary based on configuration selections)

LED Beacon (Strobe or Static) 11-35V DC - Amber Lens

- Complete visual signalling range from high efficiency static or flashing LED's to high discharge Xenon beacons to rotating parabolic reflector beacons, we have the solution suitable for your application.
- Available in a variety of frame sizes and with accessories such as protective cages and brackets to cater to your mounting requirements.
- Multiple colour varieties available including Red, Green, Amber and Blue to convey whichever message is required.

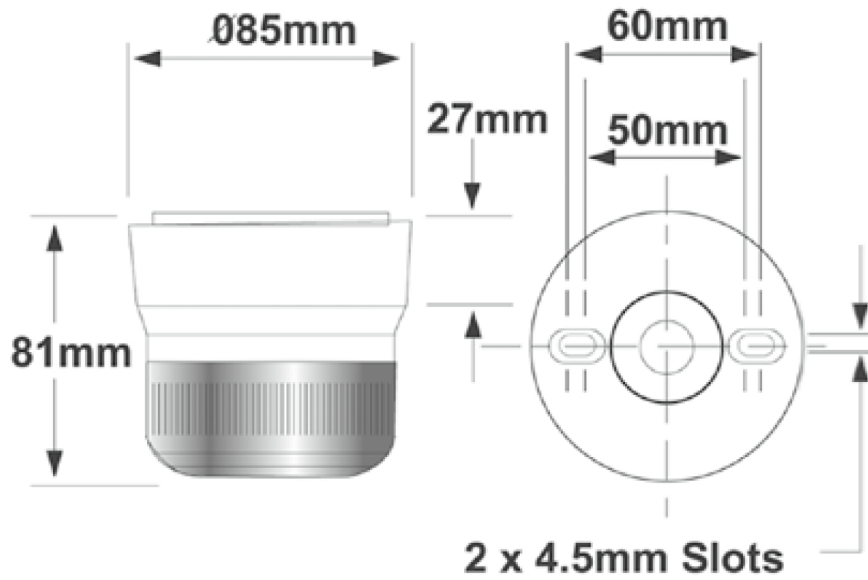
SPECIFICATIONS

Indication Mode(s)	Sight
Lamp Type	LED type
Colour, Lamp	Amber colour
Illumination Mode	Steady / Flashing
Speed, Flash	60 per min
Un, Nominal Operational Voltage, DC	12 V DC
Ie, Rated Operational Current, nom	0.05 A,nom
Ie, Rated Operational Current, nom	0.05 A,nom
Material, Body / Housing	PC (Polycarbonate) material
Connection / Termination	Screw Terminal(s)
IP Rating	IP65
Mounting (Multiple)	Ceiling Mount Wall Mount
Weight	0.14 kg
Operating Temperature, Min	-20 °C min
Operating Temperature, Max	70 °C max

REFERENCES

IECEX Certificate	-
Supplier Declaration of Conformity:	-
Installation Guide:	-
User Manual:	-
Manufacturer Datasheet:	KL3062A_ManufacturerDatasheet
Manufacturer Catalogue & Product Selection:	-

Standard and Fire Style



Dimension Diagram