



Point I/O Module Bases W/ Removable IEC Screw Terminals



- Modular design lets you independently select the I/O, termination style and network interface
- Modules slide together for easy install and uninstall for easier maintenance
- Removable wiring system saves time and money during installation and troubleshooting
- Diagnostic and configurable features makes POINT I/O™ easy to apply
- Removal and Insertion Under Power (RIUP) lets you replace modules while the system is in operation
- Mount horizontally or vertically, with no de-rating required
- Auto Device Replacement (ADR) reduces downtime
- Add-On-Profiles in the Studio 5000® (formerly RS Logix™ 5000) Logix designer application provide smooth integration into Integrated Architecture systems

Representative Photo Only  
(actual product may vary based on configuration selections)

**SPECIFICATIONS**

Product Series	Point I/O (Bul. 1734)
Component Type Fieldbus I/O	Accessories
Operating Temperature, Max	55 °C max
Operating Temperature, Min	-20 °C min
Storage Temperature, Max	85 °C max
Storage Temperature, Min	-40 °C min
Relative Humidity, Max	95 %RH
Humidity Type	Non-condensing

**REFERENCES**

IECEX Certificate	-
Supplier Declaration of Conformity:	-
Installation Guide:	-
User Manual:	-
Manufacturer Datasheet:	-
Manufacturer Catalogue & Product Selection:	-

Catalogue No: **1734-TB**

**POINT I/O TERMINAL BASE W/ TERMINAL BLOCK 8POINT SCREW**

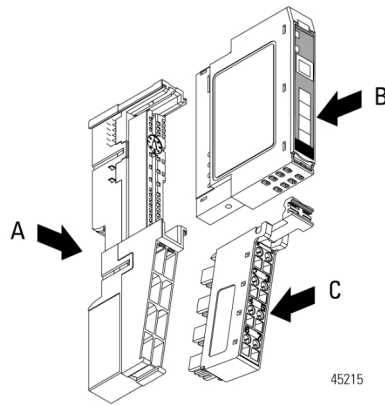
Automation Systems > Distributed I/O and Signal Converters > Fieldbus I/O Systems > Allen-Bradley Point I/O™ > POINT I/O™ Terminal Bases and Accessories



Catalogue No: **1734-TB**

**POINT I/O TERMINAL BASE W/ TERMINAL BLOCK 8POINT SCREW**

Automation Systems > Distributed I/O and Signal Converters > Fieldbus I/O Systems > Allen-Bradley Point I/O™ > POINT I/O™ Terminal Bases and Accessories



Technical Diagram